



Chipsmall Limited consists of a professional team with an average of over 10 year of expertise in the distribution of electronic components. Based in Hongkong, we have already established firm and mutual-benefit business relationships with customers from,Europe,America and south Asia,supplying obsolete and hard-to-find components to meet their specific needs.

With the principle of “Quality Parts,Customers Priority,Honest Operation,and Considerate Service”,our business mainly focus on the distribution of electronic components. Line cards we deal with include Microchip,ALPS,ROHM,Xilinx,Pulse,ON,Everlight and Freescale. Main products comprise IC,Modules,Potentiometer,IC Socket,Relay,Connector.Our parts cover such applications as commercial,industrial, and automotives areas.

We are looking forward to setting up business relationship with you and hope to provide you with the best service and solution. Let us make a better world for our industry!



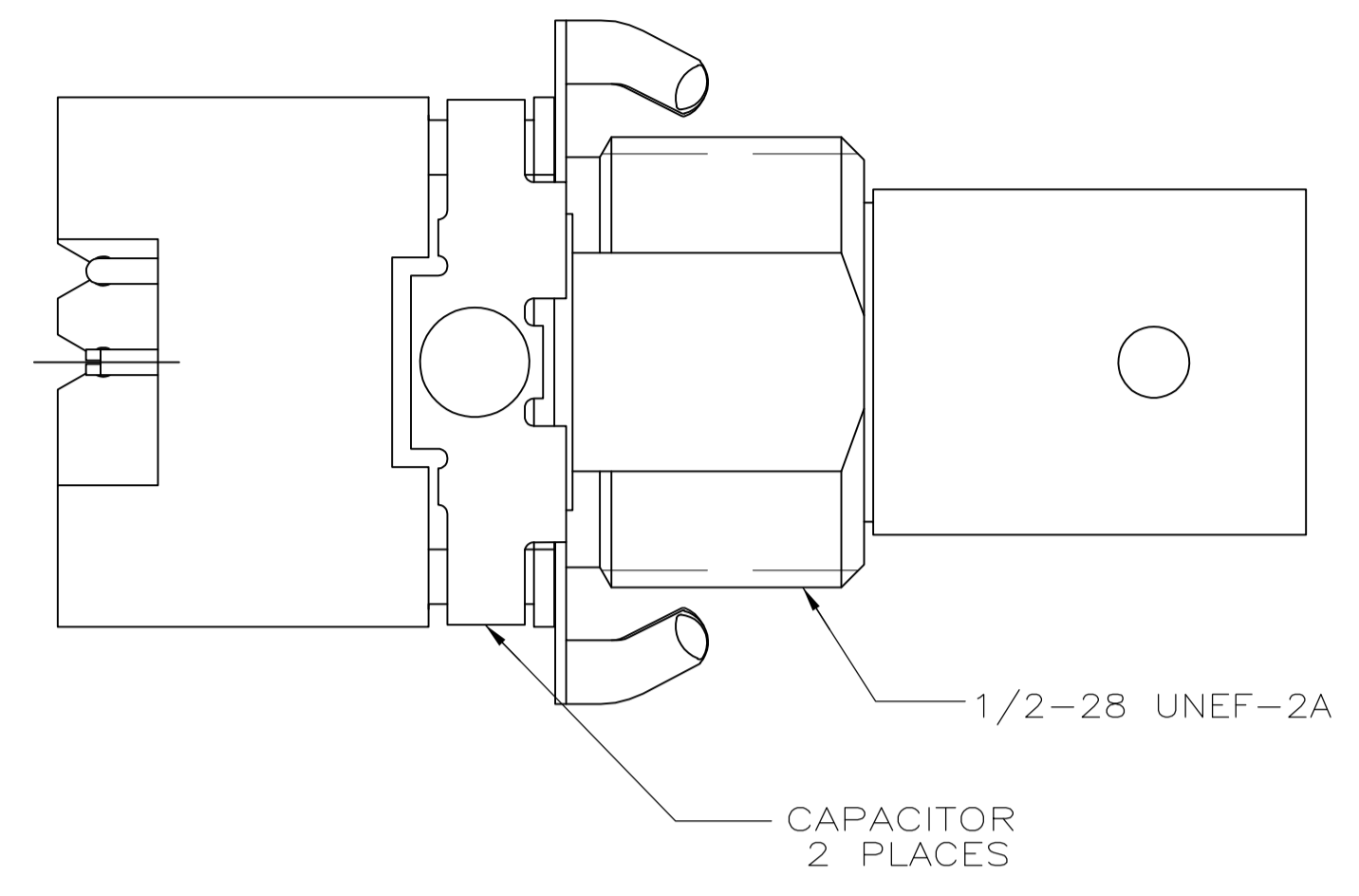
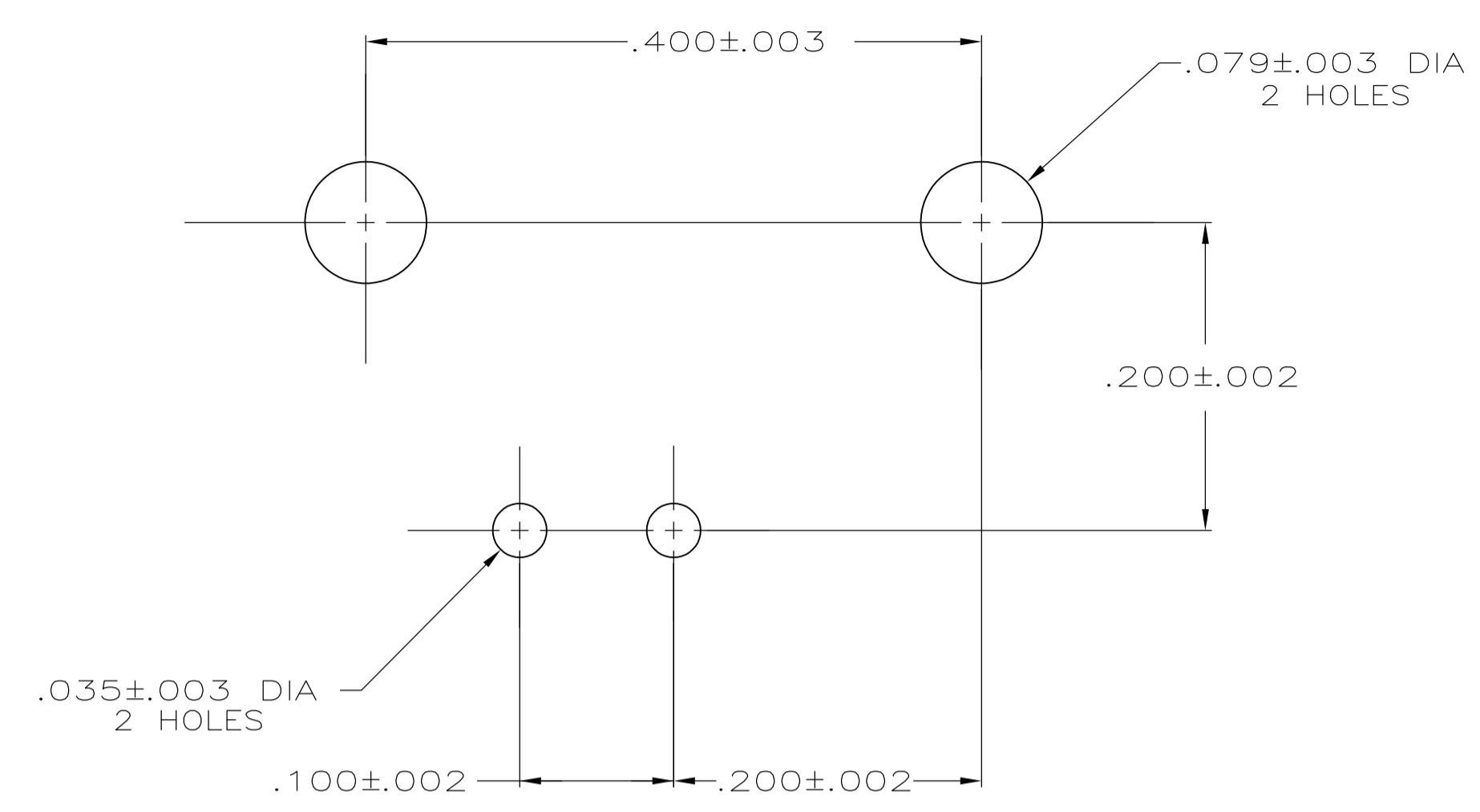
Contact us

Tel: +86-755-8981 8866 Fax: +86-755-8427 6832

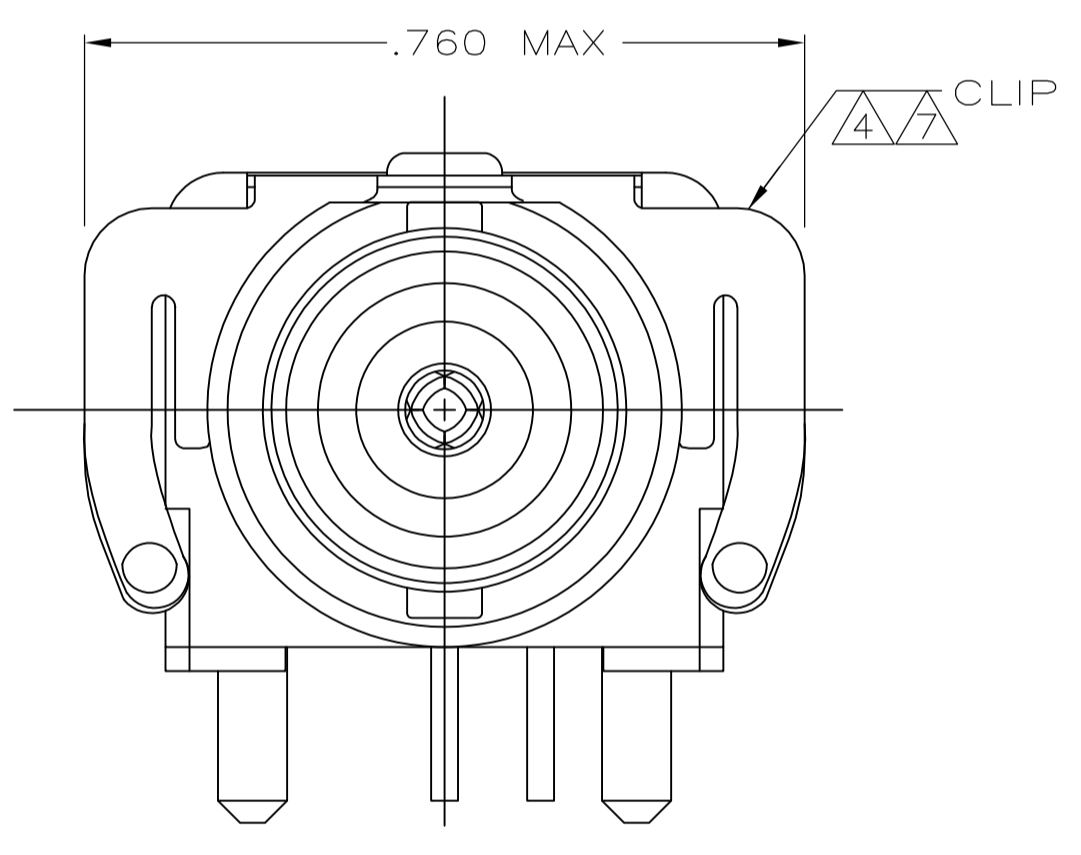
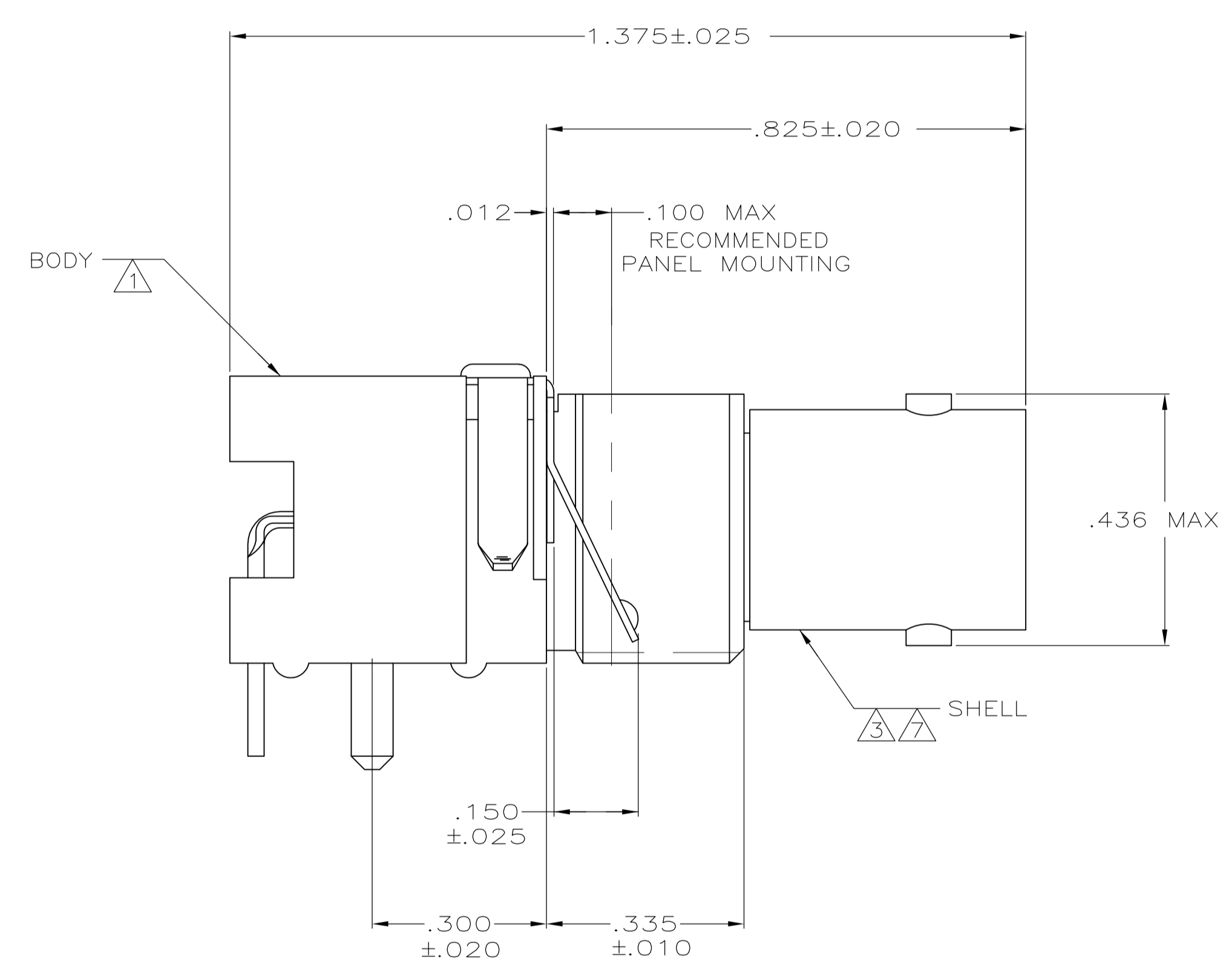
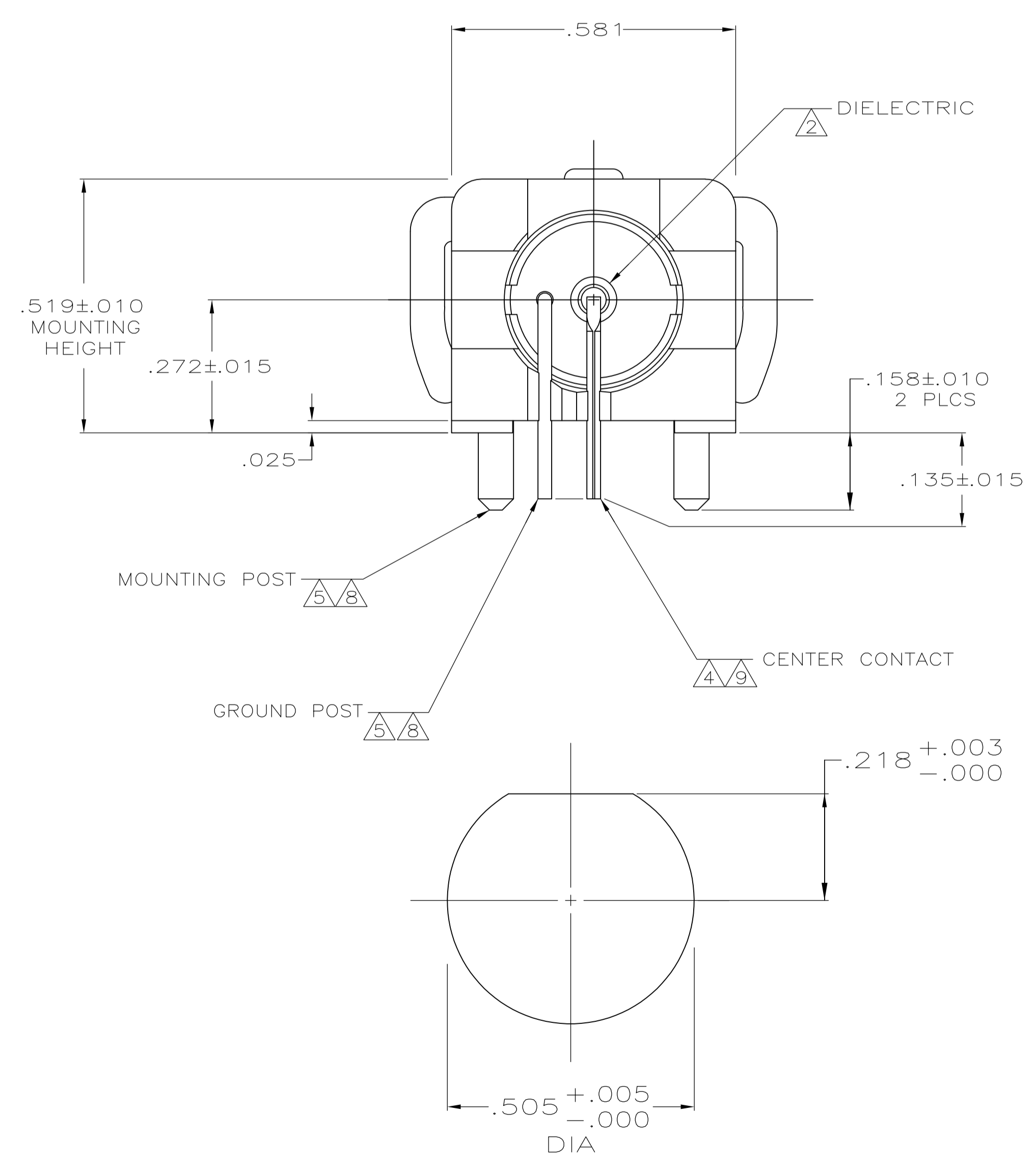
Email & Skype: info@chipsmall.com Web: www.chipsmall.com

Address: A1208, Overseas Decoration Building, #122 Zhenhua RD., Futian, Shenzhen, China





- ① POLYESTER, PBT, BLACK, PER MIL-M-24519
- ② POLYMETHYLPENTENE, GENERAL PURPOSE
- ③ ZINC PER QQ-Z-363
- ④ PHOSPHOR BRONZE PER QQ-B-750
- ⑤ BRASS PER ASTM-B-16
- ⑥ BRASS PER ASTM-B-453
- ⑦ NICKEL PLATE PER QQ-N-290
- ⑧ TIN PLATE PER ASTM-B-545
- ⑨ SELECTIVELY GOLD PLATED ON INTERFACE AREA PER ASTM-B-488, .000030 THK, TIN PLATE ON SOLDER TAIL PER ASTM-B-545, ALL OVER NICKEL PL PER QQ-N-290



RECOMMENDED
PANEL CUTOUT

9400 pf, 1500 VDC	5414094-2
CAPACITANCE & VOLTAGE	PART NUMBER

THIS DRAWING IS A CONTROLLED DOCUMENT.		DIN J. ALCORTA - 26APR2005		Tyco Electronics Corporation	
DIMENSIONS: INCHES		CIK J. HAVENER - DOCK45 26APR2005		Harrisburg, PA 17105-3608	
TOLERANCES UNLESS OTHERWISE SPECIFIED:		APVD J. LIPPERT 26APR2005		NAME	
0 PLC ± -		PRODUCT SPEC		JACK, DECOUPLER,	
1 PLC ± -		APPLICATION SPEC		PCB, LOW PROFILE, 75 OHM,	
2 PLC ± -		SIZE		RIGHT ANGLE, SERIES BNC	
3 PLC ± .008		CAGE CODE		DRAWING NO	
4 PLC ± -		WEIGHT		RESTRICTED TO	
ANGLES ± -		A1 00779		C=5414094	
MATERIAL THRU		CUSTOMER DRAWING		SCALE 5:1 SHEET 1 OF 1 REV B	