



Chipsmall Limited consists of a professional team with an average of over 10 year of expertise in the distribution of electronic components. Based in Hongkong, we have already established firm and mutual-benefit business relationships with customers from,Europe,America and south Asia,supplying obsolete and hard-to-find components to meet their specific needs.

With the principle of “Quality Parts,Customers Priority,Honest Operation,and Considerate Service”,our business mainly focus on the distribution of electronic components. Line cards we deal with include Microchip,ALPS,ROHM,Xilinx,Pulse,ON,Everlight and Freescale. Main products comprise IC,Modules,Potentiometer,IC Socket,Relay,Connector.Our parts cover such applications as commercial,industrial, and automotives areas.

We are looking forward to setting up business relationship with you and hope to provide you with the best service and solution. Let us make a better world for our industry!



Contact us

Tel: +86-755-8981 8866 Fax: +86-755-8427 6832

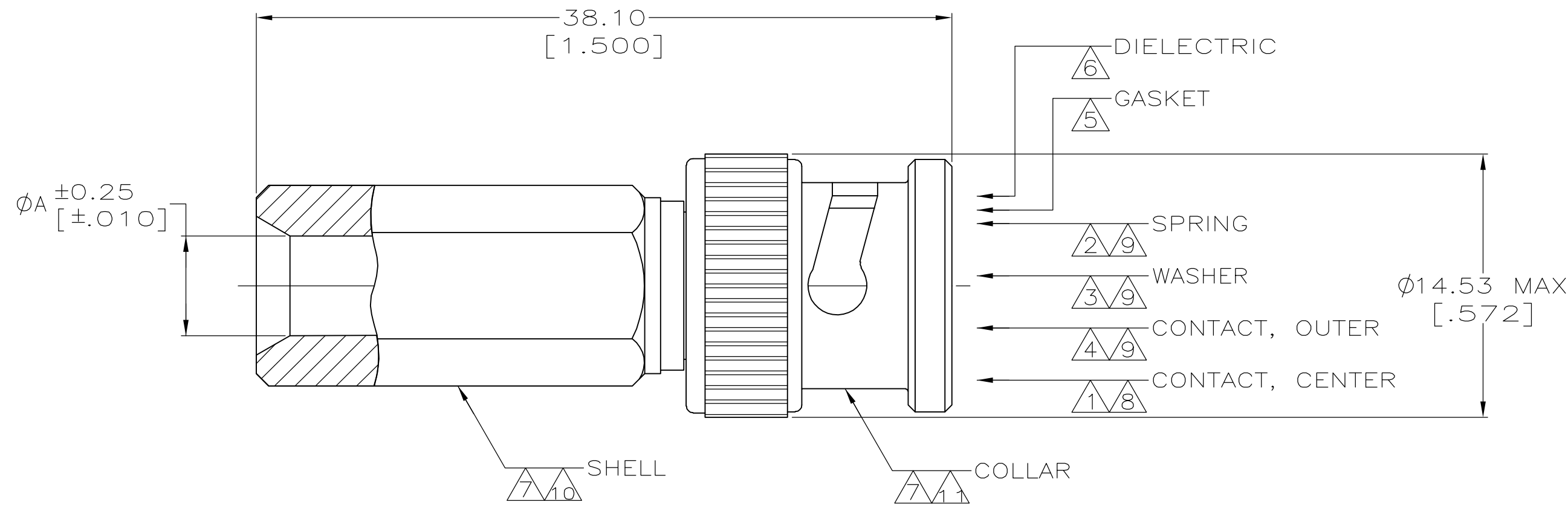
Email & Skype: info@chipsmall.com Web: www.chipsmall.com

Address: A1208, Overseas Decoration Building, #122 Zhenhua RD., Futian, Shenzhen, China

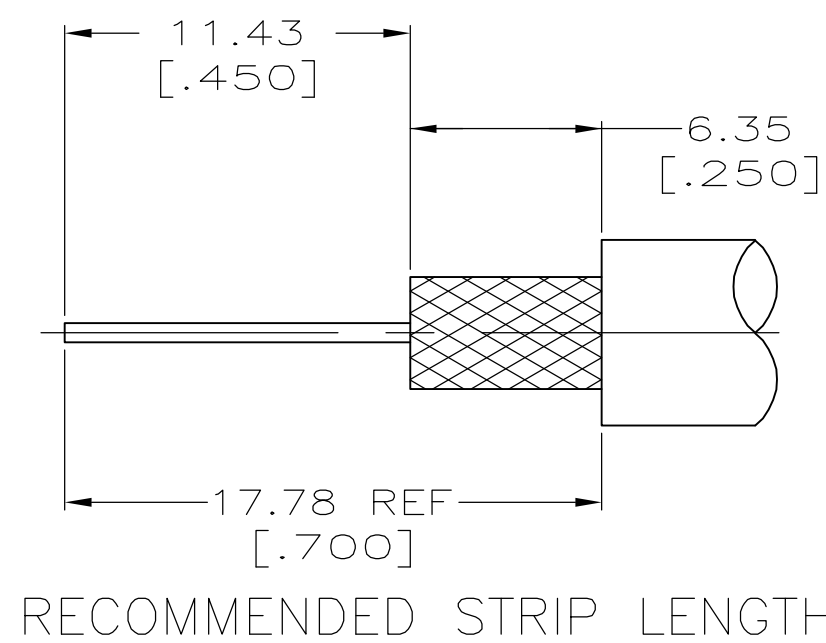


THIS DRAWING IS UNPUBLISHED. RELEASED FOR PUBLICATION
 © COPYRIGHT BY TYCO ELECTRONICS CORPORATION. ALL RIGHTS RESERVED.

LOC	DIST	REVISIONS			
P	LTR	DESCRIPTION	DATE	DWN	APVD
AJ	16	A	REVISED PER OS14-0150-05	11NOV2005	REH JL



- 1 PHOSPHOR BRONZE PER ASTM-B-139
- 2 CARBON STEEL
- 3 BRASS PER MIL-C-50
- 4 BRASS PER QQ-B-626
- 5 SILICONE RUBBER PER ZZ-R-765
- 6 POLYMETHYLPENTENE: GENERAL PURPOSE
- 7 ZINC DIE CAST PER QQ-Z-363
- 8 GOLD PLATING PER ASTM-B-488
0.38 μ m [.000015] MIN THICKNESS
- 9 NICKEL PLATING PER QQ-N-290
2.54 μ m [.000100] MIN THICKNESS
- 10 NICKEL PLATING PER QQ-N-290
3.81 μ m [.000150] MIN THICKNESS
- 11 NICKEL PLATING PER QQ-N-290
4.45 μ m [.000175] MIN THICKNESS
- 12. USE INSTRUCTION SHEET 408-6996



RG-59/U	5.49 [.216]	5414265-3
CABLE	A	PART NUMBER

THIS DRAWING IS A CONTROLLED DOCUMENT.		DWN J. HAVENER 02NOV2005	Tyco Electronics Corporation Harrisburg, PA 17105-3608	
DIMENSIONS: mm [INCHES]		CHK J. HAVENER 02NOV2005		
TOLERANCES UNLESS OTHERWISE SPECIFIED:		APVD J. LIPPERT 02NOV2005	NAME PLUG ASSEMBLY, 50 OHM, TWIST-ON, BNC	
0 PLC ± -		PRODUCT SPEC	SIZE A2	
1 PLC ± -		APPLICATION SPEC	CAGE CODE 00779	DRAWING NO C=5414265
2 PLC ± 0.51 [.020]		WEIGHT -	RESTRICTED TO -	
3 PLC ± -		FINISH	SCALE 4:1 SHEET 1 of 1 REV A	
4 PLC ± -		CUSTOMER DRAWING		
ANGLES ± -				
MATERIAL SEE NOTES				
FINISH SEE NOTES				