



Chipsmall Limited consists of a professional team with an average of over 10 year of expertise in the distribution of electronic components. Based in Hongkong, we have already established firm and mutual-benefit business relationships with customers from,Europe,America and south Asia,supplying obsolete and hard-to-find components to meet their specific needs.

With the principle of “Quality Parts,Customers Priority,Honest Operation,and Considerate Service”,our business mainly focus on the distribution of electronic components. Line cards we deal with include Microchip,ALPS,ROHM,Xilinx,Pulse,ON,Everlight and Freescale. Main products comprise IC,Modules,Potentiometer,IC Socket,Relay,Connector.Our parts cover such applications as commercial,industrial, and automotives areas.

We are looking forward to setting up business relationship with you and hope to provide you with the best service and solution. Let us make a better world for our industry!



## Contact us

Tel: +86-755-8981 8866 Fax: +86-755-8427 6832

Email & Skype: info@chipsmall.com Web: www.chipsmall.com

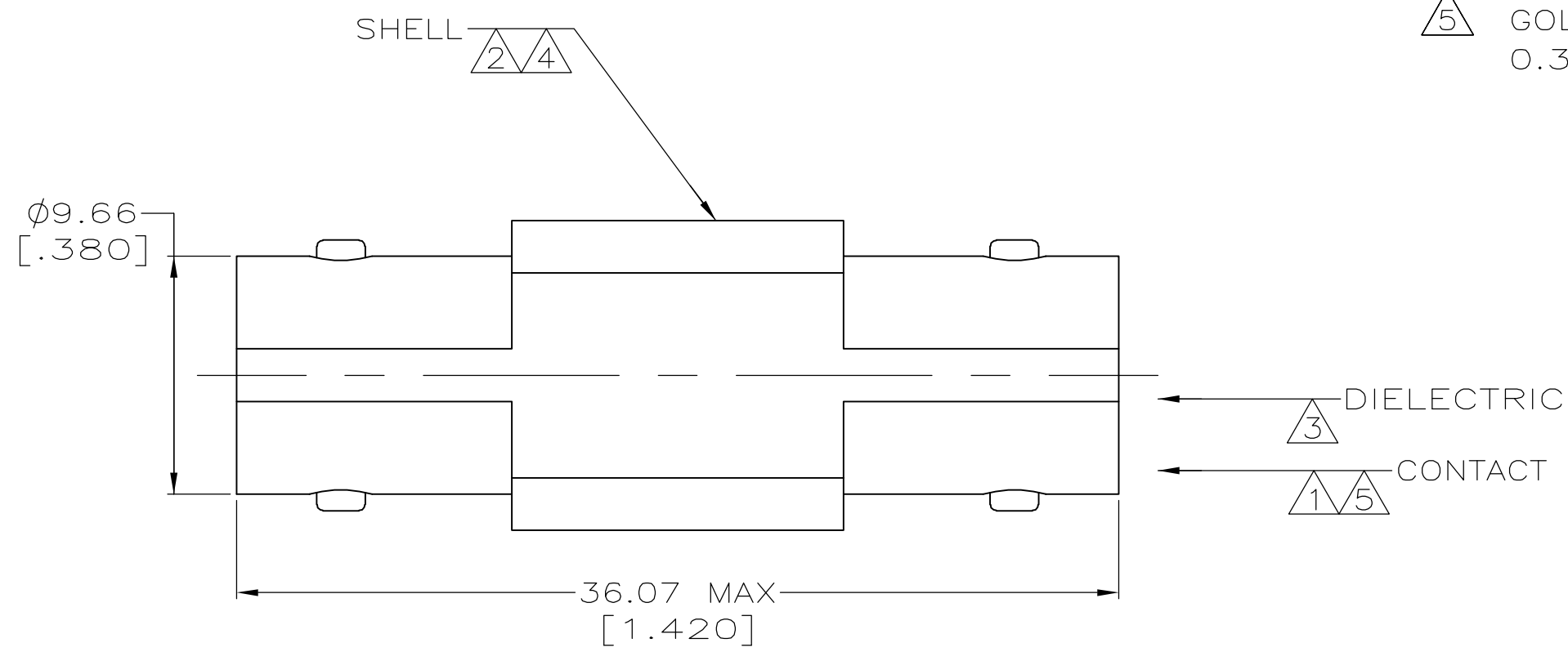
Address: A1208, Overseas Decoration Building, #122 Zhenhua RD., Futian, Shenzhen, China



THIS DRAWING IS UNPUBLISHED. RELEASED FOR PUBLICATION  
 © COPYRIGHT - BY TYCO ELECTRONICS CORPORATION. ALL RIGHTS RESERVED.

LOC	DIST	REVISIONS			
P	LTR	DESCRIPTION	DATE	DWN	APVD
AJ	16	A	REVISED PER EC 0S14-0150-05	05OCT2005	REH JL

- ① PHOSPHOR BRONZE PER QQ-B-750
- ② ZINC PER QQ-Z-363
- ③ POLYMETHYLPENTENE: GENERAL PURPOSE
- ④ NICKEL PLATE PER QQ-N-290, 3.81 μm [.000150] MIN THICKNESS
- ⑤ GOLD PLATE PER ASTM-B-488, 0.38 μm [.000015] MIN THICKNESS



5414414-1  
PART NUMBER

THIS DRAWING IS A CONTROLLED DOCUMENT.		DWN G. ATTADIA - DOCK5 19APR2005	Tyco Electronics Corporation Harrisburg, PA 17105-3608	
DIMENSIONS: mm [INCHES]		CHK J. HAVENER 19APR2005		
		APVD J. LIPPERT 19APR2005	NAME JACK-TO-JACK ADAPTER ASSEMBLY, COMMERCIAL BNC	
TOLERANCES UNLESS OTHERWISE SPECIFIED:		PRODUCT SPEC	RESTRICTED TO	
0 PLC ± - 1 PLC ± - 2 PLC ± 0.05 [.002] 3 PLC ± - 4 PLC ± - ANGLES ± -		APPLICATION SPEC	SIZE A3	CAGE CODE 00779
MATERIAL ①②③		WEIGHT -	DRAWING NO G-5414414	SCALE 4:1
FINISH ④⑤		CUSTOMER DRAWING	SHEET 1 of 1	REV A