



Chipsmall Limited consists of a professional team with an average of over 10 year of expertise in the distribution of electronic components. Based in Hongkong, we have already established firm and mutual-benefit business relationships with customers from,Europe,America and south Asia,supplying obsolete and hard-to-find components to meet their specific needs.

With the principle of “Quality Parts,Customers Priority,Honest Operation,and Considerate Service”,our business mainly focus on the distribution of electronic components. Line cards we deal with include Microchip,ALPS,ROHM,Xilinx,Pulse,ON,Everlight and Freescale. Main products comprise IC,Modules,Potentiometer,IC Socket,Relay,Connector.Our parts cover such applications as commercial,industrial, and automotives areas.

We are looking forward to setting up business relationship with you and hope to provide you with the best service and solution. Let us make a better world for our industry!



Contact us

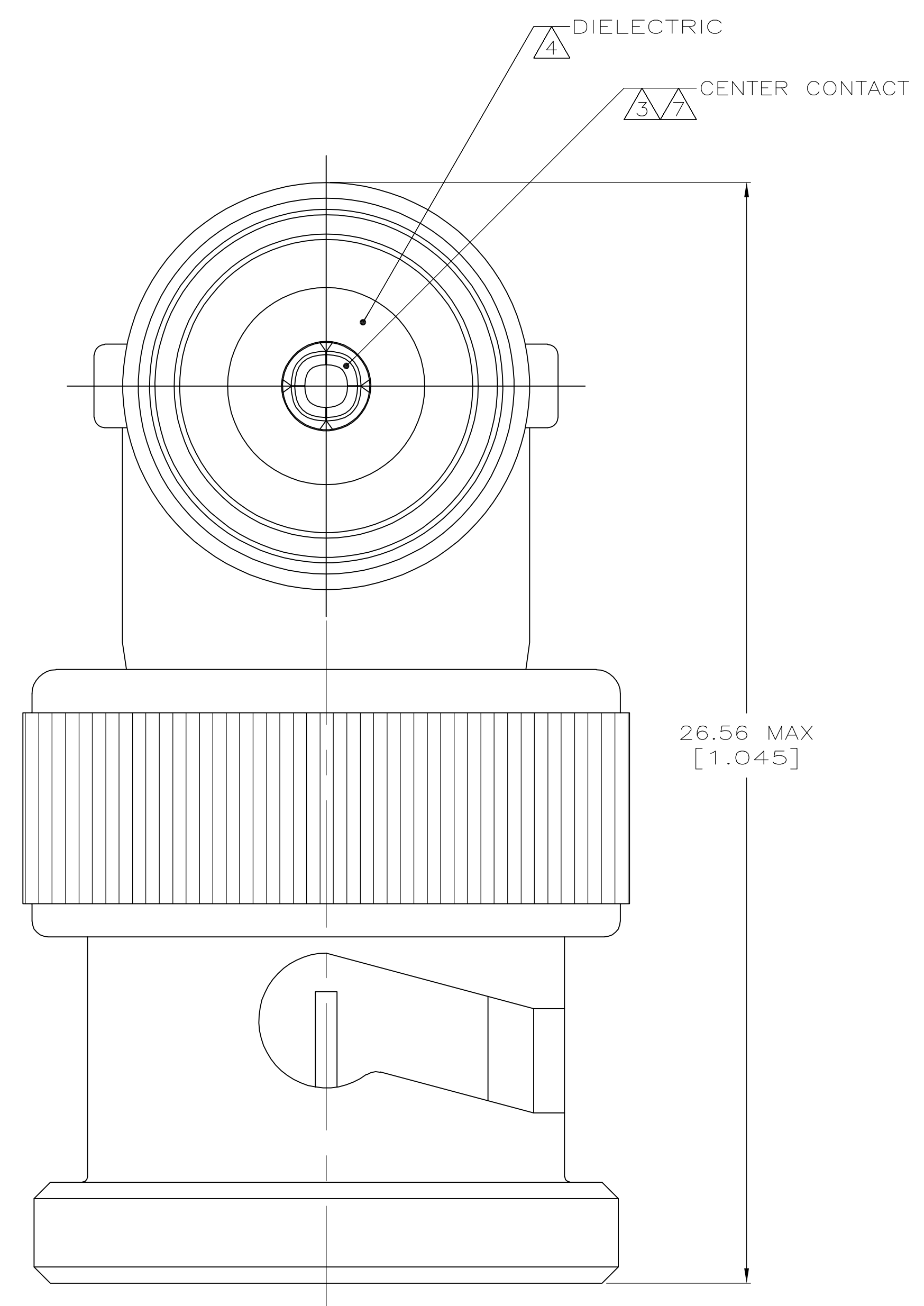
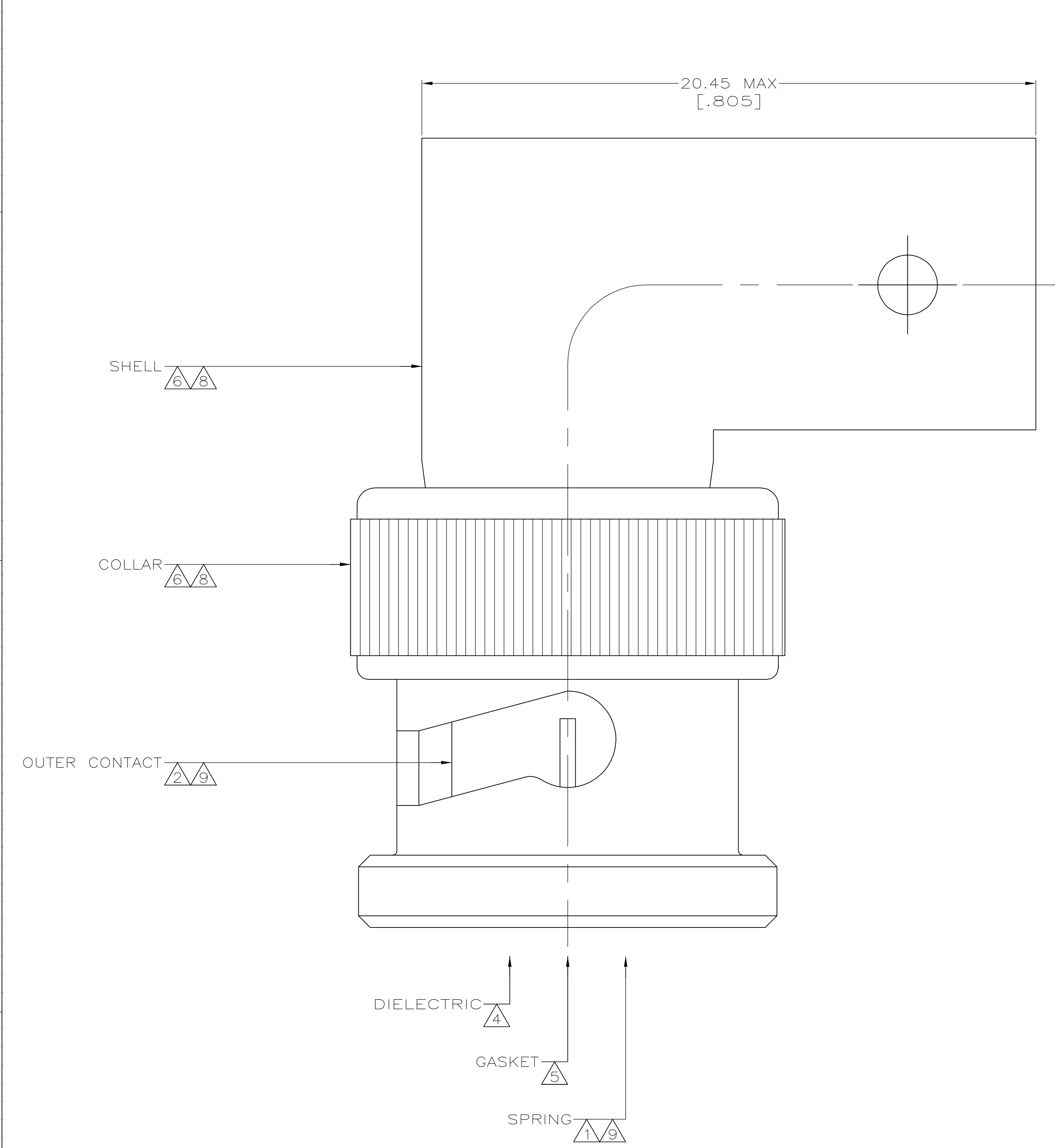
Tel: +86-755-8981 8866 Fax: +86-755-8427 6832

Email & Skype: info@chipsmall.com Web: www.chipsmall.com

Address: A1208, Overseas Decoration Building, #122 Zhenhua RD., Futian, Shenzhen, China



- △ CARBON STEEL
- △ BRASS PER ASTM-B-16
- △ PHOSPHOR BRONZE PER ASTM-B-139
- △ POLYMETHYLPENTENE: GENERAL PURPOSE
- △ SILICONE RUBBER PER ZZ-R-765
- △ ZINC DIE CAST PER ASTM-B-86
- △ GOLD PLATE PER ASTM-B-488, 0.38μm [.000015] MIN THICKNESS
- △ NICKEL PLATE PER QQ-N-290, 1.27μm [.000050] MIN THICKNESS
- △ NICKEL PLATE PER QQ-N-290, 2.54μm [.000100] MIN THICKNESS



5414666-1
 PART NUMBER

THIS DRAWING IS A CONTROLLED DOCUMENT.		DWN L. VARELA - 18APR2005	Tyco Electronics Corporation Harrisburg, PA 17105-3608	
DIMENSIONS: mm [INCHES]		CHK J. HAVENER - 18APR2005	APPROVED J. LIPPERT - 18APR2005	
TOLERANCES UNLESS OTHERWISE SPECIFIED:		NAME		
0. PLC	± .005	PRODUCT SPEC		
1. PLC	± .002	APPLICATION SPEC		
2. PLC	± .001	SIZE		
3. PLC	± .0005	CAGE CODE		
4. PLC	± .0002	DRAWING NO		
ANGLES	± .0001	RESTRICTED TO		
FINISH	SEE NOTES	A1 00779 ©=5414666		
MATERIAL	SEE NOTES	WEIGHT		
CUSTOMER DRAWING		SCALE 10:1 SHEET 1 OF 1 REV A		