



Chipsmall Limited consists of a professional team with an average of over 10 year of expertise in the distribution of electronic components. Based in Hongkong, we have already established firm and mutual-benefit business relationships with customers from,Europe,America and south Asia,supplying obsolete and hard-to-find components to meet their specific needs.

With the principle of “Quality Parts,Customers Priority,Honest Operation,and Considerate Service”,our business mainly focus on the distribution of electronic components. Line cards we deal with include Microchip,ALPS,ROHM,Xilinx,Pulse,ON,Everlight and Freescale. Main products comprise IC,Modules,Potentiometer,IC Socket,Relay,Connector.Our parts cover such applications as commercial,industrial, and automotives areas.

We are looking forward to setting up business relationship with you and hope to provide you with the best service and solution. Let us make a better world for our industry!



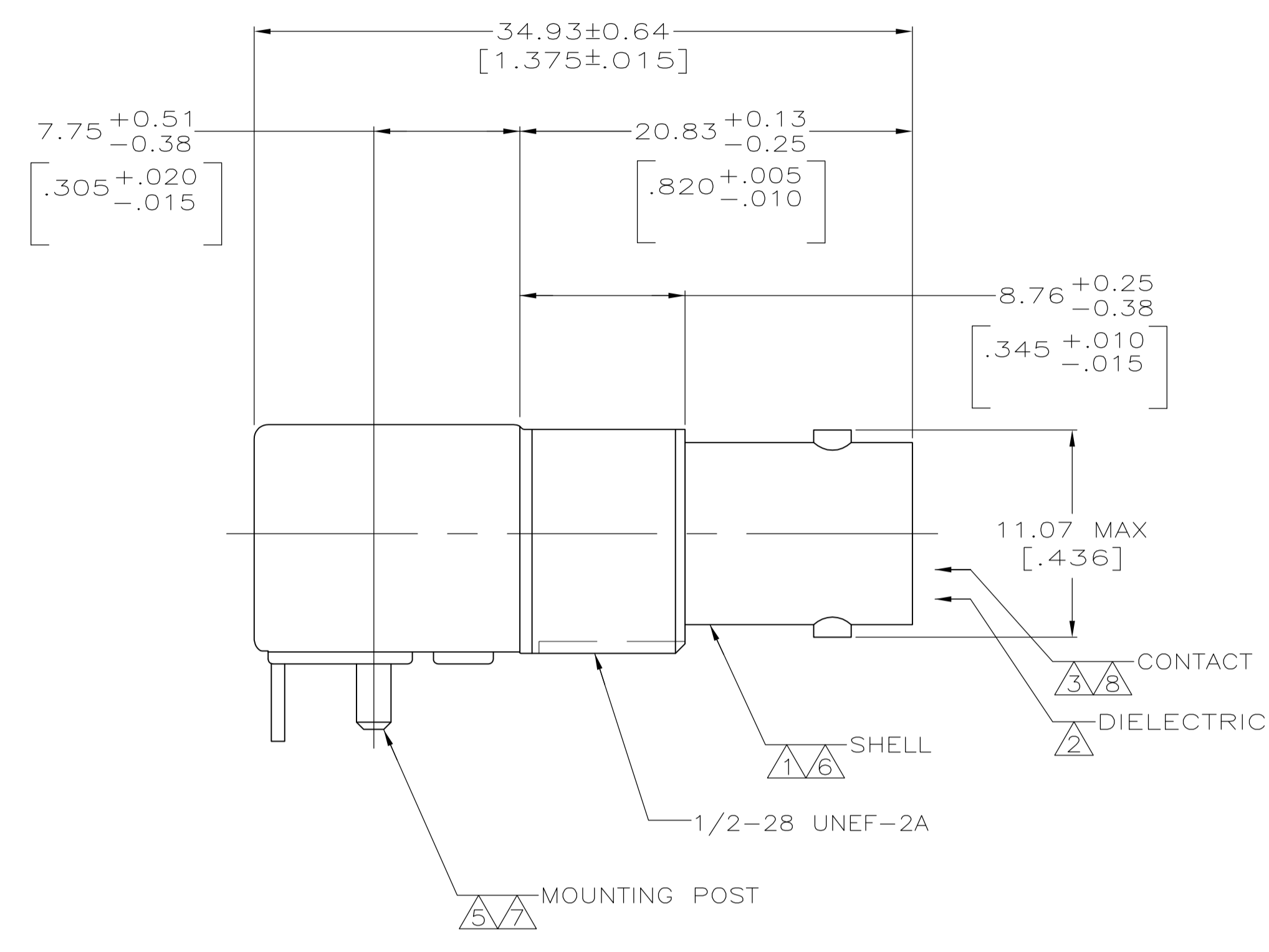
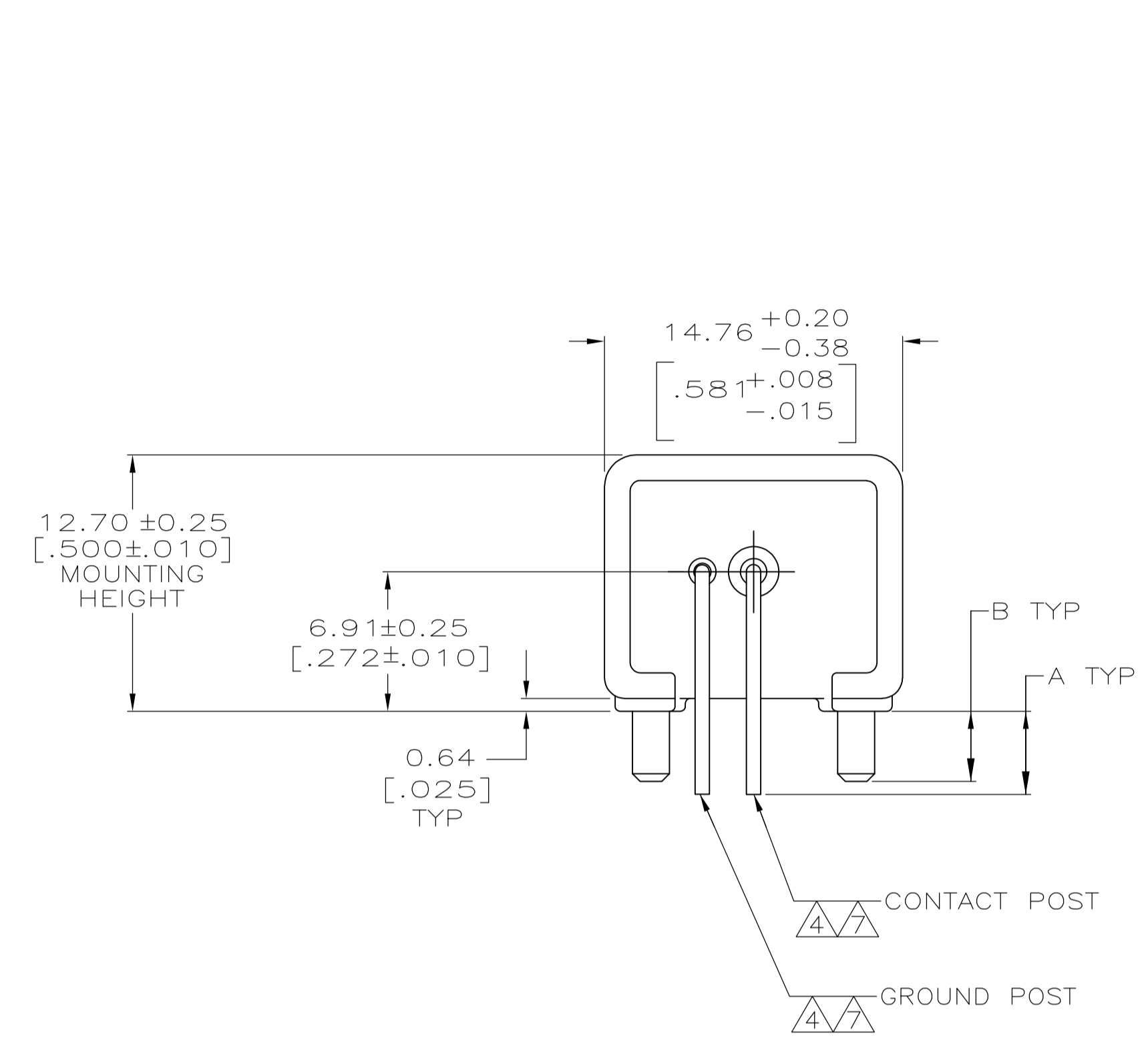
## Contact us

Tel: +86-755-8981 8866 Fax: +86-755-8427 6832

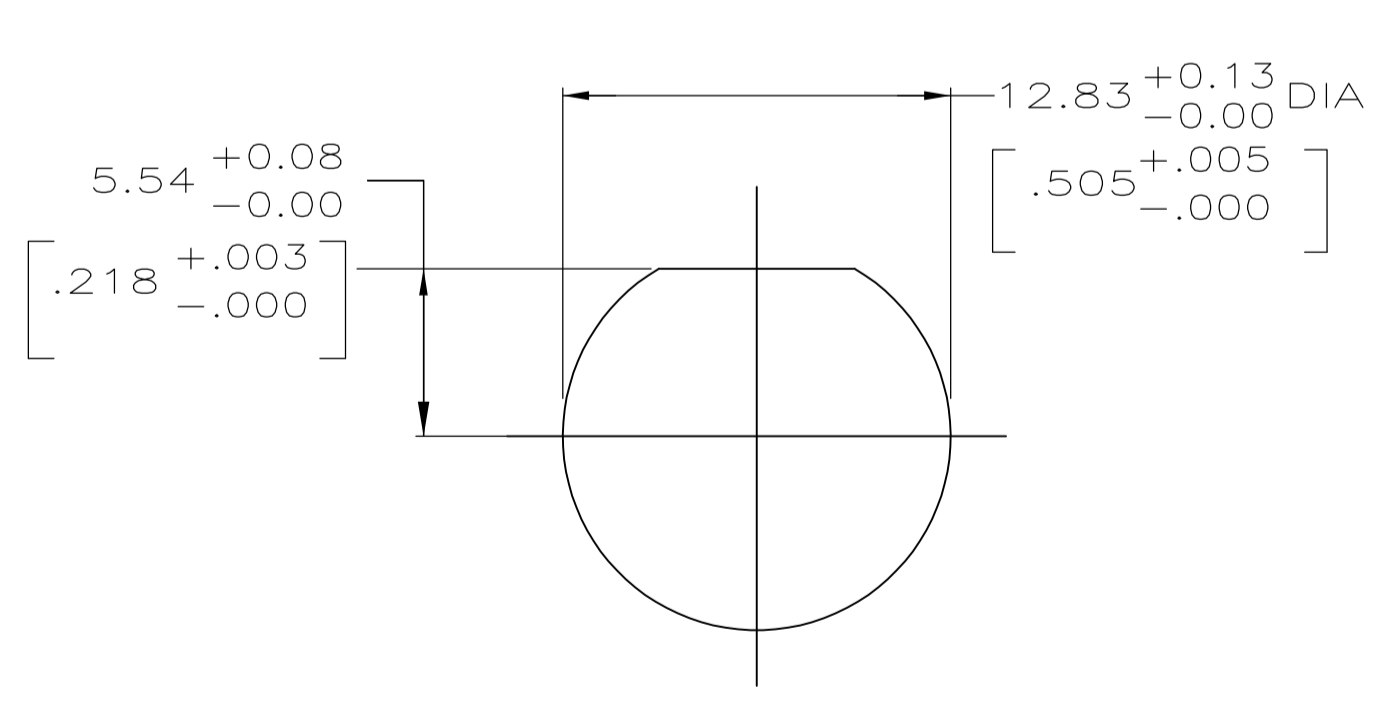
Email & Skype: info@chipsmall.com Web: www.chipsmall.com

Address: A1208, Overseas Decoration Building, #122 Zhenhua RD., Futian, Shenzhen, China

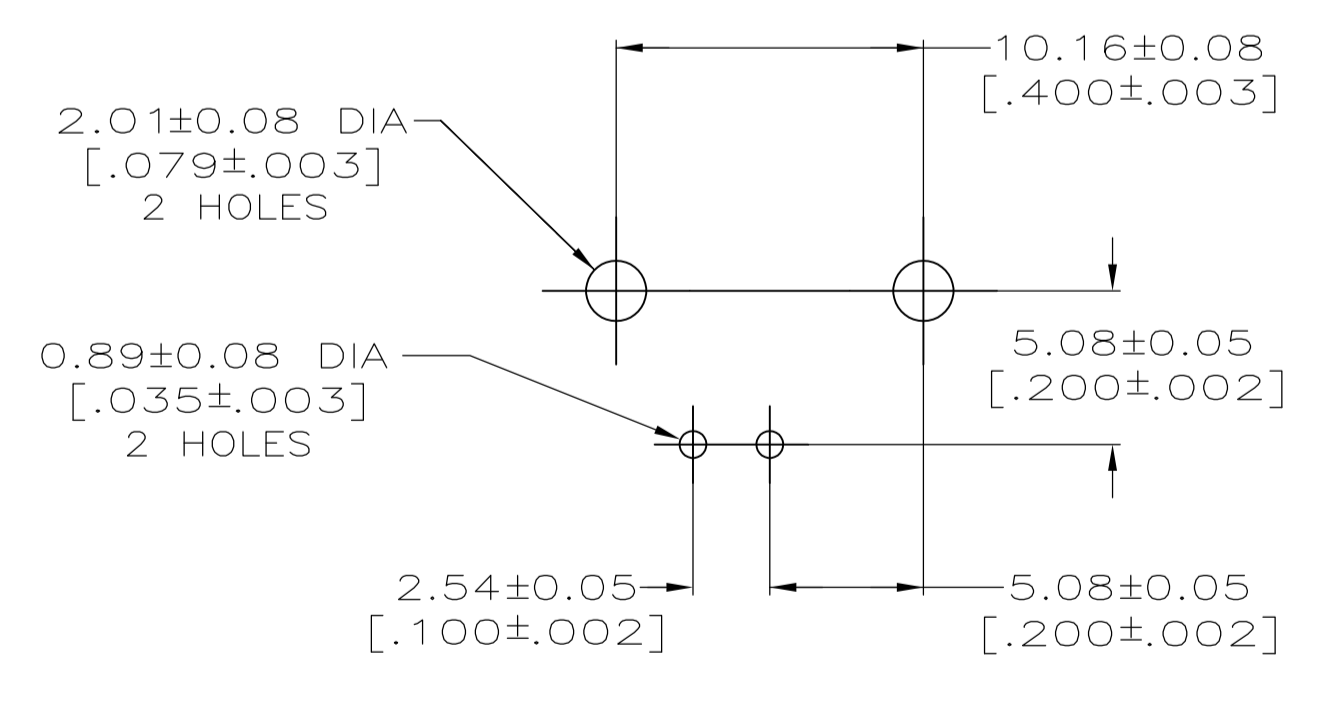




- 1 ZINC PER QQ-Z-363.
- 2 POLYMETHYLPENTENE, GENERAL PURPOSE.
- 3 BERYLLIUM COPPER PER QQ-C-530.
- 4 BRASS PER ASTM-B-453.
- 5 BRASS PER ASTM-B-16.
- 6 NICKEL PLATE PER QQ-N-290, 3.81 μm [.000150] MINIMUM THICK.
- 7 TIN PLATE PER ASTM-B-545, 3.81 μm [.000150] MINIMUM THICK.
- 8 GOLD PLATE PER ASTM-B-488, 0.76 μm [.000030] MINIMUM THICK.
- 9. SEE INSTRUCTION SHEET 408-2769.



RECOMMENDED PANEL CUTOUT



PCB CONFIGURATION

2.03 ±0.13 [.080 ±0.005]	2.29 ±0.13 [.090 ±0.005]	5414907-3
2.03 ±0.13 [.080 ±0.005]	2.79 ±0.25 [.110 ±0.010]	5414907-2
3.48 ±0.25 [.137 ±0.010]	4.11 ±0.43 [.162 ±0.017]	5414907-1
B	A	PART NUMBER

THIS DRAWING IS A CONTROLLED DOCUMENT.

DIMENSIONS: mm [INCHES]

TOLERANCES UNLESS OTHERWISE SPECIFIED:

0. PLC	±	-
1. PLC	±	-
2. PLC	±	0.20 [.008]
3. PLC	±	-
4. PLC	±	-
ANGLES	±	-

MATERIAL: SEE NOTES 1 - 5

FINISH: SEE NOTES 6 - 8

WEIGHT: -

SCALE: 5:1

SHEET: 1 OF 1

REV: A1

DIN: J. ALCORTA - DOCK 5

CHK: J. HAVENER

APVD: J. LIPPERT

NAME: JACK, RIGHT ANGLE, 75 OHM, LOW PROFILE, PCB, BNC

PRODUCT SPEC: -

APPLICATION SPEC: -

SIZE: A1

CAGE CODE: 00779

DRAWING NO: 5414907

RESTRICTED TO: -

CUSTOMER DRAWING