



Chipsmall Limited consists of a professional team with an average of over 10 year of expertise in the distribution of electronic components. Based in Hongkong, we have already established firm and mutual-benefit business relationships with customers from,Europe,America and south Asia,supplying obsolete and hard-to-find components to meet their specific needs.

With the principle of “Quality Parts,Customers Priority,Honest Operation,and Considerate Service”,our business mainly focus on the distribution of electronic components. Line cards we deal with include Microchip,ALPS,ROHM,Xilinx,Pulse,ON,Everlight and Freescale. Main products comprise IC,Modules,Potentiometer,IC Socket,Relay,Connector.Our parts cover such applications as commercial,industrial, and automotives areas.

We are looking forward to setting up business relationship with you and hope to provide you with the best service and solution. Let us make a better world for our industry!



Contact us

Tel: +86-755-8981 8866 Fax: +86-755-8427 6832

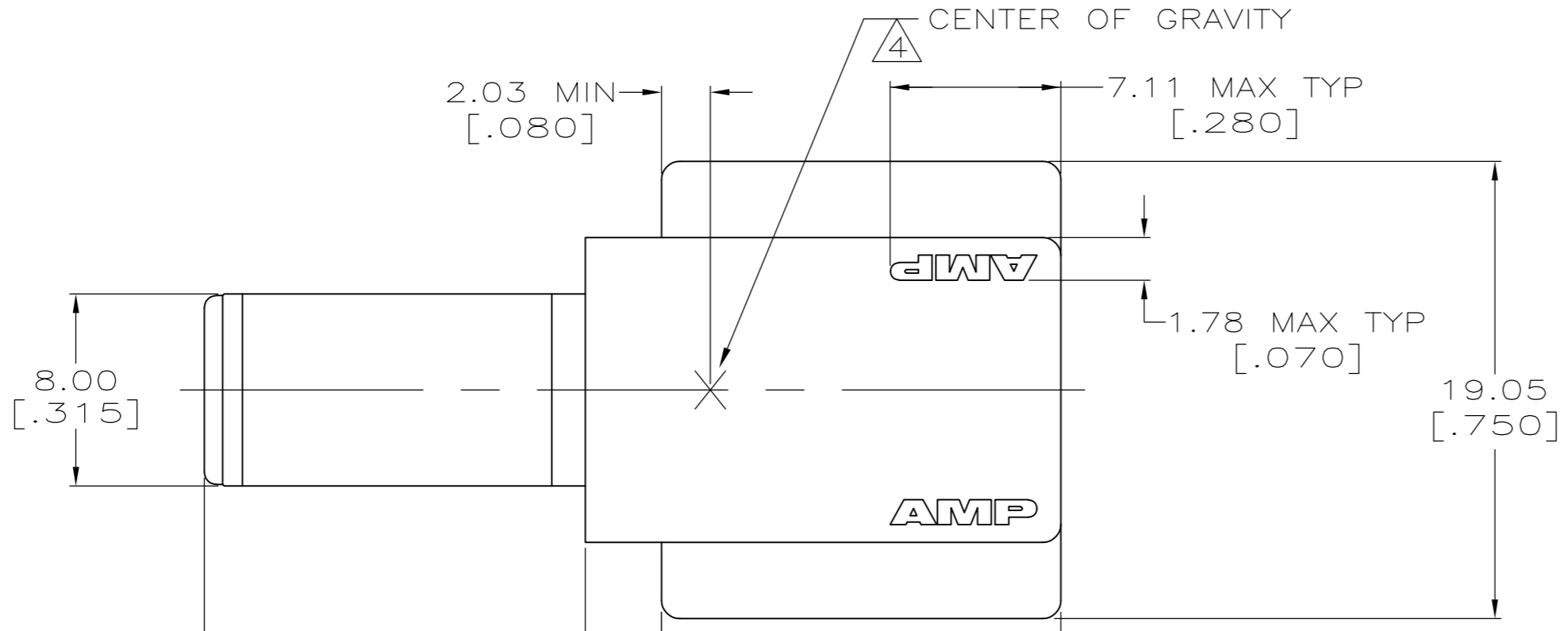
Email & Skype: info@chipsmall.com Web: www.chipsmall.com

Address: A1208, Overseas Decoration Building, #122 Zhenhua RD., Futian, Shenzhen, China

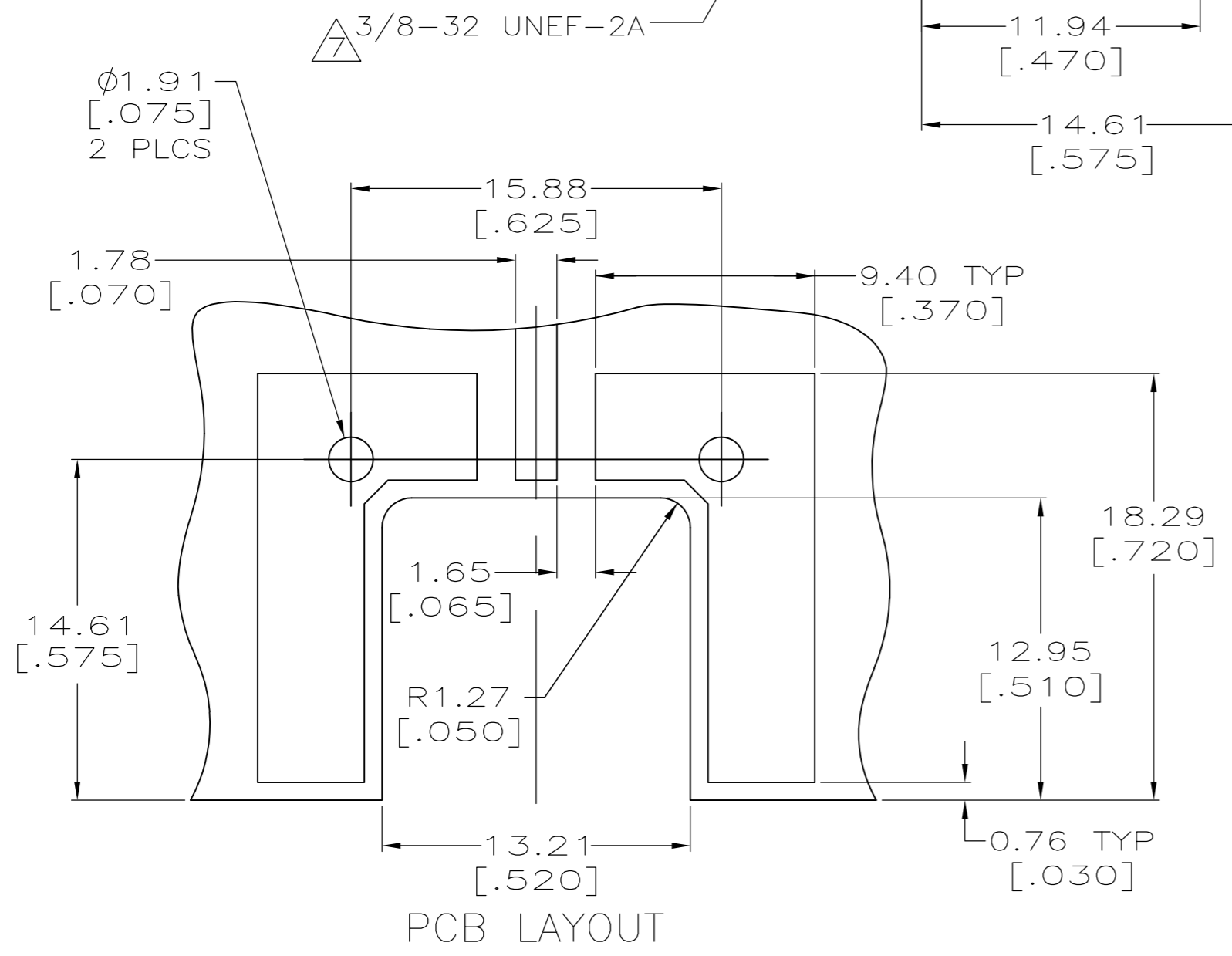
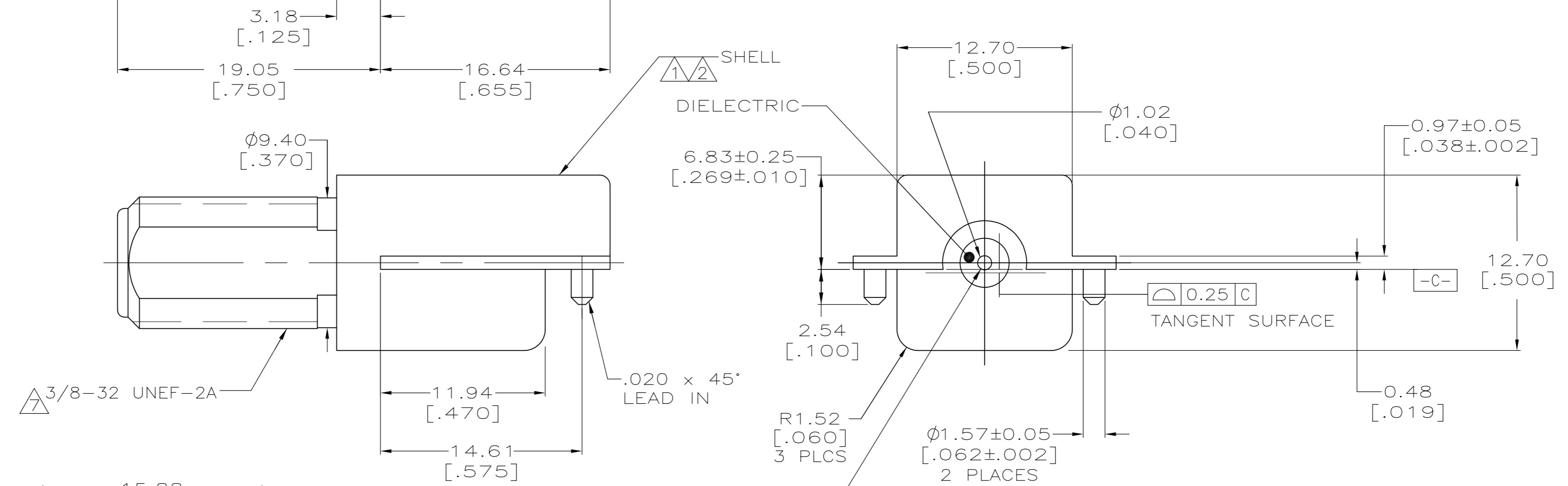


THIS DRAWING IS UNPUBLISHED. RELEASED FOR PUBLICATION
 © COPYRIGHT BY TYCO ELECTRONICS CORPORATION. ALL RIGHTS RESERVED.

LOC	DIST	REVISIONS			
P	LTR	DESCRIPTION	DATE	DWN	APVD
AJ	16	REV PER ECO 08-014295	6/9/2008	DW	JL



- 1 ZINC PER QQ-Z-363.
- 2 TIN PLATE PER ASTM-B-545, 3.81 μm [.000150] MINIMUM THICK.
- 3. CONTACT WILL ACCEPT CENTER CONDUCTOR DIAMETER RANGE OF 0.56 [.022]-1.07 [.042].
- 4 CONNECTOR IS COUNTERBALANCED FOR VACUUM PICKUP AND ANTI-TIPPING ON PCB.
- 5 PHOSPHOR BRONZE PER QQ-B-750.
- 6 POLYESTER PCT GENERAL PURPOSE.
- 7 MAJOR DIA MODIFIED TO .363 REF.



CONTACT MATERIAL	DIELECTRIC MATERIAL	5415322-2
PART NUMBER		

THIS DRAWING IS A CONTROLLED DOCUMENT.		DWN G. ATTADIA - DOCK5 01FEB2005	Tyco Electronics Corporation Harrisburg, Pa 17105-3608	
DIMENSIONS: mm [INCHES]		CHK J. HAVENER 01FEB2005	NAME JACK, PCB, SURFACE MT, F SERIES	
TOLERANCES UNLESS OTHERWISE SPECIFIED:		APVD K. WEIDNER 01FEB2005	PRODUCT SPEC 108-1758	
0 PLC ± -		APPLICATION SPEC -		
1 PLC ± -		WEIGHT 22 GRAMS		
2 PLC ± 0.13 [.005]		SCALE 4:1		
3 PLC ± -		SHEET 1 OF 1		
4 PLC ± -		REV A		
ANGLES ± -		CUSTOMER DRAWING		
FINISH		CAGE CODE 00779		
SEE NOTES 1		DRAWING NO C=5415322		
SEE NOTE 2		RESTRICTED TO -		

5415322