



Chipsmall Limited consists of a professional team with an average of over 10 year of expertise in the distribution of electronic components. Based in Hongkong, we have already established firm and mutual-benefit business relationships with customers from,Europe,America and south Asia,supplying obsolete and hard-to-find components to meet their specific needs.

With the principle of “Quality Parts,Customers Priority,Honest Operation,and Considerate Service”,our business mainly focus on the distribution of electronic components. Line cards we deal with include Microchip,ALPS,ROHM,Xilinx,Pulse,ON,Everlight and Freescale. Main products comprise IC,Modules,Potentiometer,IC Socket,Relay,Connector.Our parts cover such applications as commercial,industrial, and automotives areas.

We are looking forward to setting up business relationship with you and hope to provide you with the best service and solution. Let us make a better world for our industry!



Contact us

Tel: +86-755-8981 8866 Fax: +86-755-8427 6832

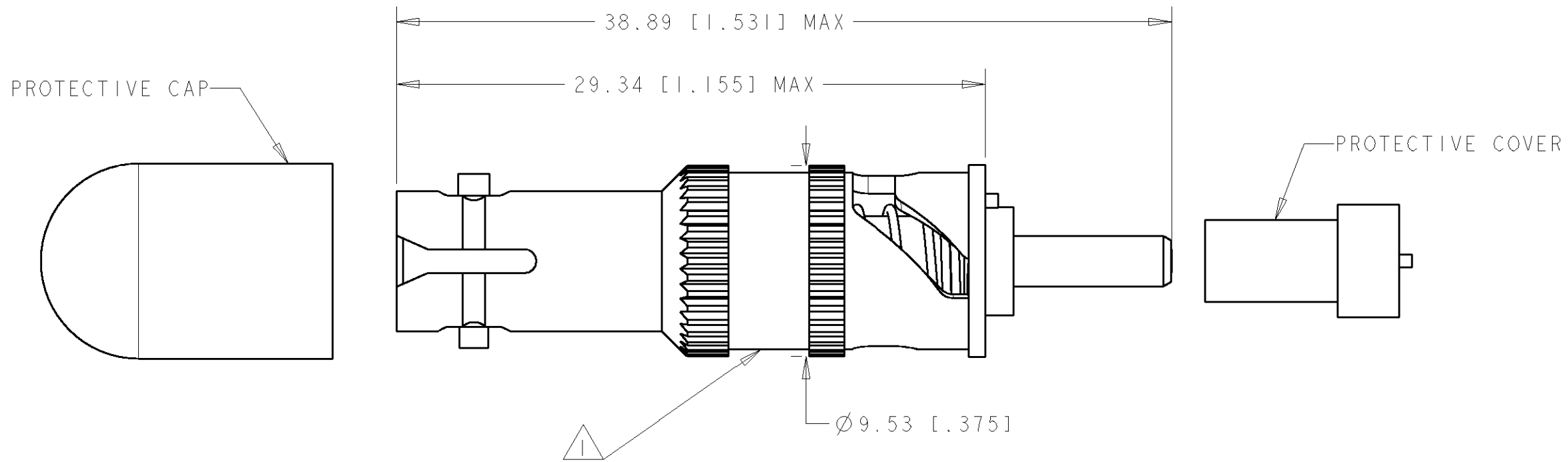
Email & Skype: info@chipsmall.com Web: www.chipsmall.com

Address: A1208, Overseas Decoration Building, #122 Zhenhua RD., Futian, Shenzhen, China



THIS DRAWING IS UNPUBLISHED. RELEASED FOR PUBLICATION 20
 © COPYRIGHT 20 BY TYCO ELECTRONICS CORPORATION. ALL RIGHTS RESERVED.

LOC	DIST	REVISIONS			
P	LTR	DESCRIPTION	DATE	DWN	APVD
CE	00	B	ECR-06-029231	23MAR2007	EJH SB



PERFORMANCE REQUIREMENTS:
 OPERATING WAVELENGTH : 1310/1550 ±25nm
 OPERATING TEMPERATURE : -40°C TO +75°C
 REFLECTANCE : ≤ -55dB
 ATTENUATION TOLERANCE, AMBIENT:
 FOR ATTENUATORS ≥ 5dB: ± 15% OF NOMINAL ATTENUATION VALUE
 FOR ATTENUATORS < 5dB: ±0.75dB
 MEASURED WITH REFERENCE QUALITY LAUNCH LEADS

20	2-5417549-0
15	1-5417549-5
12	1-5417549-2
10	1-5417549-0
6	5417549-6
5	5417549-5
4	5417549-4
3	5417549-3
2	5417549-2
1	5417549-1
NOMINAL ATTENUATION VALUE (dB)	PART NUMBER

△ TYCO LOGO, ATTENUATION VALUE, PART NUMBER, AND SERIAL NUMBER ARE PRINTED ON THE LABEL.

DIMENSIONS:		TOLERANCES UNLESS OTHERWISE SPECIFIED:		DWN		Tyco Electronics	
mm (inches)				E. HOPKINS		Tyco Electronics	
	0 PLC	±1.0	10JAN2005	tyco Electronics Tyco Electronics Harrisburg, PA 17105-3608			
	1 PLC	±.38	10JAN2005				
	2 PLC	±.38	10JAN2005				
	3 PLC	±.38	10JAN2005				
	4 PLC	±.38	10JAN2005				
MATERIAL		FINISH		APVD		NAME	
-		-		S. BUCHTER		ATTENUATOR, FOPC BOA ST/UPC DW SM	
CUSTOMER DRAWING				PRODUCT SPEC		RESTRICTED TO	
				APPLICATION SPEC		-	
				WEIGHT		-	
				SCALE		4:1	
				SHEET		1 OF 1	
				REV		B	
				SIZE		A3	
				CAGE CODE		00779	
				DRAWING NO		C=5417549	