



Chipsmall Limited consists of a professional team with an average of over 10 year of expertise in the distribution of electronic components. Based in Hongkong, we have already established firm and mutual-benefit business relationships with customers from,Europe,America and south Asia,supplying obsolete and hard-to-find components to meet their specific needs.

With the principle of “Quality Parts,Customers Priority,Honest Operation,and Considerate Service”,our business mainly focus on the distribution of electronic components. Line cards we deal with include Microchip,ALPS,ROHM,Xilinx,Pulse,ON,Everlight and Freescale. Main products comprise IC,Modules,Potentiometer,IC Socket,Relay,Connector.Our parts cover such applications as commercial,industrial, and automotives areas.

We are looking forward to setting up business relationship with you and hope to provide you with the best service and solution. Let us make a better world for our industry!



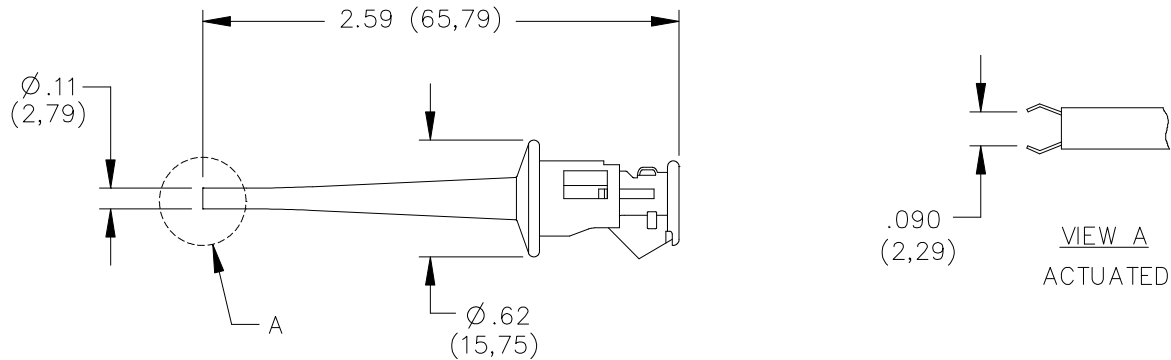
Contact us

Tel: +86-755-8981 8866 Fax: +86-755-8427 6832

Email & Skype: info@chipsmall.com Web: www.chipsmall.com

Address: A1208, Overseas Decoration Building, #122 Zhenhua RD., Futian, Shenzhen, China





FEATURES:

- Ideal for connecting to small circuit board components
- Use with Model #'s 5173, 3690, 122505A or any other Pomona "Do-It-Yourself" product to create custom cables
- Supports 20 to 22 AWG wire

MATERIALS:

Contact: Beryllium Copper, Alloy 165 per QQ-C-533, ¼ HM

Spring: Stainless Steel, 302

Finish: Contact – Gold plated per MIL-G-45204, Type 1, Class 00

Insulation: Glass filled Nylon

RATINGS:

Operating Temperature: +80°C (+176°F) Max

Operating Voltage: 300 VRMS/DC

Current: 5 Amperes

ORDERING INFORMATION: Model 5418-*

*=Color, -0 Black, -2 Red

Upon request, -5 Green and -6 Blue colors may be quoted.

All dimensions are in inches and metric. All specifications are to the latest revisions. Specifications are subject to change without notice.
Registered trademarks are the property of their respective companies. Made in USA

Sales: 800-490-2361 Fax: 425-446-5844
Technical Support: technicalsupport@pomonatest.com

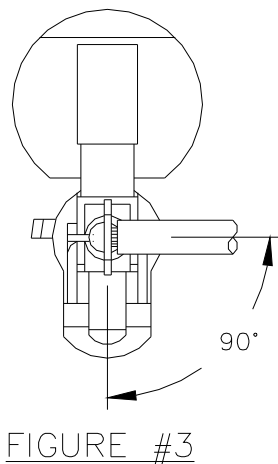
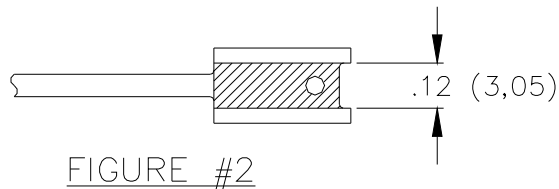
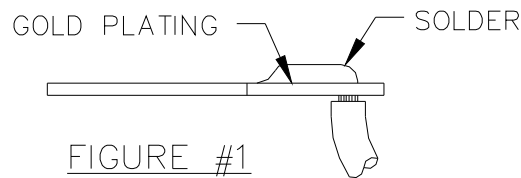


FIGURE #1

- Remove the cap from housing assembly, the contact will now be exposed.
- Insert the wire into the cap assembly allowing approximately 1 to 2 inches of wire to extend beyond the cap.
- Strip wire 1/8 to 3/16 inches.
- Insert exposed conductor through the hold in the contact and solder to surface.

FIGURE #2

- Important: Solder must not extend beyond the indicated width.

FIGURE #3

- Install the cap onto the housing assembly. Align the contact with the slots located on the cap.

All dimensions are in inches and metric. All specifications are to the latest revisions. Specifications are subject to change without notice.
Registered trademarks are the property of their respective companies. Made in USA

Sales: 800-490-2361 Fax: 425-446-5844
Technical Support: technicalsupport@pomonatest.com