



Chipsmall Limited consists of a professional team with an average of over 10 year of expertise in the distribution of electronic components. Based in Hongkong, we have already established firm and mutual-benefit business relationships with customers from,Europe,America and south Asia,supplying obsolete and hard-to-find components to meet their specific needs.

With the principle of “Quality Parts,Customers Priority,Honest Operation,and Considerate Service”,our business mainly focus on the distribution of electronic components. Line cards we deal with include Microchip,ALPS,ROHM,Xilinx,Pulse,ON,Everlight and Freescale. Main products comprise IC,Modules,Potentiometer,IC Socket,Relay,Connector.Our parts cover such applications as commercial,industrial, and automotives areas.

We are looking forward to setting up business relationship with you and hope to provide you with the best service and solution. Let us make a better world for our industry!



Contact us

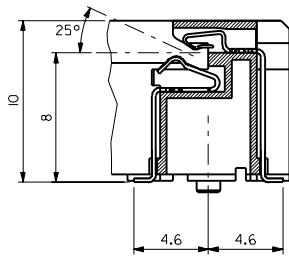
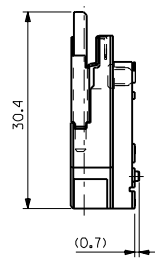
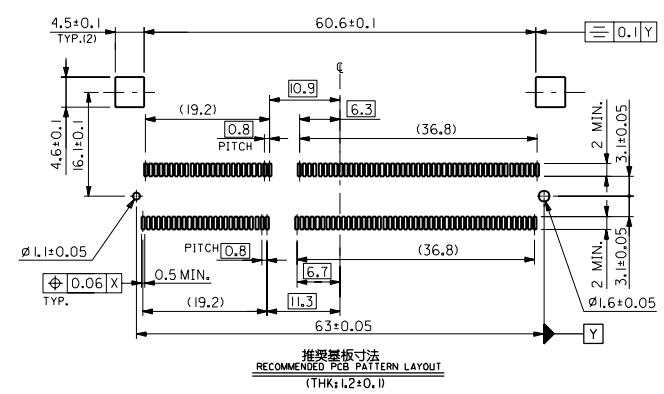
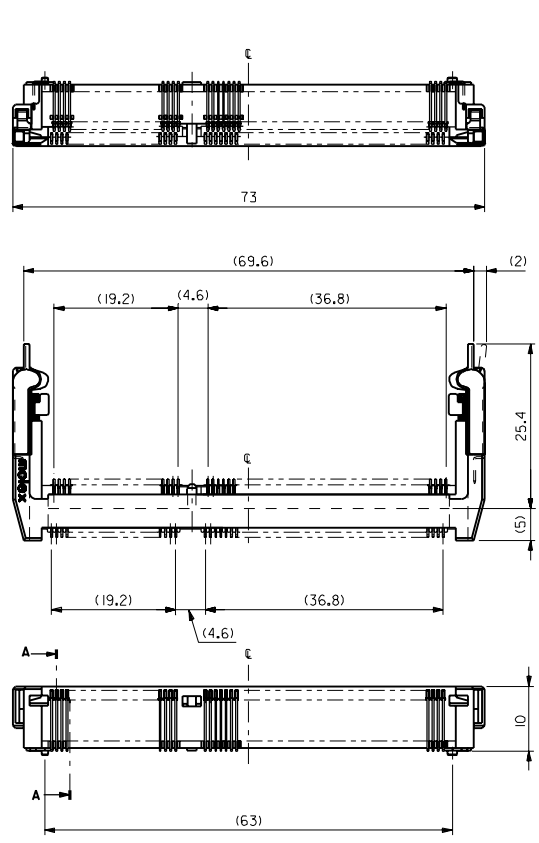
Tel: +86-755-8981 8866 Fax: +86-755-8427 6832

Email & Skype: info@chipsmall.com Web: www.chipsmall.com

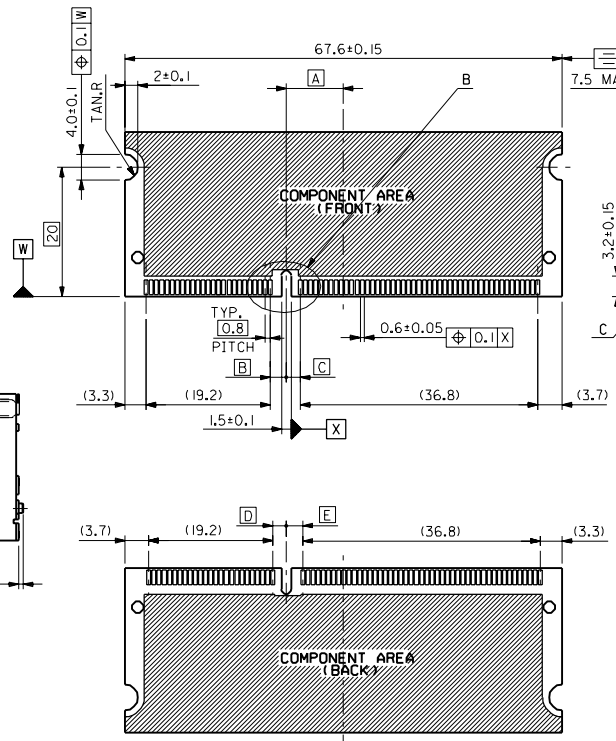
Address: A1208, Overseas Decoration Building, #122 Zhenhua RD., Futian, Shenzhen, China



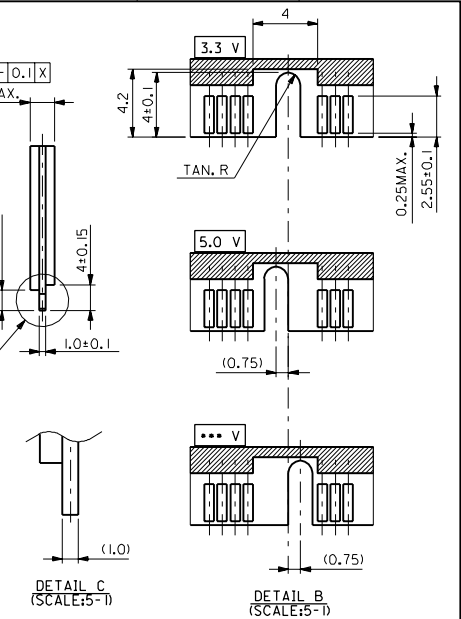
DIMENSIONS IN METRIC DO NOT SCALE DRAWING



SECTION A-A
(SCALE: 5-1)



推奨基板寸法
RECOMMENDED MATING BOARD CONFIGURATION
(THK: 1.0±0.1)



注記 1. 材料
 MATERIAL
 ハウジング : ガラス入りLCP、白色、UL94V-0
 HOUSING : GP, LCP, WHITE, UL94V-0
 ターミナル : 機着銅
 TERMINAL : PHOSPHOR BRONZE
 ネイル : 黄銅
 NAIL : BRASS
 ラッチカバー : ステンレス鋼
 LATCH COVER : STAINLESS STEEL

2. めっき仕様
 PLATING
 ターミナル
 TERMINAL : 金めっき 0.25μmMIN.
 接点部 : GOLD 0.25 μmMIN.
 CONTACT AREA : GOLD 0.25 μmMIN.
 半田付け部 : 半田めっき 1.0μmMIN.
 SOLDER TAIL AREA : TIN-LEAD 1.0μmMIN.
 下地のめっき : ニッケルのめっき 2.0μmMIN.
 UNDER-PLATING : NICKEL 2.0μmMIN.
 ネイル
 NAIL : 半田めっき : 2.0μmMIN.
 TIN-LEAD : 2.0μmMIN.

3. テル平坦度は、0.1 MAX.
 TAILS COPLANARITY TO BE 0.1 MAX.

1.75	2.85	1.35	3.25	8.05	***V	ハードトレイ 標準トレイ	HARD TRAY NORMAL TRAY	54 189-1445 54 189-1442
3.25	1.35	2.85	1.75	9.55	5.0V	ハードトレイ 標準トレイ	HARD TRAY NORMAL TRAY	54 189-1444 54 189-1441
2.5	2.1	2.1	2.5	8.8	3.3V	ハードトレイ 標準トレイ	HARD TRAY NORMAL TRAY	54 189-1443 54 189-1440
E	D	C	B	A	POWER SUPPLY	ハードトレイ PACKING TRAY	ENG.NO.	

材料 MATERIAL	注記参照 SEE NOTES	MOLAX JAPAN CO., LTD. 日本モレックス株式会社
仕上げ FINISH	注記参照 SEE NOTES	
適用電線範囲 WIRE RANGE		REVISE ONLY ON CAD SYSTEM
適用基板 INS. RANGE		TITLE 名称 SGRAM
DRAWN BY	CHK'D BY	0.8mm PITCH S.O.DIMM
APP'D BY	尺度 SCALE 2-1	HS'G ASS'Y I44CKT. (H=10)
REVISION RECORD		DWG. NO. SD-54189-144
REVISION RECORD		REV B