



Chipsmall Limited consists of a professional team with an average of over 10 year of expertise in the distribution of electronic components. Based in Hongkong, we have already established firm and mutual-benefit business relationships with customers from,Europe,America and south Asia,supplying obsolete and hard-to-find components to meet their specific needs.

With the principle of “Quality Parts,Customers Priority,Honest Operation,and Considerate Service”,our business mainly focus on the distribution of electronic components. Line cards we deal with include Microchip,ALPS,ROHM,Xilinx,Pulse,ON,Everlight and Freescale. Main products comprise IC,Modules,Potentiometer,IC Socket,Relay,Connector.Our parts cover such applications as commercial,industrial, and automotives areas.

We are looking forward to setting up business relationship with you and hope to provide you with the best service and solution. Let us make a better world for our industry!



Contact us

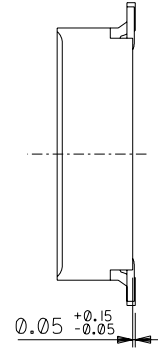
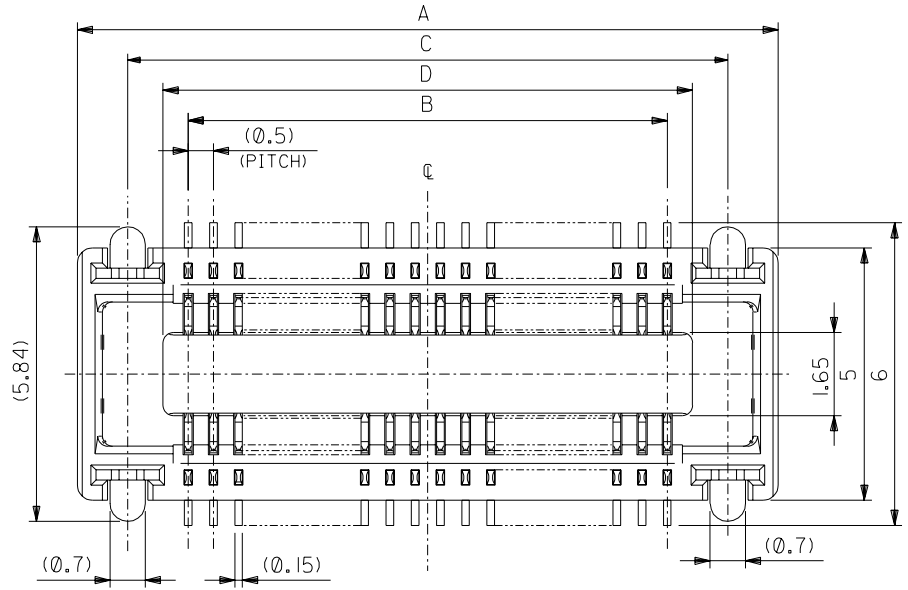
Tel: +86-755-8981 8866 Fax: +86-755-8427 6832

Email & Skype: info@chipsmall.com Web: www.chipsmall.com

Address: A1208, Overseas Decoration Building, #122 Zhenhua RD., Futian, Shenzhen, China

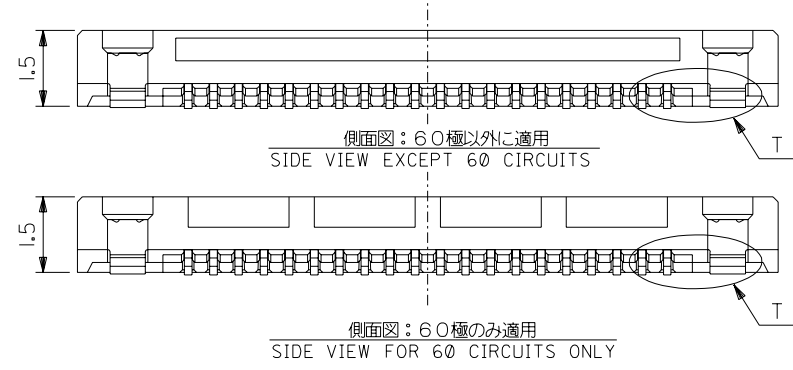


DWG. NO.
SD-54363-038



注記
NOTES:

1. 材質
MATERIAL
ハウジング: LCP (液晶ポリマー)、ガラス充填、黒色、UL 94V-0
HOUSING: LCP (LIQUID CRYSTAL POLYMER), GLASS FILLED, BLACK, UL 94V-0
ターミナル: 銅合金 (t=0.15)
TERMINAL: COPPER ALLOY (t=0.15)
ネイル: 銅合金 (t=0.2)
NAIL: COPPER ALLOY (t=0.2)
2. メッキ仕様
PLATING
ターミナル
TERMINAL
接点部: 金メッキ 0.25マイクロメートル以上
CONTACT AREA: GOLD 0.25 MICROMETER MINIMUM
半田付け部: 金メッキ 0.4マイクロメートル以下
SOLDER TAIL AREA: GOLD 0.4 MICROMETER MAXIMUM
下地メッキ: ニッケルメッキ 1.5マイクロメートル以上
UNDER PLATING: NICKEL 1.5 MICROMETER MINIMUM
ネイル
NAIL
鍍メッキ 3.0マイクロメートル以上
Sn 3.0 MICROMETER MINIMUM
下地メッキ: ニッケルメッキ 1.0マイクロメートル以上
UNDER PLATING: Ni 1.0 MICROMETER MINIMUM
3. テール平坦度は、0.08ミリメートル以下。テールとネイルを併せた平坦度は、0.1ミリメートル以下。
TAIL COPLANARITY TO BE 0.08 MAXIMUM. TAILS AND NAILS COPLANARITY TO BE 0.1 MAXIMUM.
4. 嵌合相手: 55299-**** (H=3mm)
55201-****, 55650-**** (H=2mm)
MATED CONN.: 55299-**** (H=3mm)
55201-****, 55650-**** (H=2mm)
5. この製品は54363-**01, (エンボス梱包品 54363-**08) の鉛フリー品です。
THIS PRODUCT IS 'LEAD FREE' OF 54363-**01, (EMBOSSSED TAPE PKG 54363-**08)

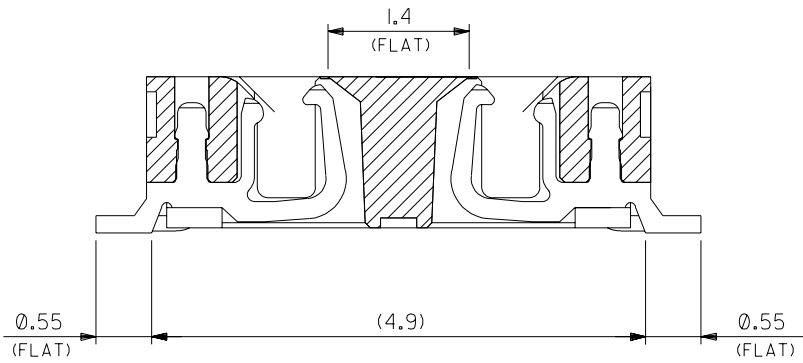


40.5	41.9	39.5	43.9	54363-1678	54363-1671	160	—
35.5	36.9	34.5	38.9	54363-1478	54363-1471	140	○
30.5	31.9	29.5	33.9	54363-1278	54363-1271	120	○
28	29.4	27	31.4	54363-1178	54363-1171	110	○
25.5	26.9	24.5	28.9	54363-1078	54363-1071	100	○
23	24.4	22	26.4	54363-0978	54363-0971	90	—
20.5	21.9	19.5	23.9	54363-0878	54363-0871	80	○
18	19.4	17	21.4	54363-0778	54363-0771	70	○
15.5	16.9	14.5	18.9	54363-0678	54363-0671	60	○
13	14.4	12	16.4	54363-0578	54363-0571	50	○
10.5	11.9	9.5	13.9	54363-0478	54363-0471	40	○
8	9.4	7	11.4	54363-0378	54363-0371	30	○
5.5	6.9	4.5	8.9	54363-0278	54363-0271	20	○
D	C	B	A	エンボス梱包品 EMBOSSSED TAPE PACKAGING	製品番号 MATERIAL NO.	極数 CIRCUITS	量産対応 AVAILABLE

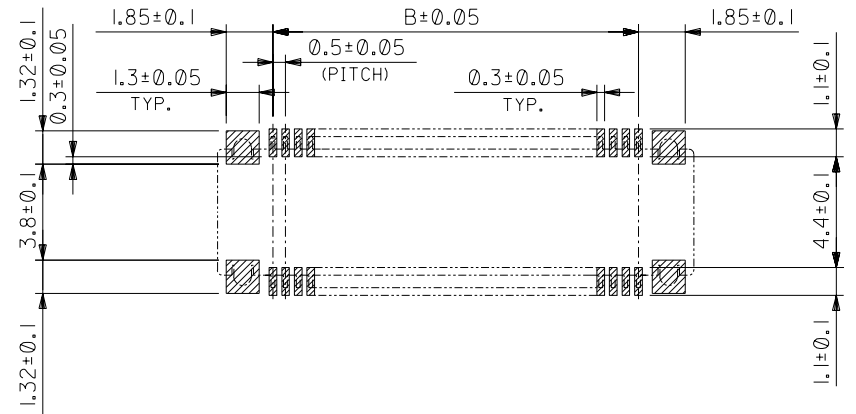
DO NOT SCALE DRAWING

EC NO. DRWN: CHK: APPR:	EC NO. DRWN: CHK: APPR:	EC NO. DRWN: CHK: APPR:	REVISED ECNNO. J2004-2225 DRWN: A.IDA '04/02/02 CHK: H.TAKASE APPR: J.MIYAZAWA/YO.ITO	RELEASED ECNNO. J2004-1740 DRWN: A.IDA '04/01/06 CHK: H.TAKASE APPR: J.MIYAZAWA/YO.ITO	MATERIAL 材料 注記参照 SEE NOTES	FINISH 仕上げ 注記参照 SEE NOTES	WIRE RANGE 適用線径範囲	INS. RANGE 被覆外径
			A	0				

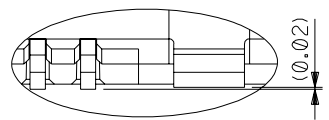
GENERAL TOLERANCES: (UNLESS SPECIFIED) 一般公差	SCALE 10-1	DESIGN UNITS <input checked="" type="checkbox"/> mm <input type="checkbox"/> INCH	THIRD ANGLE PROJECTION <input type="checkbox"/> mm <input type="checkbox"/> INCH <input checked="" type="checkbox"/> mm ONLY	SHT REV	REVISE ON CAD ONLY
10 UNDER 未満	±0.2	DRAWN BY & DATE A. Iida '04/01/06	TITLE: 0.5 mm PITCH B/B CONN. REC. HOUSING ASS'Y (H=2,3mm) WITH FITTING NAIL -LEAD FREE-	MOLEX INCORPORATED	
10 OVER 以上	±0.25	CHECKED BY & DATE R. Takase '04/01/06		MATERIAL NO. SEE CHART	DRAWING NO. SD-54363-038
30 OVER 以上	±0.3	APPROVED BY & DATE Y. Ito '04/01/06		SHEET NO. 1 OF 2	SIZE B
ANGLE 角度	±3°	CAD FILENAME SD-54363-038.S01	THIS DRAWING CONTAINS INFORMATION THAT IS PROPRIETARY TO MOLEX INCORPORATED AND SHOULD NOT BE USED WITHOUT WRITTEN PERMISSION.		EN-02J(097) MXJ-54



製品断面図 (半田付け部 吸着面寸法)
DETAIL FOR SOLDERING AND VACUUM AREA



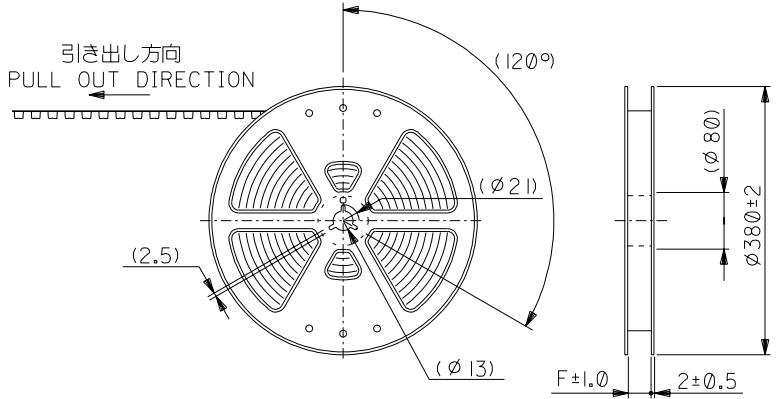
推奨基板寸法
RECOMMENDED PCB PATTERN LAYOUT
(SCALE:5-1)



T部詳細
DETAIL T

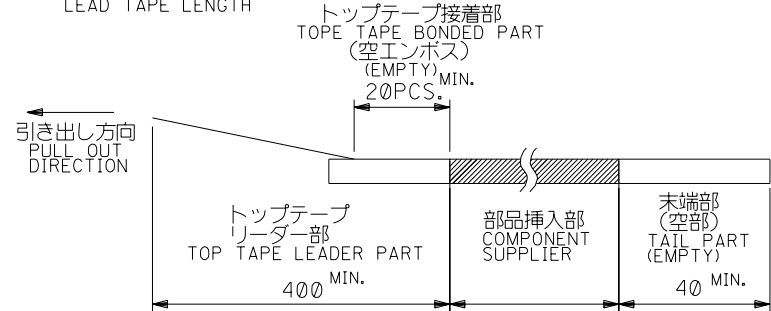
DO NOT SCALE DRAWING

EC NO. DRWN: CHK: APPR:		EC NO. DRWN: CHK: APPR:		EC NO. DRWN: CHK: APPR:		EC NO. DRWN: CHK: APPR:		SEE SHEET 1 OF 2 EC NO. DRWN: CHK: APPR:		MATERIAL 材料 注記参照 SEE NOTES		GENERAL TOLERANCES: (UNLESS SPECIFIED) 一般公差		SCALE 20-1		DESIGN UNITS <input checked="" type="checkbox"/> mm <input type="checkbox"/> INCH		THIRD ANGLE PROJECTION		DIMENSIONS: <input type="checkbox"/> mm <input type="checkbox"/> INCH <input checked="" type="checkbox"/> mm ONLY		SHT REV	
										FINISH 仕上り 注記参照 SEE NOTES		10 UNDER 未満 ±0.2		DRAWN BY & DATE A. Iida '04/01/06		TITLE: 0.5 mm PITCH B/B CONN. REC. HOUSING ASS'Y (H=2,3mm) WITH FITTING NAIL -LEAD FREE-		MOLEX INCORPORATED		REVISE ON CAD ONLY			
										WIRE RANGE 適用電線範囲 #		10 OVER 30 UNDER 以上 未満 ±0.25		CHECKED BY & DATE R. Takase '04/01/06									
										INS. RANGE 被覆外径 #		30 OVER 以上 ±0.3		APPROVED BY & DATE Y. Ota '04/01/06									
										ANGLE 角度 ±3°		CAD FILENAME SD-54363-038.S02		MATERIAL NO. SEE CHART		DRAWING NO. SD-54363-038		SHEET NO. 2		SIZE B			
THIS DRAWING CONTAINS INFORMATION THAT IS PROPRIETARY TO MOLEX INCORPORATED AND SHOULD NOT BE USED WITHOUT WRITTEN PERMISSION.																							



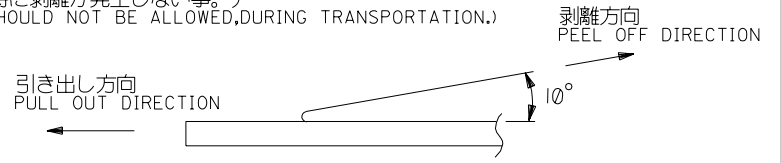
注)
NOTES

- 製品番号54363-***71 詳細寸法については、製品単体図面を参照下さい。
IN THE PACKAGE PART NUMBER 54363-***71 DETAILED DIMENSIONS, SEE SALES DRAWING FOR CONNECTOR.
- 梱包数量：2500個/リール
NUMBER OF CONNECTORS:2500 PCS/REEL.
- リードテープ長さ
LEAD TAPE LENGTH



- トップテープの剥離強度：(剥離方向は下図参照)
PEELING OFF FORCE OF TOP TAPE (PELLING DIRECTION AS SHOWN IN FOLLOWING FIGURE.)
0. 1~1. 3N (10~130gf)

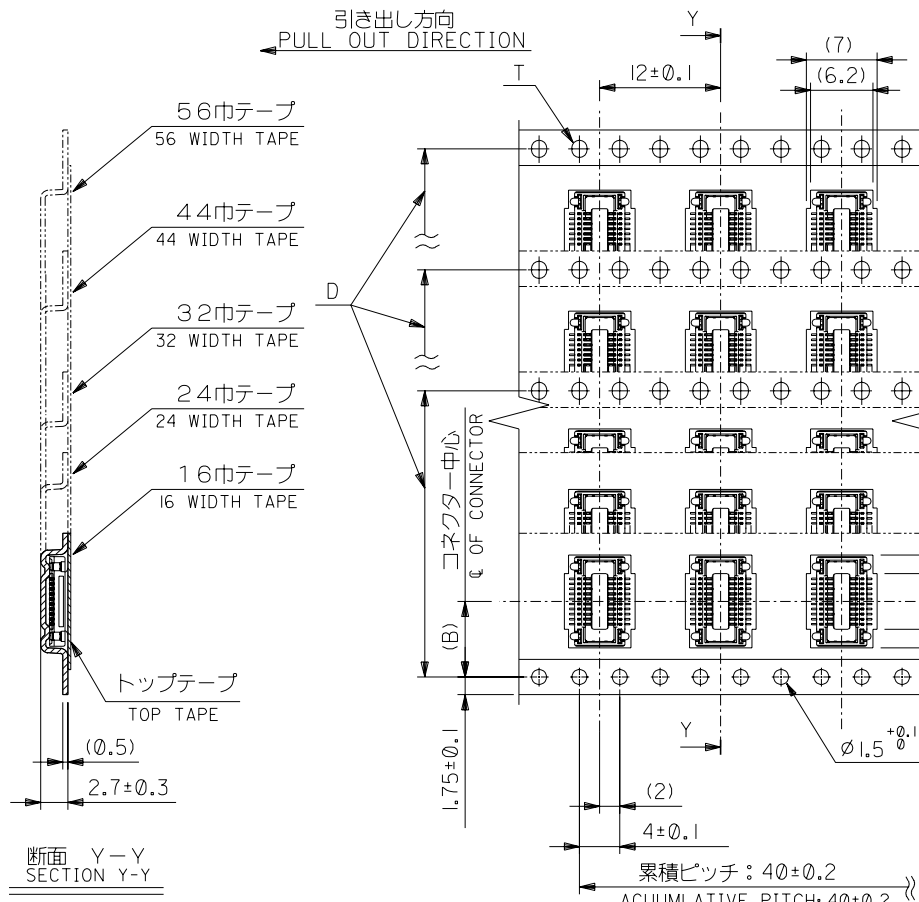
尚、本規格値は、出荷時に適用。
THIS REQUIREMENT SHOULD BE APPLIED AT SHIPMENT.
(但し、輸送時に剥離が発生しない事。)
(PEEL OFF SHOULD NOT BE ALLOWED,DURING TRANSPORTATION.)



- 材料
MATERIAL
キャリアテープ：ポリプロピレン (PP)
CARRIER TAPE:POLYPROPYLENE(PP)
トップテープ：PET, PE, PEF
TOP TAPE:PET,PE,PEF
リール：ポリスチレン
REEL : POLYSTYRENE
- この製品は54363-***01, (エンボス梱包品 54363-***08)の鉛フリー品です。
THIS PRODUCTE IS 'LEAD FREE' OF 54363-***01,(EMBOSSD TAPE PKG 54363-***08)

DO NOT SCALE DRAWING

EC NO. DRWN: CHK: APPR:	EC NO. DRWN: CHK: APPR:	EC NO. DRWN: CHK: APPR:	REVISED	RELEASED	MATERIAL 材料	GENERAL TOLERANCES: (UNLESS SPECIFIED) 一般公差	SCALE	DESIGN UNITS	THIRD ANGLE PROJECTION	DIMENSIONS:	SHT	REV
			ECNNO. J2004-2225 DRWN: A.IDA '04/02/02 CHK: H.TAKASE APPR:MIYAZAWA/YO.ITO	ECNNO. J2004-1740 DRWN: A.IDA '04/01/06 CHK: H.TAKASE APPR:MIYAZAWA/YO.ITO		FINISH 仕上げ	10 UNDER 未満 ±0.2	NONE	mm	mm	mm	mm
A	0	REV	DESCRIPTION	DESCRIPTION	FINISH RANGE 適用層被範囲	10 OVER 30 UNDER 未満 ±0.25	DRAWN BY & DATE	CHECKED BY & DATE	TITLE:			
			INS. RANGE 被覆外径	INS. RANGE 被覆外径	30 OVER 以上 ±0.3	A. Ida '04/01/06	R. Takase '04/01/06	54363-***71 TAPING PACKAGE -LEAD FREE-				
						ANGLE 角度	APPROVED BY & DATE	CAD FILENAME	MATERIAL NO.	DRAWING NO.	SHEET NO.	
							Y. Ito '04/01/06	SD-54363-039.S01	SEE CHART	SD-54363-039	1 OF 2	
										THIS DRAWING CONTAINS INFORMATION THAT IS PROPRIETARY TO MOLEX INCORPORATED AND SHOULD NOT BE USED WITHOUT WRITTEN PERMISSION.		SIZE B



57.5	56±0.3	52.4	44.2 39.2 34.2	26.2	40.55 35.55 30.55	54363-1678 54363-1478 54363-1278	160 140 120	— ○ ○
45.5	44±0.3	40.4	31.7 29.2 26.7 24.2	20.2	28.05 25.55 23.05 20.55	54363-1178 54363-1078 54363-0978 54363-0878	110 100 90 80	○ ○ — ○
33.5	32±0.3	28.4	21.7 19.2	14.2	18.05 15.55	54363-0778 54363-0678	70 60	○ ○
25.5	24±0.3	—	16.7 14.2 11.7	11.5	13.05 10.55 8.05	54363-0578 54363-0478 54363-0378	50 40 30	○ ○ ○
17.5	16±0.3	—	9.2	7.5	5.55	54363-0278	20	○
F	E キャリアテープ幅 CARRIER TAPE WIDTH	D	(C)	(B)	(A)	製品番号 MATERIAL NO.	極数 CIRCUITS	量産対応 AVAILABLE

DO NOT SCALE DRAWING

EC NO. DRAWN: CHK: APPR:	EC NO. DRAWN: CHK: APPR:	EC NO. DRAWN: CHK: APPR:	EC NO. DRAWN: CHK: APPR:	EC NO. DRAWN: CHK: APPR:	SEE SHEET 1 OF 2 ECNNO. DRAWN: CHK: APPR:	DESCRIPTION MATERIAL 材料 —#— FINISH 仕上げ —#— WIRE RANGE 適用配線範囲 —#— INS. RANGE 被覆外径 —#—
-----------------------------------	-----------------------------------	-----------------------------------	-----------------------------------	-----------------------------------	---	--

GENERAL TOLERANCES: (UNLESS SPECIFIED) 一般公差	SCALE NONE	DESIGN UNITS <input checked="" type="checkbox"/> mm <input type="checkbox"/> INCH	THIRD ANGLE PROJECTION <input checked="" type="checkbox"/> mm <input type="checkbox"/> INCH <input type="checkbox"/> mm ONLY	SHT REV
10 UNDER 未滿	±0.2	DRAWN BY & DATE A. Iida 04/01/06	TITLE: 54363-***71 TAPING PACKAGE	—
10 OVER 以上	±0.25	CHECKED BY & DATE R. Takase 04/01/06	—LEAD FREE—	—
30 OVER 以上	±0.3	APPROVED BY & DATE Y. Iida 04/01/06	MOLEX MOLEX INCORPORATED	—
ANGLE 角度	±3°	CAD FILENAME SD-54363-039.S02	MATERIAL NO. SEE CHART	DRAWING NO. SD-54363-039
THIS DRAWING CONTAINS INFORMATION THAT IS PROPRIETARY TO MOLEX INCORPORATED AND SHOULD NOT BE USED WITHOUT WRITTEN PERMISSION.				SIZE B