



Chipsmall Limited consists of a professional team with an average of over 10 year of expertise in the distribution of electronic components. Based in Hongkong, we have already established firm and mutual-benefit business relationships with customers from,Europe,America and south Asia,supplying obsolete and hard-to-find components to meet their specific needs.

With the principle of “Quality Parts,Customers Priority,Honest Operation,and Considerate Service”,our business mainly focus on the distribution of electronic components. Line cards we deal with include Microchip,ALPS,ROHM,Xilinx,Pulse,ON,Everlight and Freescale. Main products comprise IC,Modules,Potentiometer,IC Socket,Relay,Connector.Our parts cover such applications as commercial,industrial, and automotives areas.

We are looking forward to setting up business relationship with you and hope to provide you with the best service and solution. Let us make a better world for our industry!



Contact us

Tel: +86-755-8981 8866 Fax: +86-755-8427 6832

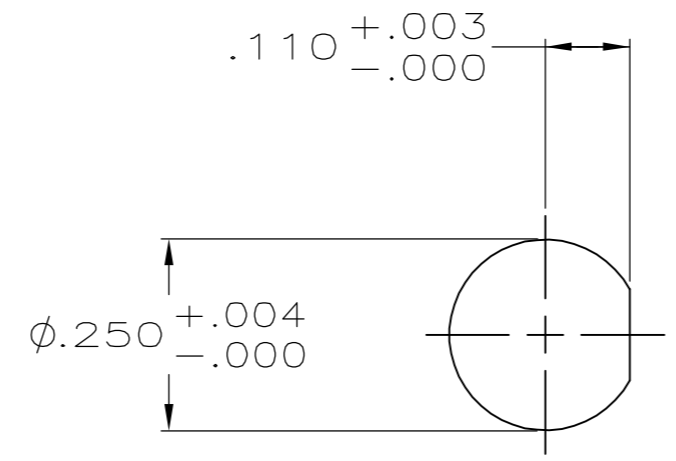
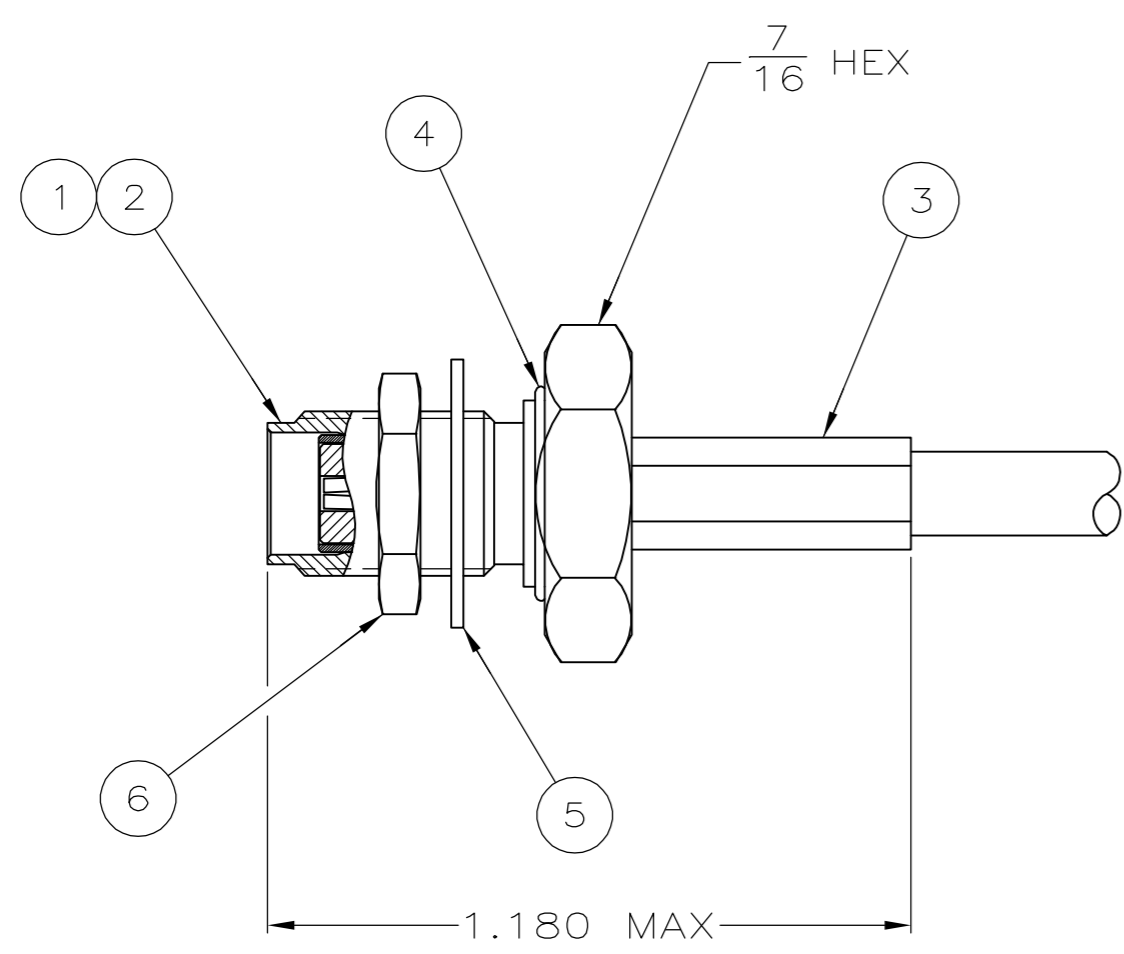
Email & Skype: info@chipsmall.com Web: www.chipsmall.com

Address: A1208, Overseas Decoration Building, #122 Zhenhua RD., Futian, Shenzhen, China



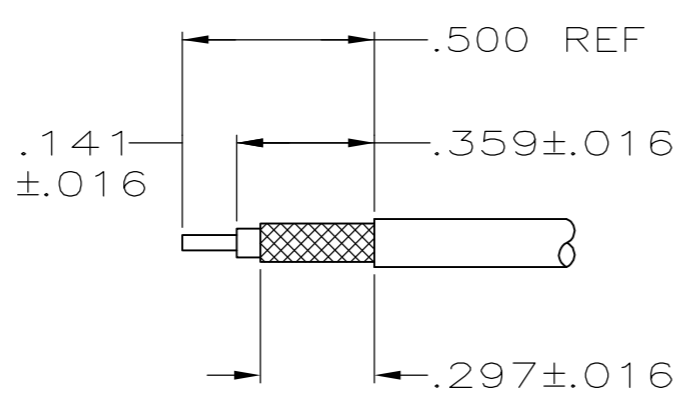
THIS DRAWING IS UNPUBLISHED. RELEASED FOR PUBLICATION
 © COPYRIGHT BY TYCO ELECTRONICS CORPORATION. ALL RIGHTS RESERVED.

LOC		DIST		REVISIONS			
P	LTR	DESCRIPTION		DATE	DWN	APVD	
	0	REV PER EC-0S14-0496-04		01FEB2005	LV	DC	



RECOMMENDED PANEL CUTOUT

- ⚠ FOR USE WITH RG-174/U, 188/U, AND 316/U CABLE.
- ⚠ CENTER CONTACT: CRIMPING TOOL M22520/2-01 POSITIONER, DMC K997 SELECTOR SETTING, SEE TABLE
- ⚠ FERRULE: CRIMPING TOOL M22520/5-01 DIE M22520/5-35 B OR .128X.400 HEX
- 4. PRODUCT MEETS PRODUCT SPECIFICATION 108-1574.
- 5. INSTRUCTION SHEET: 408-4032



RECOMMENDED STRIP LENGTH FOR CRIMPED CENTER CONTACT

⚠	4	⚠	⚠	2-332004-0	1-22145-3	1-22130-6	9-446556-1	447842-3	448105-2	5448103-2
FERRULE CRIMPING TOOL	SELECTOR SETTING	CENTER CONTACT CRIMPING TOOL	CABLE SIZE	⑥ JAM NUT QTY=1	⑤ LOCK-WASHER QTY=1	④ O-RING QTY=1	③ FERRULE QTY=1	② CONTACT QTY=1	① BULKHEAD JACK ASSY QTY=1	PART NUMBER

THIS DRAWING IS A CONTROLLED DOCUMENT.

DWN	L. VARELA - DOCK5	01FEB2005	 Tyco Electronics Corporation Harrisburg, PA 17105-3608
CHK	J. HAVENER	01FEB2005	
APVD	D. CAMELIO	01FEB2005	
NAME	D. CAMELIO		
DIMENSIONS: INCHES			PRODUCT SPEC
TOLERANCES UNLESS OTHERWISE SPECIFIED:			APPLICATION SPEC
0 PLC ± -			SIZE
1 PLC ± -			CAGE CODE
2 PLC ± -			DRAWING NO
3 PLC ± -			RESTRICTED TO
4 PLC ± -			SCALE
ANGLES ± -			SHEET
FINISH			OF
MATERIAL			REV
WEIGHT			0
CUSTOMER DRAWING			

5448103