



Chipsmall Limited consists of a professional team with an average of over 10 year of expertise in the distribution of electronic components. Based in Hongkong, we have already established firm and mutual-benefit business relationships with customers from,Europe,America and south Asia,supplying obsolete and hard-to-find components to meet their specific needs.

With the principle of “Quality Parts,Customers Priority,Honest Operation,and Considerate Service”,our business mainly focus on the distribution of electronic components. Line cards we deal with include Microchip,ALPS,ROHM,Xilinx,Pulse,ON,Everlight and Freescale. Main products comprise IC,Modules,Potentiometer,IC Socket,Relay,Connector.Our parts cover such applications as commercial,industrial, and automotives areas.

We are looking forward to setting up business relationship with you and hope to provide you with the best service and solution. Let us make a better world for our industry!



Contact us

Tel: +86-755-8981 8866 Fax: +86-755-8427 6832

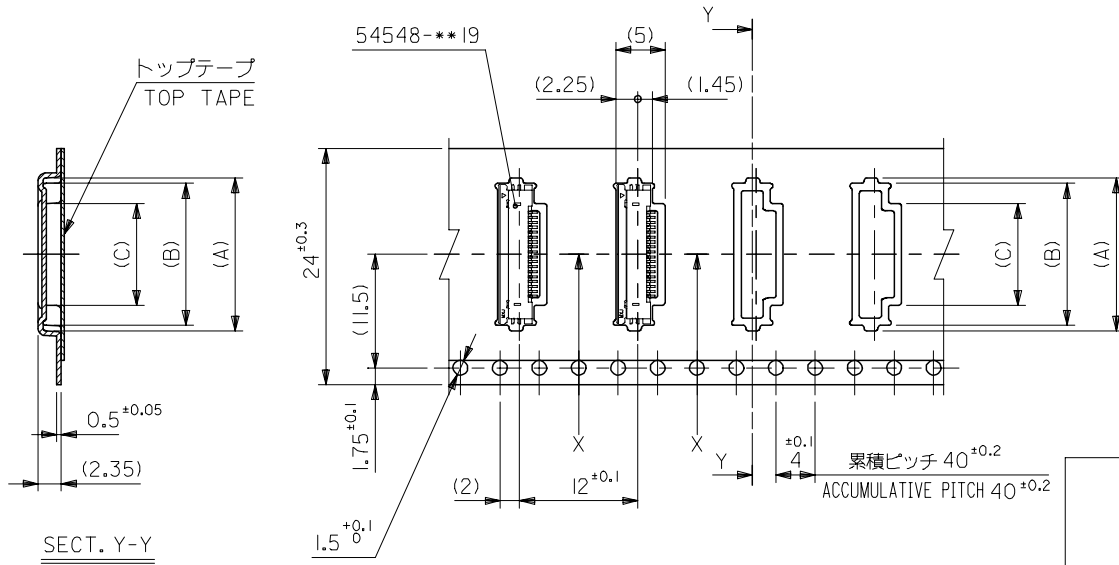
Email & Skype: info@chipsmall.com Web: www.chipsmall.com

Address: A1208, Overseas Decoration Building, #122 Zhenhua RD., Futian, Shenzhen, China



10 9 8 7 6 5 4 3 2 1

引き出し方向
PULL OUT DIRECTION



24mm幅キャリアテープ
24mm WIDTH CARRIER TAPE

24	29.4	25.4	12.3	16.4	17.5	54548-2270	22
			11.8	15.9	17	54548-2170	21
			11.3	15.4	16.5	54548-2070	20
			10.8	14.9	16	54548-1970	19
			10.3	14.4	15.5	54548-1870	18
			9.8	13.9	15	54548-1770	17
			9.3	13.4	14.5	54548-1670	16
			8.8	12.9	14	54548-1570	15
			8.3	12.4	13.5	54548-1470	14
			7.8	11.9	13	54548-1370	13
			7.3	11.4	12.5	54548-1270	12
			6.8	10.9	12	54548-1170	11
			6.3	10.4	11.5	54548-1070	10
			5.8	9.9	11	54548-0970	9
5.3	9.4	10.5	54548-0870	8			
4.8	8.9	10	54548-0770	7			
キャリアテープ幅 CARRIER TAPE WIDTH	E	D	(C)	(B)	(A)	製品番号 MATERIAL No.	極数 CIRCUIT

REVISED EC No: J2005-2516 2005/02/28 DRWN: NABEI 2005/02/28 CHKD: KTOYODA 2005/03/07 APPR: NUKITA	GENERAL TOLERANCES (UNLESS SPECIFIED)		DIMENSION STYLE MM ONLY		SCALE 2:1	DESIGN UNITS METRIC	THIRD ANGLE PROJECTION	
	10 UNDER	±0.2	DRAWN BY Y. WADA		DATE 2004/01/09		TITLE EMBSTP PKG FOR 0.5 FPC CONN ZIF HSG ASSY -LEAD FREE-	
	10 OVER 30 UNDER	±0.25	CHECKED BY M. SASAO		DATE 2004/01/09		MOLEX INCORPORATED	
	30 OVER	±0.3	APPROVED BY M. SASAO		DATE 2004/01/09		DOCUMENT NO. SD-54548-038	
	ANGULAR	±3 °	MATERIAL NO. SEE CHART		SHEET NO. 3 OF 4		THIS DRAWING CONTAINS INFORMATION THAT IS PROPRIETARY TO MOLEX INCORPORATED AND SHOULD NOT BE USED WITHOUT WRITTEN PERMISSION	

10 9 8 7 6 5 4 3 2 1

F

E

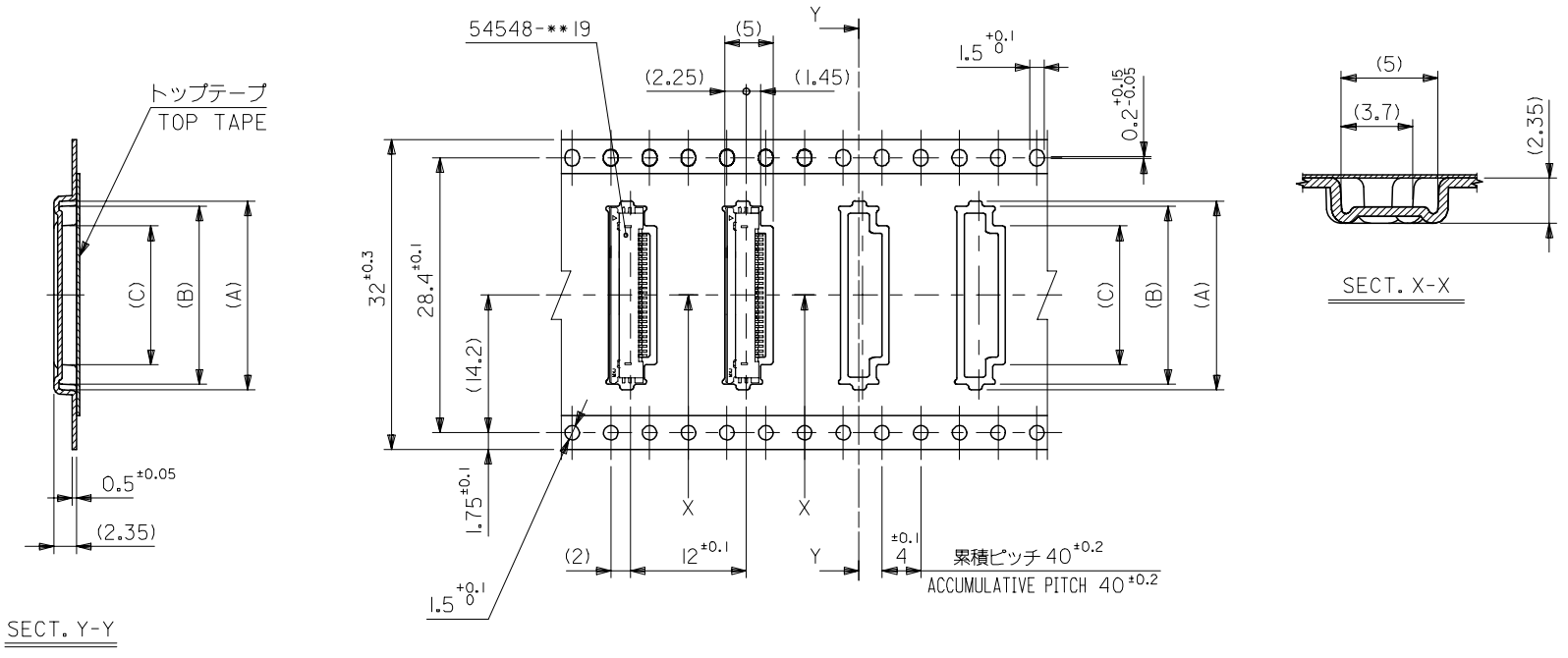
D

C

B

A

引き出し方向
PULL OUT DIRECTION



32mm幅キャリアテープ
32mm WIDTH CARRIER TAPE

32	37.4	33.4	14.3	18.4	19.5	54548-2670	26
キャリアテープ幅 CARRIER TAPE WIDTH	E	D	(C)	(B)	(A)	54548-2470	24
						製品番号 MATERIAL No.	極数 CIRCUIT

REVISED EC NO: J2005-2516 DRAWN: NABEI 2005/02/28 CHKD: KTOYODA 2005/02/28 APPR: NUKITA 2005/03/07	GENERAL TOLERANCES (UNLESS SPECIFIED)		DIMENSION STYLE MM ONLY		SCALE 2:1	DESIGN UNITS METRIC	THIRD ANGLE PROJECTION
	10 UNDER	±0.2	DRAWN BY Y. WADA	DATE 2004/01/09	TITLE EMBSTP PKG FOR 0.5 FPC CONN ZIF HSG ASSY -LEAD FREE-		
	10 OVER 30 UNDER	±0.25	CHECKED BY M. SASAO	DATE 2004/01/09			
	30 OVER	±0.3	APPROVED BY M. SASAO	DATE 2004/01/09	MOLEX INCORPORATED DOCUMENT NO. SD-54548-038 SHEET NO. 4 OF 4		
ANGULAR	±3 °	MATERIAL NO. SEE CHART					
DRAFT WHERE APPLICABLE MUST REMAIN WITHIN DIMENSIONS		THIS DRAWING CONTAINS INFORMATION THAT IS PROPRIETARY TO MOLEX INCORPORATED AND SHOULD NOT BE USED WITHOUT WRITTEN PERMISSION					