



Chipsmall Limited consists of a professional team with an average of over 10 year of expertise in the distribution of electronic components. Based in Hongkong, we have already established firm and mutual-benefit business relationships with customers from,Europe,America and south Asia,supplying obsolete and hard-to-find components to meet their specific needs.

With the principle of “Quality Parts,Customers Priority,Honest Operation,and Considerate Service”,our business mainly focus on the distribution of electronic components. Line cards we deal with include Microchip,ALPS,ROHM,Xilinx,Pulse,ON,Everlight and Freescale. Main products comprise IC,Modules,Potentiometer,IC Socket,Relay,Connector.Our parts cover such applications as commercial,industrial, and automotives areas.

We are looking forward to setting up business relationship with you and hope to provide you with the best service and solution. Let us make a better world for our industry!



Contact us

Tel: +86-755-8981 8866 Fax: +86-755-8427 6832

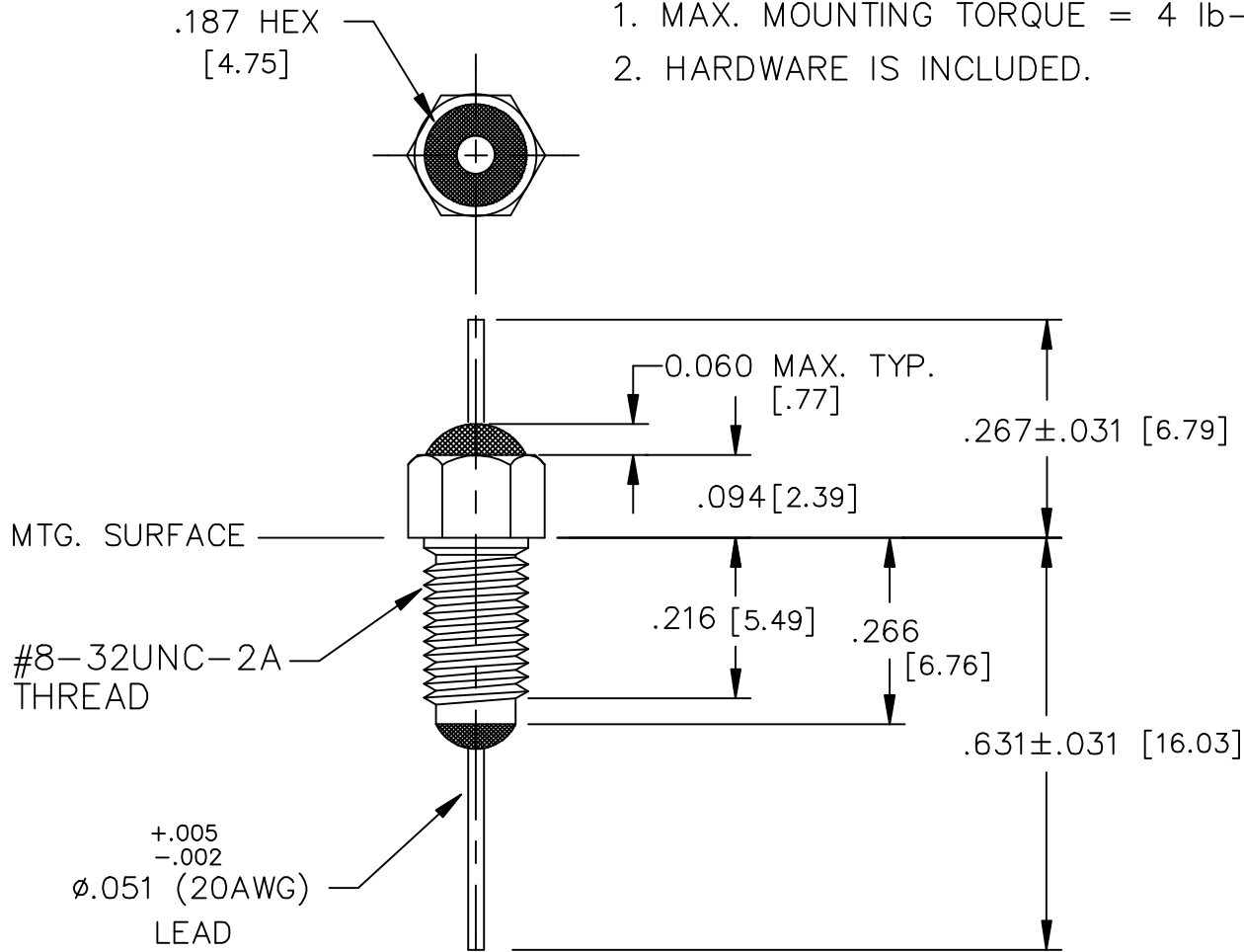
Email & Skype: info@chipsmall.com Web: www.chipsmall.com

Address: A1208, Overseas Decoration Building, #122 Zhenhua RD., Futian, Shenzhen, China

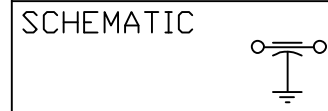


NOTES:

1. MAX. MOUNTING TORQUE = 4 lb-in.
2. HARDWARE IS INCLUDED.



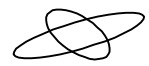
LEAD FINISH: SOLDER	
BUSHING FINISH: SILVER	
CAPACITANCE	100pF±20%
TEMP. RANGE	-55°C TO 85°C
CURRENT	20 AMP MAX.
WORKING VOLTAGE	125°C 300 VDC -----
D.C. RESISTANCE	.01ohms MAX.
MIN. I.L. PER MIL-STD-220 AT 25°C NO LOAD	
FREQ. MHz	I.L. (db)




MARKING:

PART: S 101M
 BAG PACK:
 54713001X5F101M
 DATE CODE
 QTY./BAG
 (200/BAG MAX.)

	5	4	3	2	1	0	REV. NO.	TOLERANCES UNLESS OTHERWISE SPECIFIED
	CN 68271-ENG	CN 194600	CN 189889	CN 188553	CN 186692	CN 185033	CHANGE NOTICE	Fractions ± 1/64
								Dec. .xx±
								Dec. .xxx±.010
								Angles ±0° 30'
								CODE IDENT. NO. DLSP2

api  **FAIRVIEW PENNSYLVANIA**
 technologies corp.

Dwn. SLAGLE	Description FT 
DATE 4-09-13	RESIN SEAL FILTER
Engr. M.McAlevy	54713001X5F101M
Scale NONE	