



Chipsmall Limited consists of a professional team with an average of over 10 year of expertise in the distribution of electronic components. Based in Hongkong, we have already established firm and mutual-benefit business relationships with customers from,Europe,America and south Asia,supplying obsolete and hard-to-find components to meet their specific needs.

With the principle of “Quality Parts,Customers Priority,Honest Operation,and Considerate Service”,our business mainly focus on the distribution of electronic components. Line cards we deal with include Microchip,ALPS,ROHM,Xilinx,Pulse,ON,Everlight and Freescale. Main products comprise IC,Modules,Potentiometer,IC Socket,Relay,Connector.Our parts cover such applications as commercial,industrial, and automotives areas.

We are looking forward to setting up business relationship with you and hope to provide you with the best service and solution. Let us make a better world for our industry!



Contact us

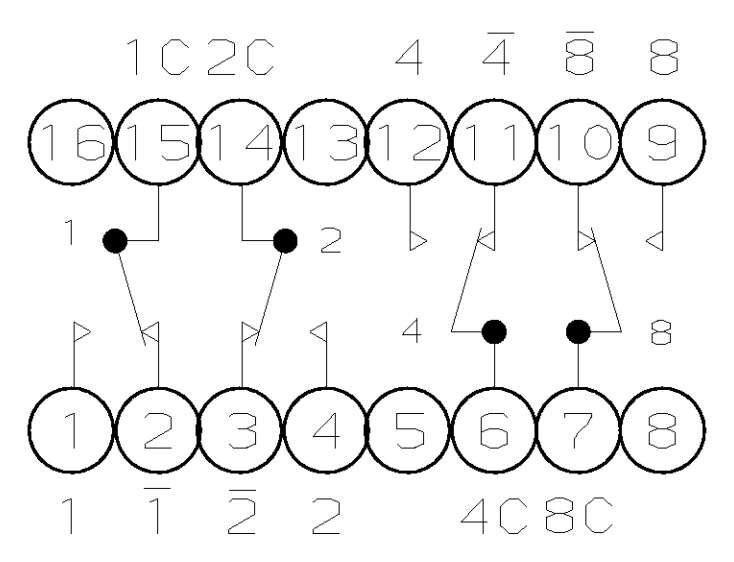
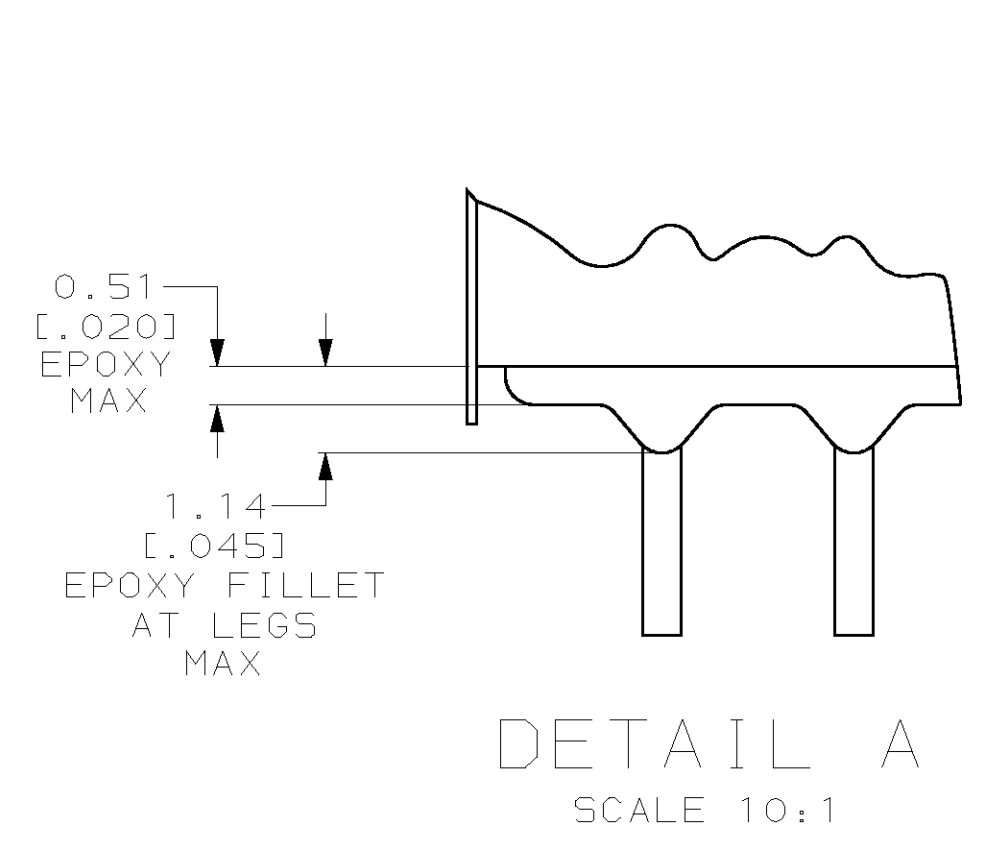
Tel: +86-755-8981 8866 Fax: +86-755-8427 6832

Email & Skype: info@chipsmall.com Web: www.chipsmall.com

Address: A1208, Overseas Decoration Building, #122 Zhenhua RD., Futian, Shenzhen, China



| LOC | DIST | REVISIONS | | | |
|-----|------|-----------|---------------------------------|---------|-------|
| REV | BY | DATE | APPV | DATE | APPV |
| AG | 1 | J | REDRAWN ON CAD PER 0330-0026-96 | 1-8-97 | WS JR |
| | | K | REV PER EC 063C-0381-01 | 02MAY02 | MB HW |

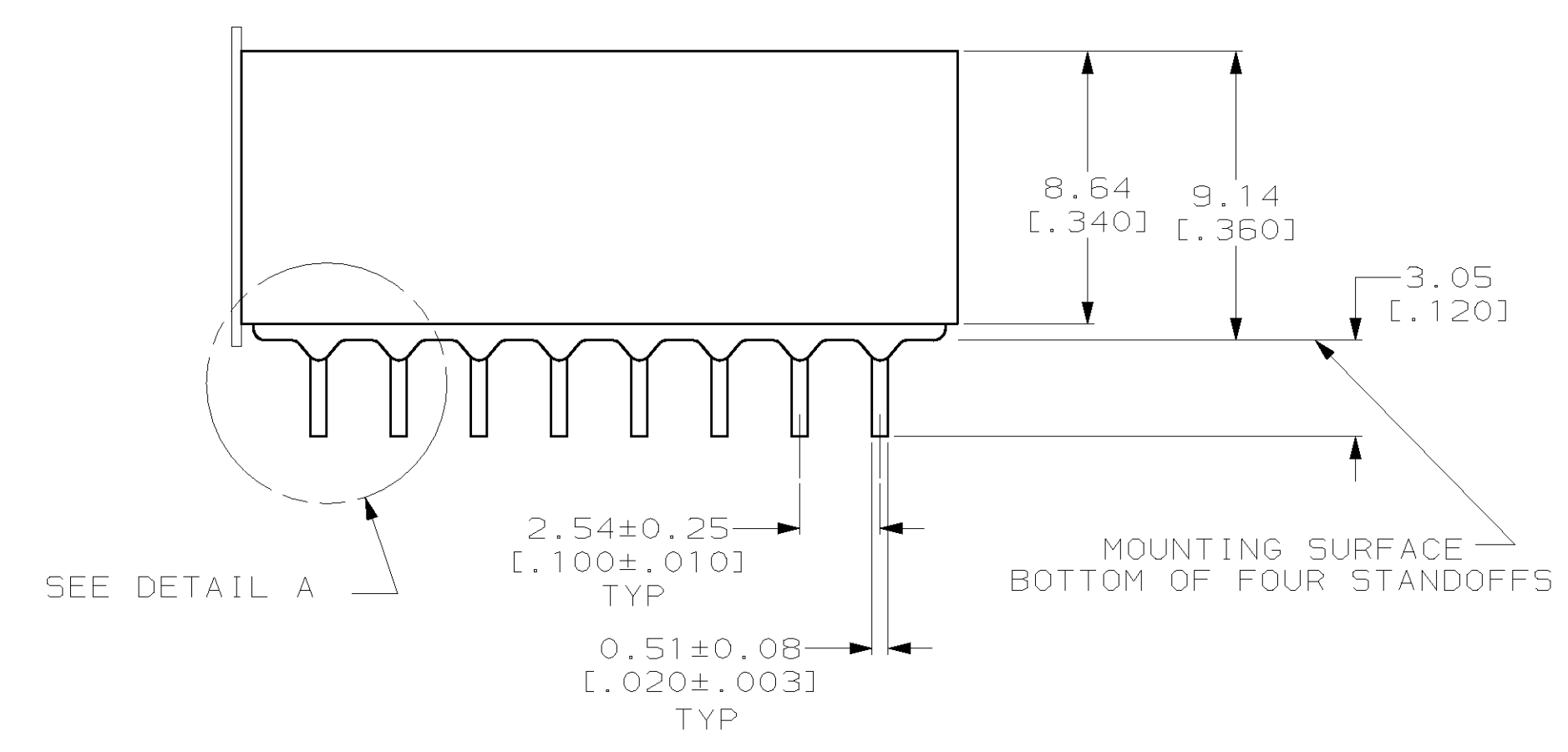
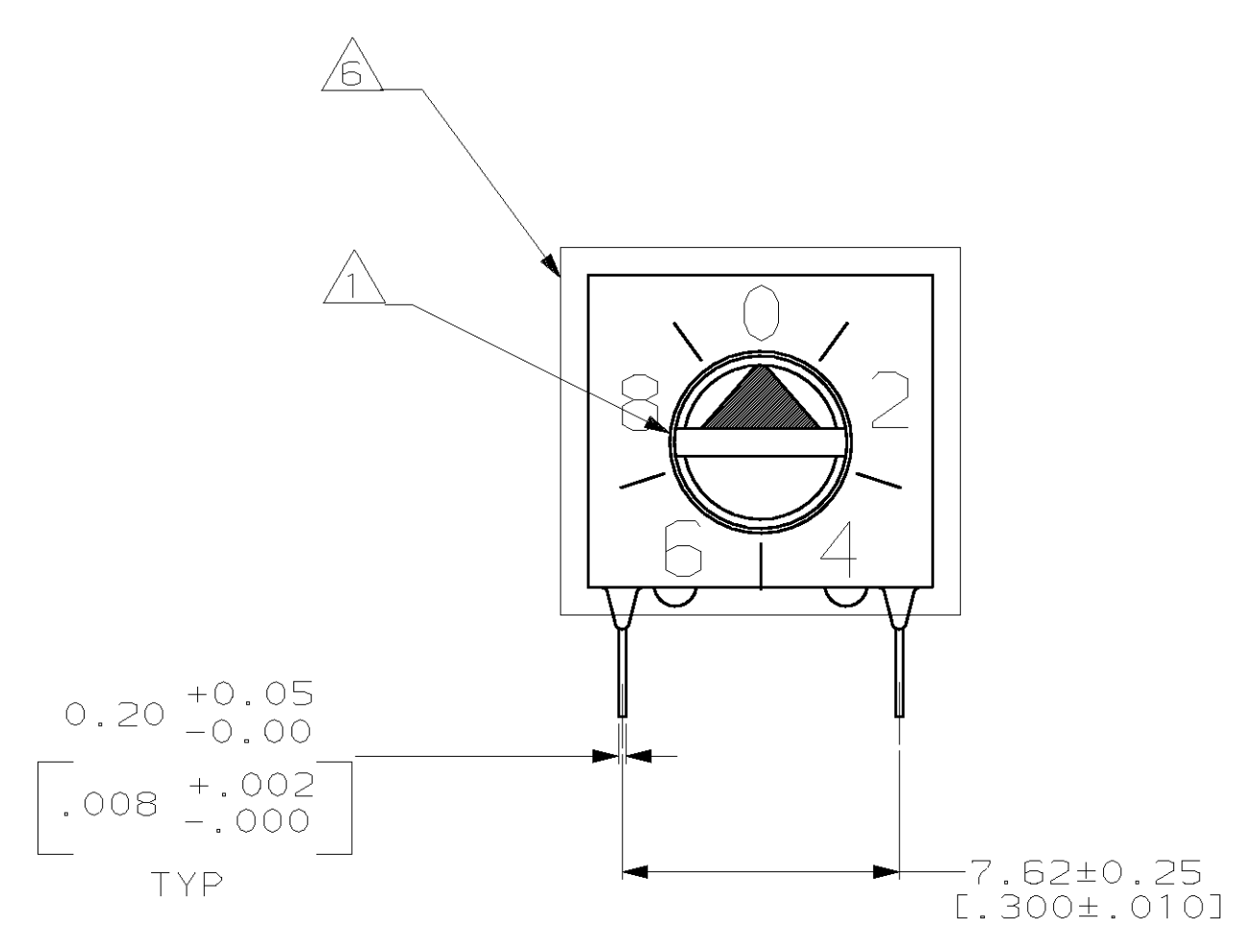
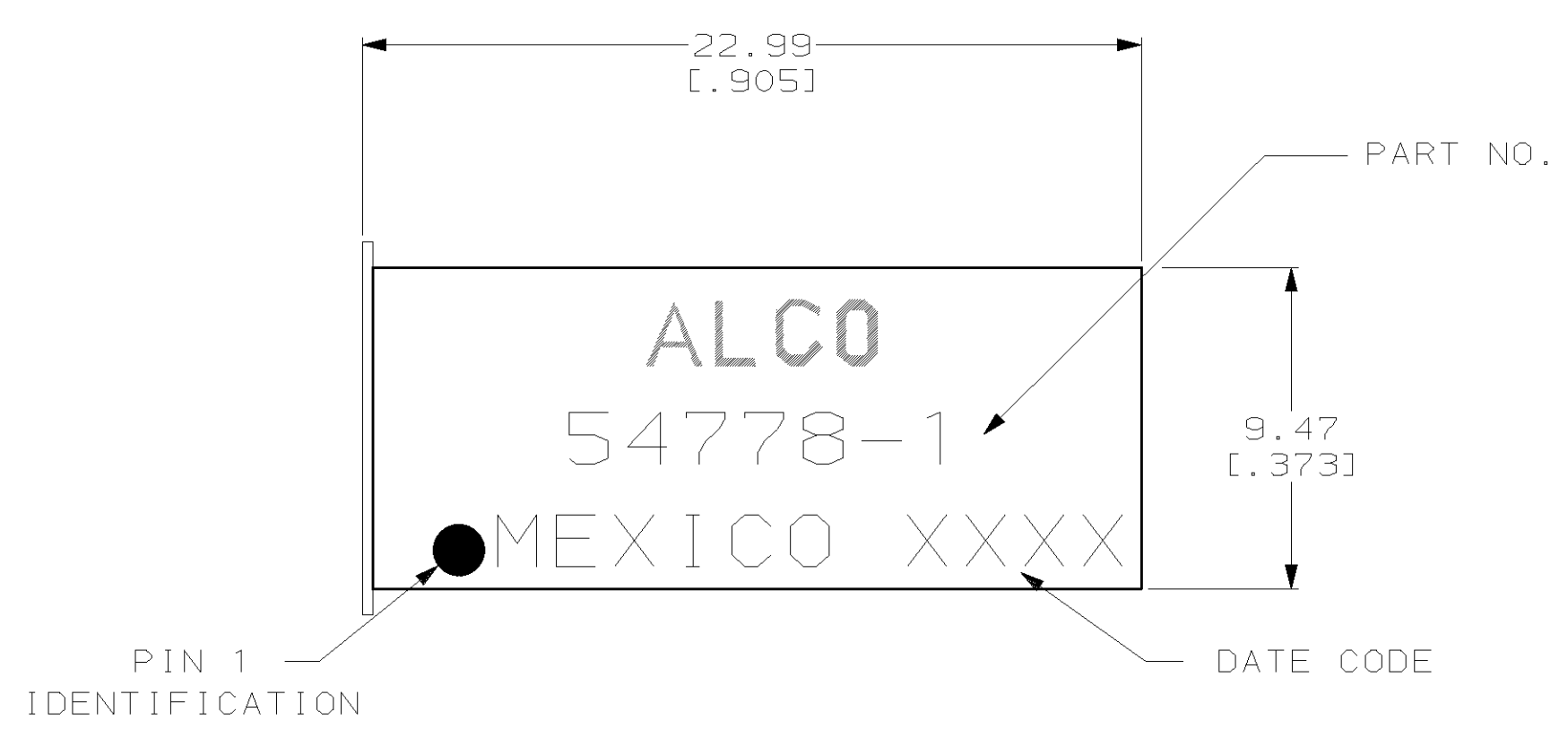


SCHEMATIC
(POSITION 0)

- △ SLOT FOR SCREWDRIVER ACTUATION, AFTER REMOVAL OF TAPE.
- 2. FOR ADDITIONAL SPECIFICATIONS SEE AMP PRODUCT SPEC 108-7066 AND INSTRUCTION SHEET 6811.
- 3. SWITCH BOTTOM IS SEALED.
- △ 4 CONTACT FINISH TO BE 0.00076 [.000030] GOLD OVER NICKEL.
- △ 5 MATERIAL:
HOUSING : BLACK POLYESTER
CONTACTS : BERYLLIUM COPPER.
- △ 6 REMOVABLE TAPE TO SEAL ACTUATOR END.

| | | POSITION | | | | | | | | | |
|-----------|---|----------|---|---|---|---|---|---|---|---|---|
| | | 0 | 1 | 2 | 3 | 4 | 5 | 6 | 7 | 8 | 9 |
| COMMON TO | 1 | | ● | | ● | | ● | | ● | | ● |
| | 2 | | | ● | ● | | | ● | ● | | |
| | 4 | | | | | ● | ● | ● | ● | | |
| | 8 | | | | | | | | | ● | ● |
| | 1 | ● | | ● | | ● | | ● | | ● | |
| | 2 | ● | ● | | | ● | ● | | | ● | ● |
| | 4 | ● | ● | ● | ● | | | | | ● | ● |
| | 8 | ● | ● | ● | ● | ● | ● | ● | ● | | |

BCD WITH COMPLEMENT



54778-1
PART NUMBER

| | | | |
|---|------------------------------|---|---|
| <small>THIS DRAWING IS A CONTROLLED DOCUMENT FOR AMP INCORPORATED. IT IS SUBJECT TO CHANGE AND THE CONTROLLING ENGINEERING DEPARTMENT SHALL BE CONTACTED FOR THE LATEST REVISION.</small> | | DWN: M. SORAH 1-8-97 CHK: R. TALLEY 1-8-97 APPV: J. ROBB 1-8-97 | AMP AMP Incorporated Harrisburg, PA 17105-3608 |
| DIMENSIONS (mm [INCHES]) TOLERANCES UNLESS OTHERWISE SPECIFIED: 0 PLC ±- 1 PLC ±- 2 PLC ±0.30 [.0123] 3 PLC ±- 4 PLC ±- ANGLES ±- | MATERIAL: △ 5 FINISH: △ 4 | PRODUCT SPEC: - APPLICATION SPEC: - WEIGHT: - CUSTOMER DRAWING | NAME: SWITCH ASSY, PREPROGRAMMED DIP, 10 POSITION, SCREWDRIVER SLOT SIZE: A1 CAGE CODE: 00779 DRAWING NO: C-54778 SCALE: 5:1 SHEET: 1 OF 1 REV: K |