



Chipsmall Limited consists of a professional team with an average of over 10 year of expertise in the distribution of electronic components. Based in Hongkong, we have already established firm and mutual-benefit business relationships with customers from,Europe,America and south Asia,supplying obsolete and hard-to-find components to meet their specific needs.

With the principle of “Quality Parts,Customers Priority,Honest Operation,and Considerate Service”,our business mainly focus on the distribution of electronic components. Line cards we deal with include Microchip,ALPS,ROHM,Xilinx,Pulse,ON,Everlight and Freescale. Main products comprise IC,Modules,Potentiometer,IC Socket,Relay,Connector.Our parts cover such applications as commercial,industrial, and automotives areas.

We are looking forward to setting up business relationship with you and hope to provide you with the best service and solution. Let us make a better world for our industry!



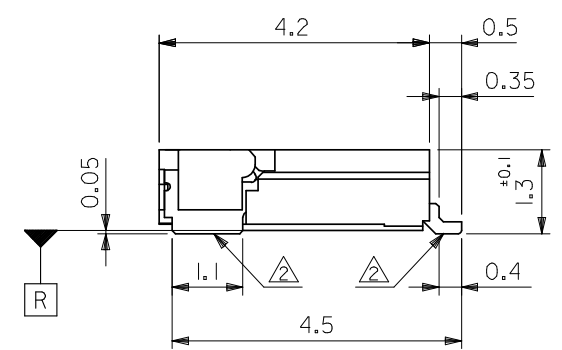
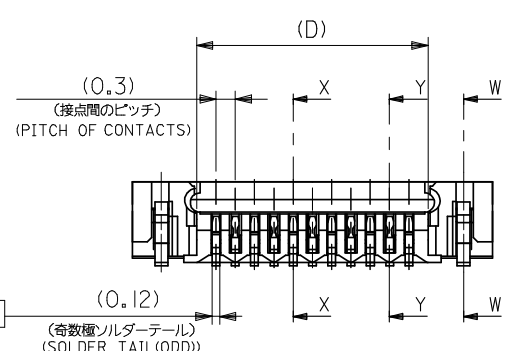
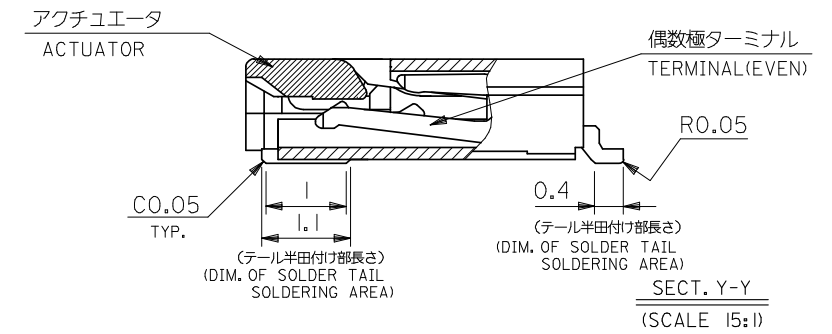
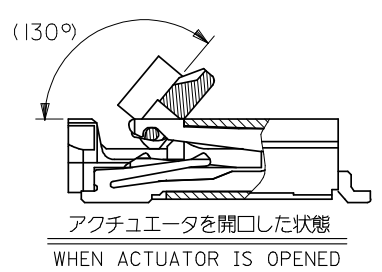
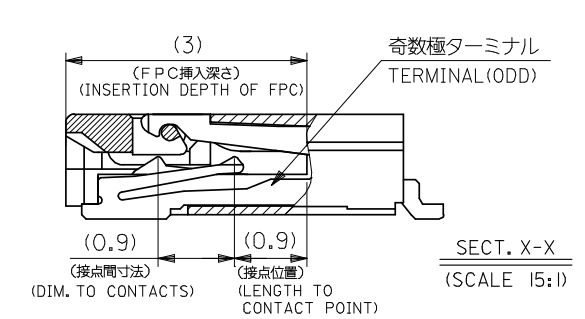
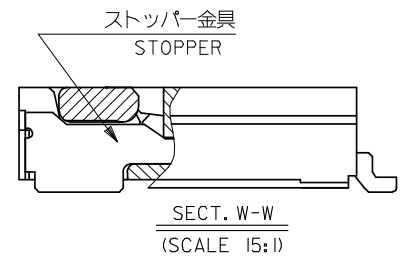
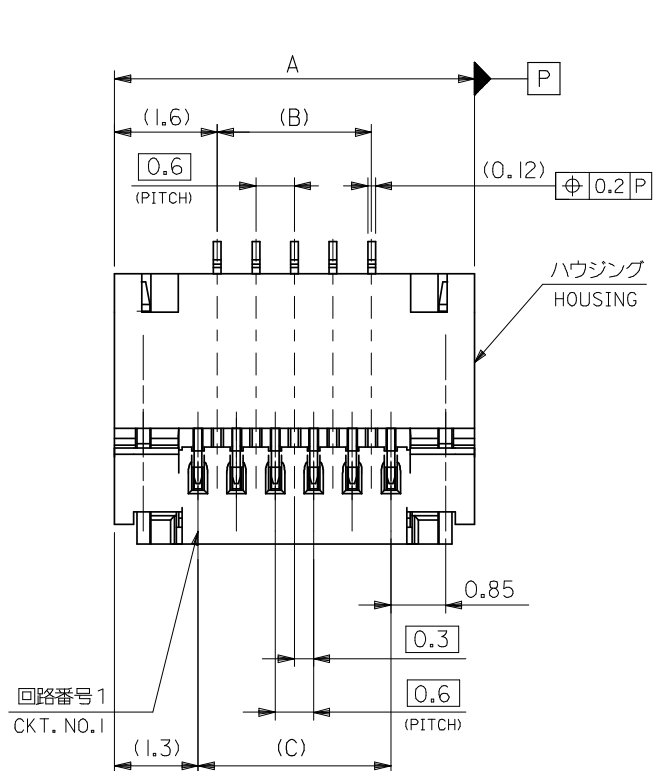
## Contact us

Tel: +86-755-8981 8866 Fax: +86-755-8427 6832

Email & Skype: info@chipsmall.com Web: www.chipsmall.com

Address: A1208, Overseas Decoration Building, #122 Zhenhua RD., Futian, Shenzhen, China



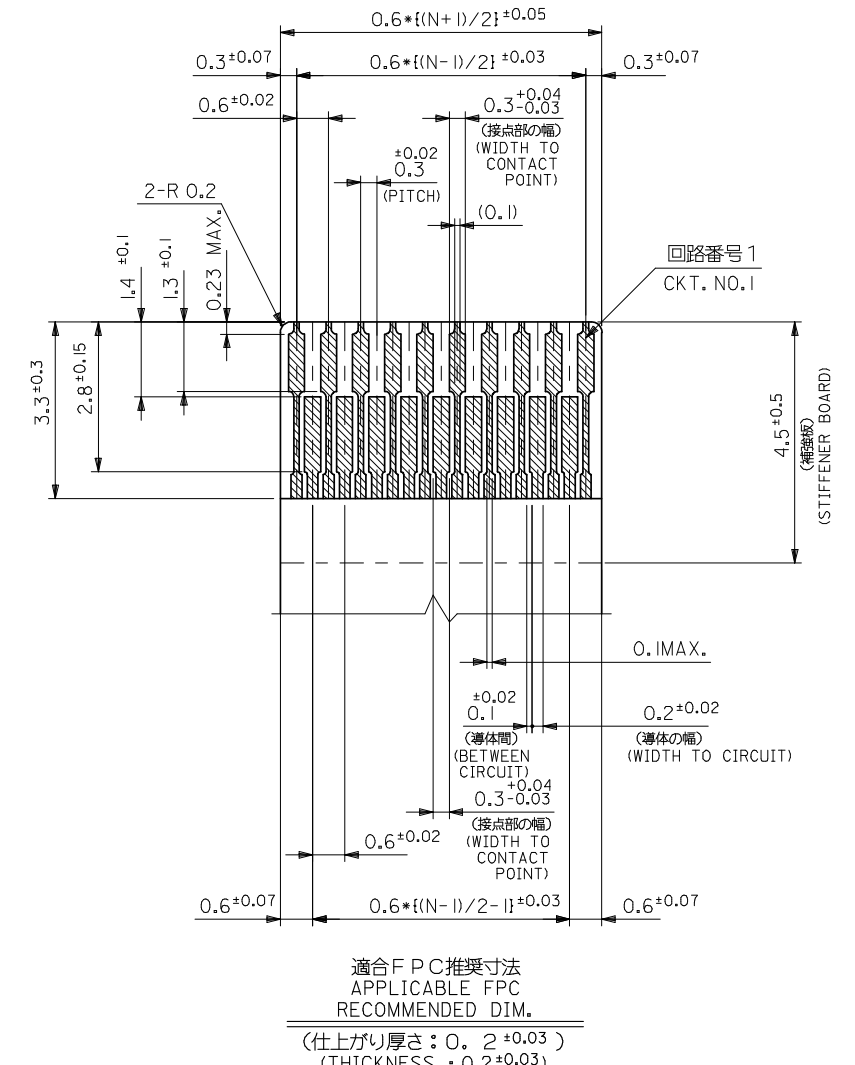
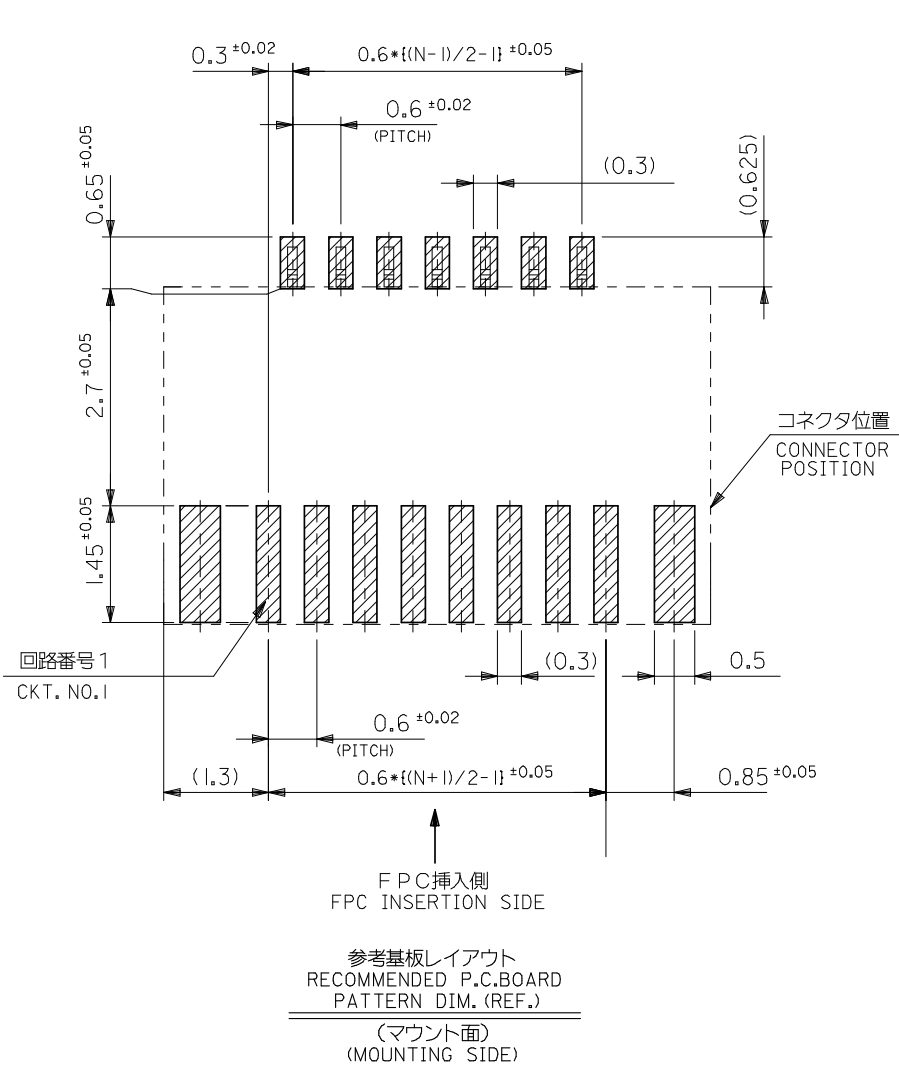


15.6	15.0	14.4	17.6	54809-5198	54809-5128	51
15.0	14.4	13.8	17.0	54809-4998	54809-4928	49
13.8	13.2	12.6	15.8	54809-4598	54809-4528	45
12.0	11.4	10.8	14.0	54809-3998	54809-3928	39
10.8	10.2	9.6	12.8	54809-3598	54809-3528	35
10.2	9.6	9.0	12.2	54809-3398	54809-3328	33
9.6	9.0	8.4	11.6	54809-3198	54809-3128	31
8.4	7.8	7.2	10.4	54809-2798	54809-2728	27
7.8	7.2	6.6	9.8	54809-2598	54809-2528	25
7.2	6.6	6.0	9.2	54809-2398	54809-2328	23
6.6	6.0	5.4	8.6	54809-2198	54809-2128	21
6.0	5.4	4.8	8.0	54809-1998	54809-1928	19
4.8	4.2	3.6	6.8	54809-1598	54809-1528	15
3.6	3.0	2.4	5.6	54809-1198	54809-1128	11
D	C	B	A	EMBOSSED TAPE ORDER No. オーダー番号		MATERIAL NO. CKT.

注記 NOTES

1. 使用材料 MATERIAL  
 ハウジング HOUSING : LCP , UL94V-0  
 アクチュエータ ACTUATOR : PA 46 , UL94V-0  
 ターミナル : リン青銅 (t=0.12), 鍍・ピスマス (2%), ニッケル下地  
 TERMINAL PHOSPHOR BRONZE, TIN- 2% BISMUTH OVER NICKEL PLATING.  
 金具 : リン青銅 (t=0.2), 鍍メッキ, ニッケル下地  
 STOPPER PHOSPHOR BRONZE, TIN OVER NICKEL PLATING.
2. ソルダータール半田付け面のズレ量は、基準面 [R] に対し、  
 上方向0MAX. 下方向0.1MAX. とする。  
 又、相互のバラツキ量は0.1MAX. とする。  
 MISALIGNMENT OF SOLDER TAILS AND FITTING NAILS FROM [R]  
 UPPER DIRECTION : 0 MAX., LOWER DIRECTION : 0.1 MAX.  
 OFFSET BETWEEN SOLDER TAILS AND FITTING NAILS : 0.1 MAX.
3. 一般公差 : ±0.3  
 GENERAL TOLERANCES : ±0.3
4. 本製品は54809-\*\*\*27の鉛フリー品である。  
 THIS PRODUCT IS LEAD FREE OF 54809-\*\*\*27

REVISED EC NO: J2008-4026 DRW: NABEI 2008/05/27 CHK: THAYAMA 2008/05/27 APPR: NUKITA 2008/05/27	GENERAL TOLERANCES (UNLESS SPECIFIED)		DIMENSION STYLE MM ONLY		SCALE ---	DESIGN UNITS METRIC	THIRD ANGLE PROJECTION	
	10 UNDER	± ---	DRAWN BY M. NABEI	DATE '03/12/22	TITLE 0.3 FPC CONN E/O HSG ASSY (H=1.3) -LEAD FREE-			
	10 OVER 30 UNDER	± ---	CHECKED BY K. TOJO	DATE '03/12/22	MOLEX INCORPORATED			
	30 OVER	± ---	APPROVED BY M. SASAO	DATE '03/12/22	MATERIAL NO.	DOCUMENT NO. SD-54809-036	SHEET NO. 1 OF 2	
	ANGULAR ± --- °		DRAFT WHERE APPLICABLE MUST REMAIN WITHIN DIMENSIONS		THIS DRAWING CONTAINS INFORMATION THAT IS PROPRIETARY TO MOLEX INCORPORATED AND SHOULD NOT BE USED WITHOUT WRITTEN PERMISSION			



FPCについて:

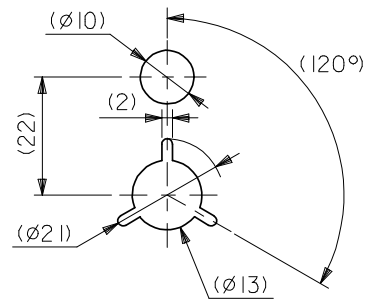
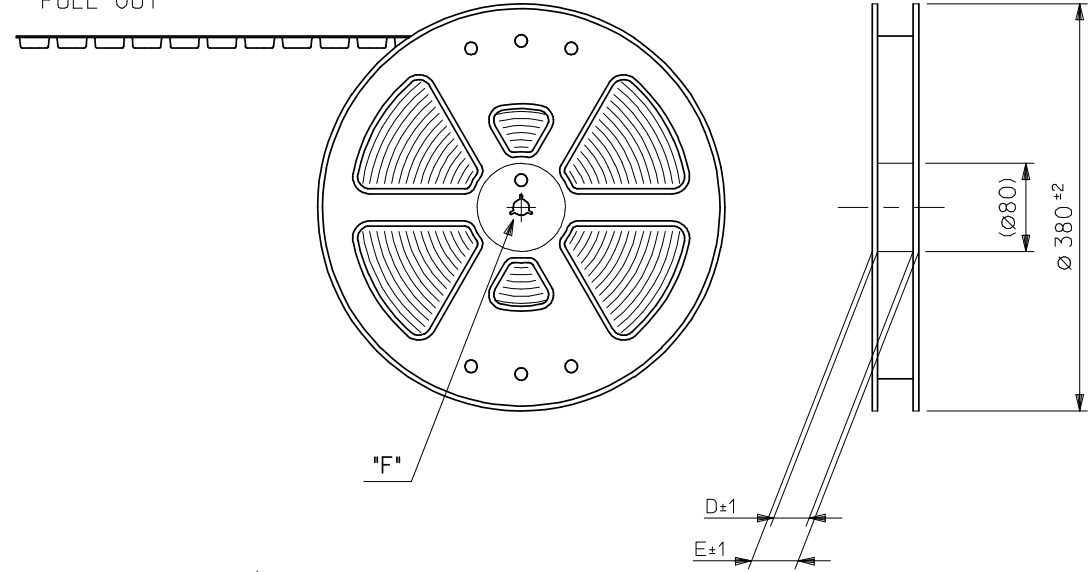
打抜き方向は、導体側から補強板側を推奨いたします。  
 補強フィルム材質は、ポリイミドを推奨いたします。  
 接着剤は、熱硬化接着剤を推奨いたします。

ABOUT FPC  
 RECOMMENDED PUNCHER DIRECTION : FROM CONDUCTOR SIDE TO STIFFENER BOARD SIDE.  
 RECOMMENDED MATERIAL  
 STIFFENER FILM : POLYIMIDE  
 BONDING AGENT : TERMOSETTING BONDING AGENT

REVISED EC NO: J2008-4026 DRWN: NABEI CHKD: THARUYAMA APPR: NUKITA	2008/05/27 2008/05/27 2008/05/27	GENERAL TOLERANCES (UNLESS SPECIFIED)		DIMENSION STYLE	SCALE	DESIGN UNITS	THIRD ANGLE PROJECTION	
		10 UNDER ± ---		MM ONLY	---	METRIC	◎ □	
		10 OVER 30 UNDER ± ---		DRAWN BY DATE	TITLE			
		30 OVER ± ---		CHECKED BY DATE	0.3 FPC CONN E/O HSG ASSY (H=1.3) -LEAD FREE-			
		ANGULAR ± --- °		APPROVED BY DATE	MOLEX INCORPORATED			
DRAFT WHERE APPLICABLE MUST REMAIN WITHIN DIMENSIONS		MATERIAL NO.	DOCUMENT NO.		SHEET NO.			
		SEE SHEET 1	SD-54809-036		2 OF 2			
		THIS DRAWING CONTAINS INFORMATION THAT IS PROPRIETARY TO MOLEX INCORPORATED AND SHOULD NOT BE USED WITHOUT WRITTEN PERMISSION						

F

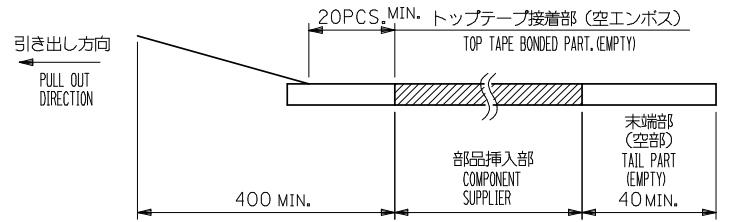
引き出し方向  
←  
PULL OUT



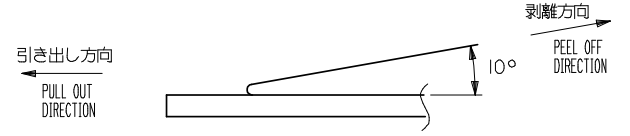
DETAIL "F"

注記 NOTES

1. 製品詳細寸法については、図面SD-54809-036を参照下さい。  
RE DETAILED DIMENSION, SEE SD-54809-036.
2. 梱包数量：2500個/リール  
NUMBER OF CONNECTORS : 2500PCS/REEL
3. リードテープ長さ LEAD TAPE LENGTH



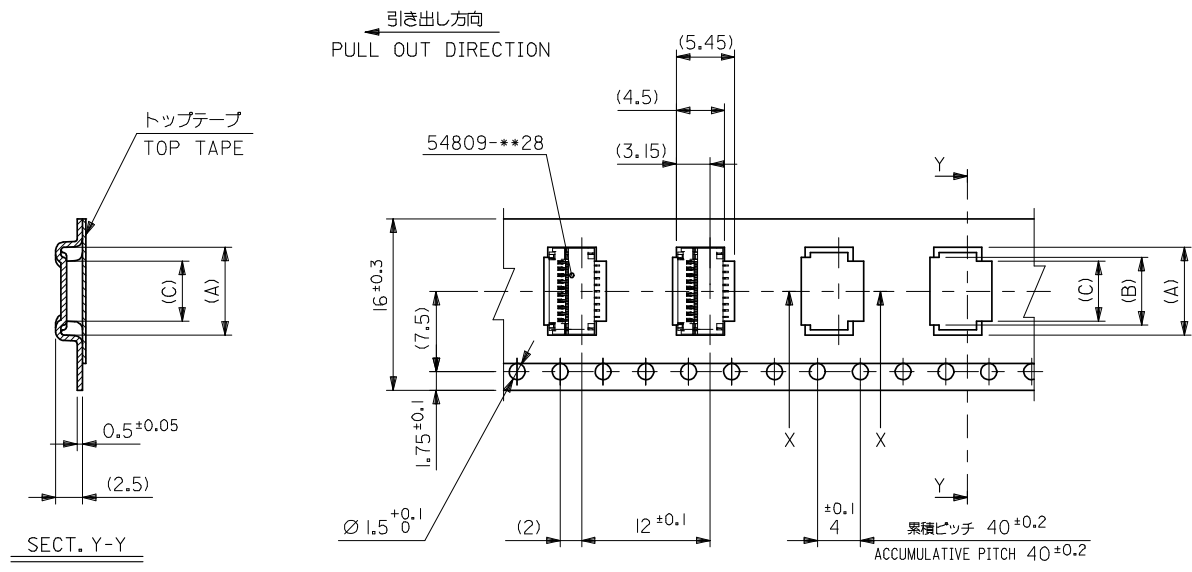
4. トップテープの剥離強度：0.1 ~ 1.3N (10 ~ 130gf) (剥離方向は下図参照)  
尚、本規格値は出荷時に適用。(但し、輸送時に剥離が発生しないこと。)  
PEELING OFF FORCE OF TOP TAPE : 0.1 ~ 1.3N (10 ~ 130gf)  
(PEELING DIRECTION AS SHOWN IN FOLLOWING FIG.)  
THIS REQUIREMENT SHOULD BE APPLIED AT SHIPMENT.  
PEEL OFF SHOULD NOT BE ALLOWED, DURING TRANSPORTATION.



5. 材料 (MATERIAL)  
キャリアテープ (CARRIER TAPE) : ポリプロピレン (POLYPROPYLENE)  
トップテープ (TOP TAPE) : PET, PE, PEF  
リール (REEL) : ポリスチレン (PS) <リサイクル材を含む>  
POLYSTYRENE(PS) <RECYCLE MATERIAL CONTAINED>
6. 本製品は54809-\*\*-91の鉛フリー品である。  
THIS PRODUCT IS LEAD FREE OF 54809-\*\*-91

A

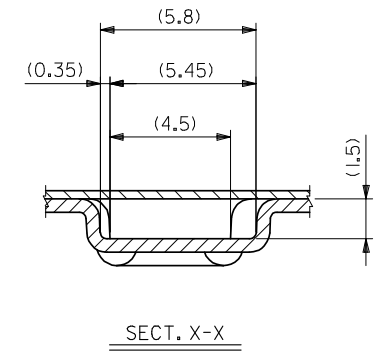
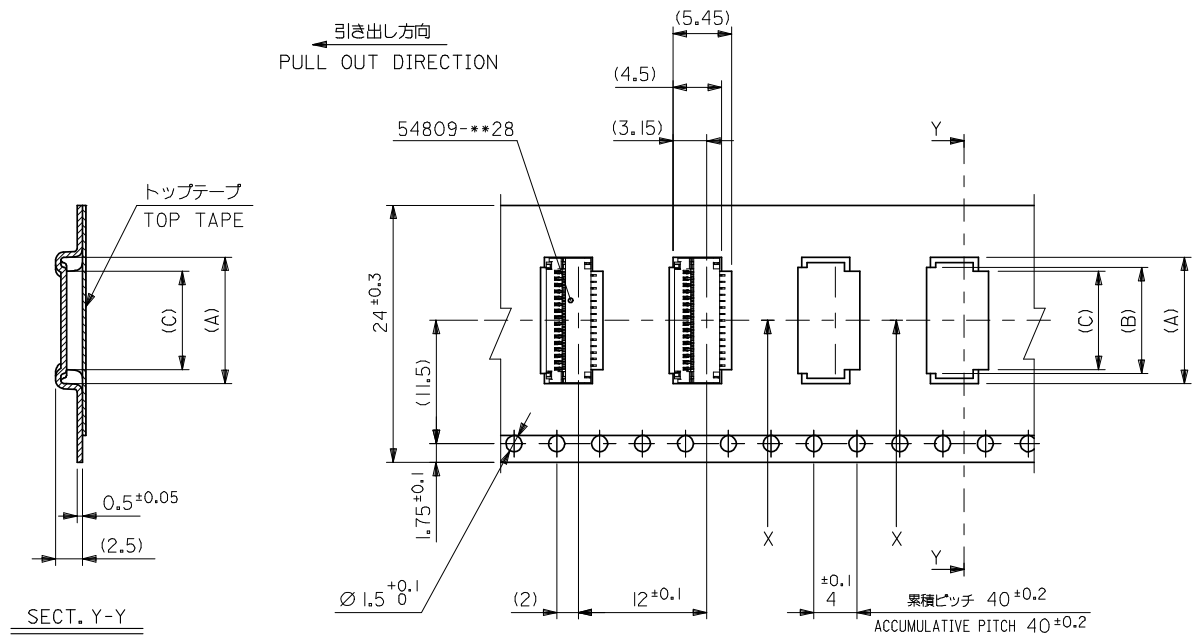
REVISED EC NO: J2008-4026 DRWN: NABEI 2008/05/27 CHKD: THARUYAMA 2008/05/27 APPR: NUKITA 2008/05/27	GENERAL TOLERANCES (UNLESS SPECIFIED)		DIMENSION STYLE MM ONLY		SCALE ---	54809-**98	MODEL NO.	
	10 UNDER ±---		DRAWN BY DATE M. NABEI '03/12/22		TITLE EMBSTP PKG FOR 0.3 FPC CONN E/O -LEAD FREE-	DESIGN UNITS METRIC	THIRD ANGLE PROJECTION	
	10 OVER 30 UNDER ±---		CHECKED BY DATE K. TOJO '03/12/22			MOLEX INCORPORATED		
	30 OVER ±---		APPROVED BY DATE M. SASAO '03/12/22		MATERIAL NO. SEE TABLE	DOCUMENT NO. SD-54809-037	SHEET NO. 1 OF 4	
	ANGULAR ±--- °		DRAFT WHERE APPLICABLE MUST REMAIN WITHIN DIMENSIONS		THIS DRAWING CONTAINS INFORMATION THAT IS PROPRIETARY TO MOLEX INCORPORATED AND SHOULD NOT BE USED WITHOUT WRITTEN PERMISSION			



16mm幅キャリアテープ  
16mm WIDTH CARRIER TAPE

16	21.4	17.4	6.8	7.5	9.4	54809-2398	23
			6.2	6.9	8.8	54809-2198	21
			5.6	6.3	8.2	54809-1998	19
			4.4	5.1	7.0	54809-1598	15
			3.2	3.9	5.8	54809-1198	11
キャリアテープ幅 CARRIER TAPE WIDTH	E	D	C	B	A	MATERIAL NO.	種数 CKT.

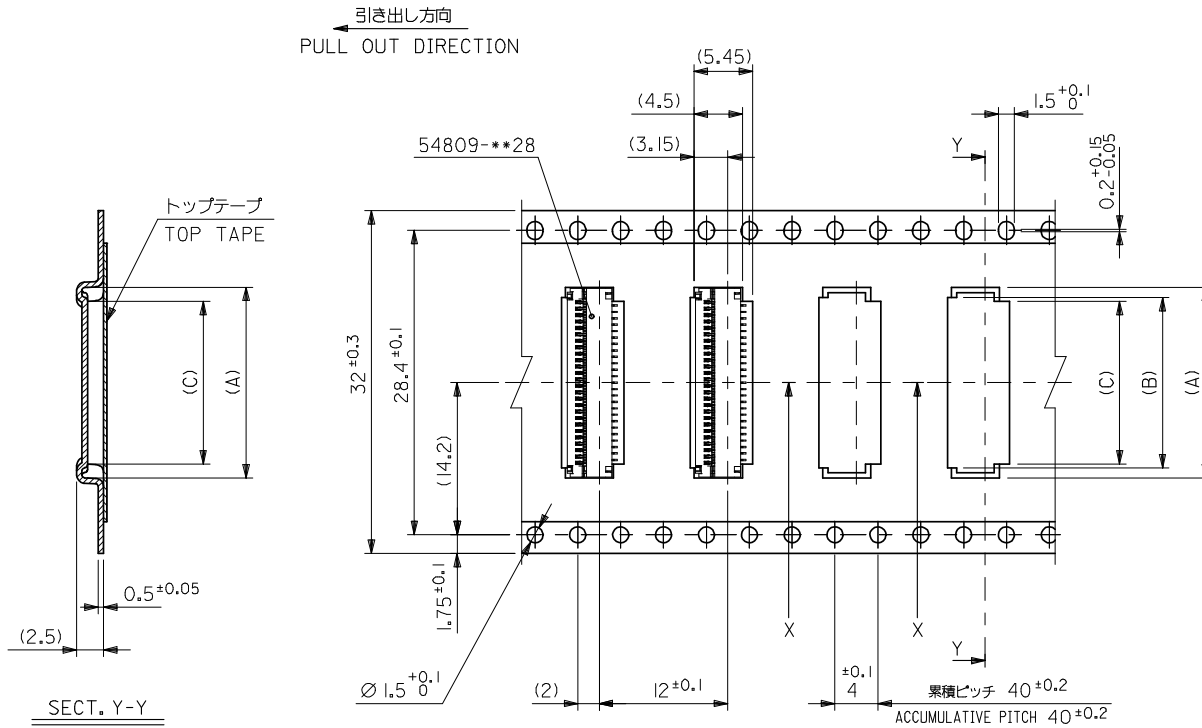
REVISED EC NO: J2008-4026 DRWN: NABEI 2008/05/27 CHKD: THARUYAMA 2008/05/27 APPR: NUKITA 2008/05/27	DESCRIPTION REV	GENERAL TOLERANCES (UNLESS SPECIFIED)		DIMENSION STYLE MM ONLY		SCALE ---	DESIGN UNITS METRIC	MODEL NO. 54809-***98		THIRD ANGLE PROJECTION	
		10 UNDER	± ---	DRAWN BY M. NABEI	DATE '03/12/22	TITLE EMBSTP PKG FOR 0.3 FPC CONN E/O -LEAD FREE-					
		10 OVER 30 UNDER	± ---	CHECKED BY K. TOJO	DATE '03/12/22	MATERIAL NO. DOCUMENT NO. SHEET NO. SD-54809-037 2 OF 4					
		30 OVER	± ---	APPROVED BY M. SASAO	DATE '03/12/22	MATERIAL NO. DOCUMENT NO. SHEET NO. SD-54809-037 2 OF 4					
		ANGULAR	± --- °	MATERIAL NO. DOCUMENT NO. SHEET NO. SD-54809-037 2 OF 4		MATERIAL NO. DOCUMENT NO. SHEET NO. SD-54809-037 2 OF 4					
		DRAFT WHERE APPLICABLE MUST REMAIN WITHIN DIMENSIONS		SEE TABLE		THIS DRAWING CONTAINS INFORMATION THAT IS PROPRIETARY TO MOLEX INCORPORATED AND SHOULD NOT BE USED WITHOUT WRITTEN PERMISSION					



24mm幅キャリアテープ  
24mm WIDTH CARRIER TAPE

24	29.4	25.4	13.4	14.1	16.0	54809-4598	45
			11.6	12.3	14.2	54809-3998	39
			10.4	11.1	13.0	54809-3598	35
			9.8	10.5	12.4	54809-3398	33
			9.2	9.9	11.8	54809-3198	31
			8.0	8.7	10.6	54809-2798	27
			7.4	8.1	10.0	54809-2598	25
キャリアテープ幅 CARRIER TAPE WIDTH	E	D	C	B	A	MATERIAL NO.	種別 CKT.

REVISED EC NO: J2008-4026 DRWN: NABEI 2008/05/27 CHKD: THARUYAMA 2008/05/27 APPR: NUKITA 2008/05/27	GENERAL TOLERANCES (UNLESS SPECIFIED)		DIMENSION STYLE	SCALE	DESIGN UNITS	THIRD ANGLE PROJECTION	
	10 UNDER ± ---		MM ONLY	---	METRIC	◎ □	
	10 OVER 30 UNDER ± ---		DRAWN BY DATE	TITLE			
	30 OVER ± ---		M. NABEI '03/12/22	EMBSTP PKG FOR 0.3 FPC CONN E/O -LEAD FREE-			
	ANGULAR ± --- °		CHECKED BY DATE	MOLEX MOLEX INCORPORATED			
DRAFT WHERE APPLICABLE MUST REMAIN WITHIN DIMENSIONS		M. SASAO '03/12/22	MATERIAL NO.	DOCUMENT NO.	SHEET NO.		
		SEE TABLE	SD-54809-037	3 OF 4			
THIS DRAWING CONTAINS INFORMATION THAT IS PROPRIETARY TO MOLEX INCORPORATED AND SHOULD NOT BE USED WITHOUT WRITTEN PERMISSION							



32mm幅キャリアテープ  
32mm WIDTH CARRIER TAPE

32	37.4	33.4	15.2	15.9	17.8	54809-5198	51
			14.6	15.3	17.2	54809-4998	49
キャリアテープ幅 CARRIER TAPE WIDTH	E	D	C	B	A	MATERIAL NO.	種別 CKT.

<b>REVISED</b> EC NO: J2008-4026 DRWN: NABEI 2008/05/27 CH'KD: THARUYAMA 2008/05/27 APPR: NUKITA 2008/05/27	GENERAL TOLERANCES (UNLESS SPECIFIED)		DIMENSION STYLE	SCALE	DESIGN UNITS	MODEL NO.	
	10 UNDER ±---		MM ONLY	---	METRIC	54809-***98	
	10 OVER 30 UNDER ±---		DRAWN BY DATE	TITLE			
	30 OVER ±---		M. NABEI '03/12/22	EMBSTP PKG FOR 0.3 FPC CONN E/O -LEAD FREE-			
	ANGULAR ±--- °		CHECKED BY DATE	MOLEX MOLEX INCORPORATED			
DRAFT WHERE APPLICABLE MUST REMAIN WITHIN DIMENSIONS		APPROVED BY DATE	MATERIAL NO.	DOCUMENT NO.	SHEET NO.		
		M. SASAO '03/12/22	SEE TABLE	SD-54809-037	4 OF 4		
			THIS DRAWING CONTAINS INFORMATION THAT IS PROPRIETARY TO MOLEX INCORPORATED AND SHOULD NOT BE USED WITHOUT WRITTEN PERMISSION				