



Chipsmall Limited consists of a professional team with an average of over 10 year of expertise in the distribution of electronic components. Based in Hongkong, we have already established firm and mutual-benefit business relationships with customers from,Europe,America and south Asia,supplying obsolete and hard-to-find components to meet their specific needs.

With the principle of “Quality Parts,Customers Priority,Honest Operation,and Considerate Service”,our business mainly focus on the distribution of electronic components. Line cards we deal with include Microchip,ALPS,ROHM,Xilinx,Pulse,ON,Everlight and Freescale. Main products comprise IC,Modules,Potentiometer,IC Socket,Relay,Connector.Our parts cover such applications as commercial,industrial, and automotives areas.

We are looking forward to setting up business relationship with you and hope to provide you with the best service and solution. Let us make a better world for our industry!



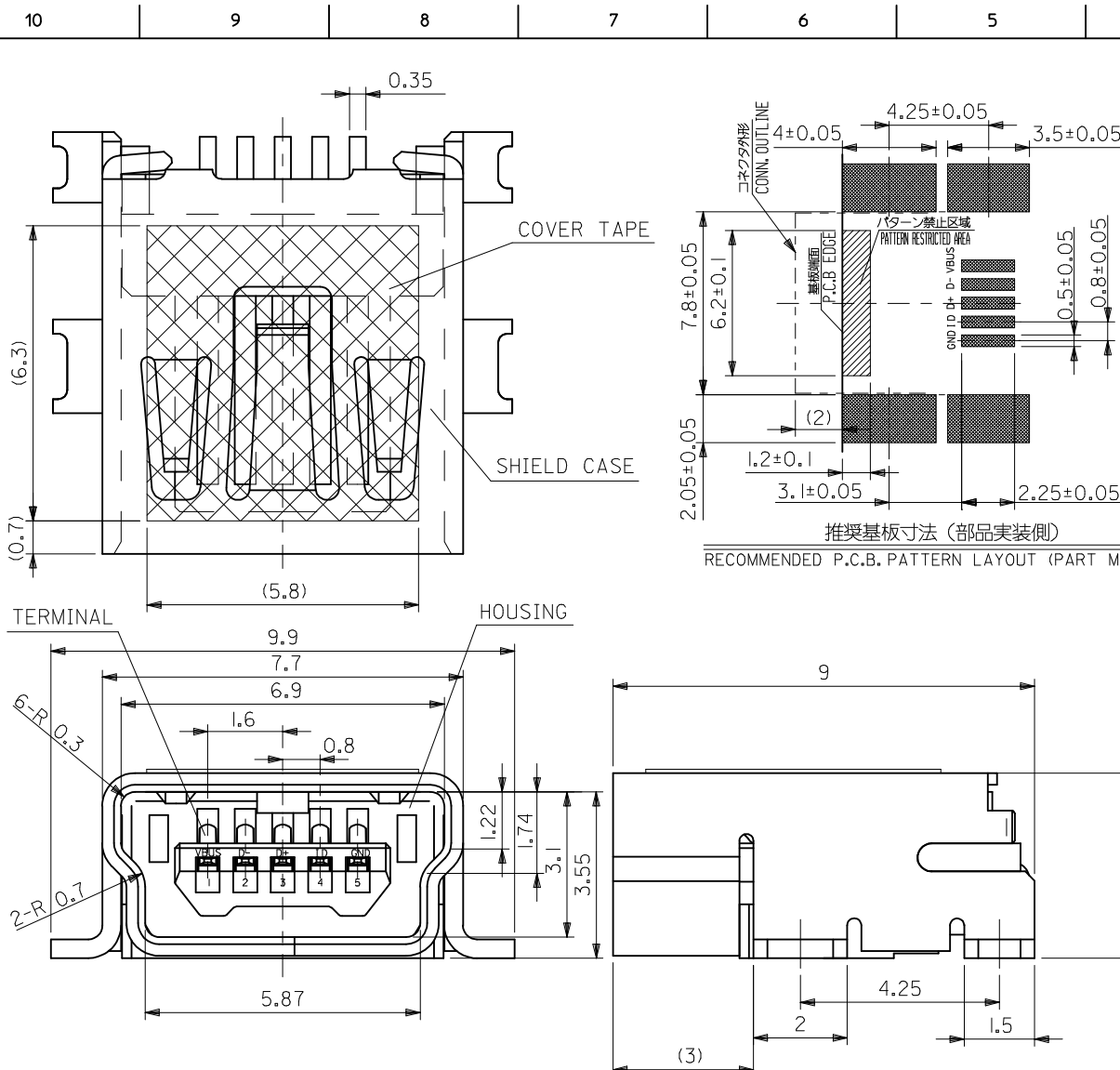
## Contact us

Tel: +86-755-8981 8866 Fax: +86-755-8427 6832

Email & Skype: info@chipsmall.com Web: www.chipsmall.com

Address: A1208, Overseas Decoration Building, #122 Zhenhua RD., Futian, Shenzhen, China





注記 1. 材質  
NOTES MATERIAL

ハウジング: PA, ガラス充填, 黒色, UL94V-0  
HOUSING: PA, GLASS FILLED, BLACK, UL94V-0  
ターミナル: 銅合金 (t=0.2)  
TERMINAL: COPPER ALLOY (t=0.2)  
シールド ケース: 銅合金 (t=0.4)  
SHIELD CASE: COPPER ALLOY (t=0.4)  
カバー テープ: ポリイミド (t=0.08)  
COVER TAPE: POLYIMIDE (t=0.08)

2. メッキ仕様  
PLATING

ターミナル  
TERMINAL  
接点部: 金メッキ 0.75 MICRO METER MIN.  
CONTACT AREA: GOLD 0.75MICRO METER MIN.  
半田付け部: 半田メッキ 3.8 MICRO METER MIN.  
SOLDER TAIL AREA: TIN-LEAD 3.8MICRO METER MIN.  
下地部: ニッケルメッキ 1.25 MICRO METER MIN.  
UNDER PLATING: NICKEL 1.25MICRO METER MIN.  
シールド ケース  
SHIELD CASE  
: 半田メッキ 2.5 MICRO METER MIN.  
: TIN-LEAD 2.5MICRO METER MIN.  
下地部: ニッケルメッキ 1 MICRO METER MIN.  
UNDER PLATING: NICKEL 1 MICRO METER MIN.

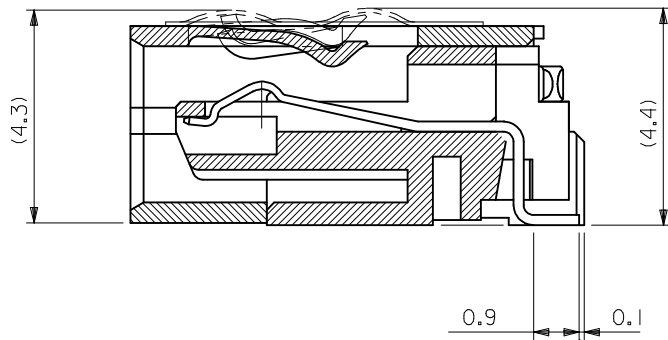
3. テール、ネール平坦度は0.1mm MAX.  
TAIL, NAIL COPLANARITY 0.1mm MAX.

推奨基板寸法 (部品実装側)  
RECOMMENDED P.C.B. PATTERN LAYOUT (PART MOUNT SIDE)

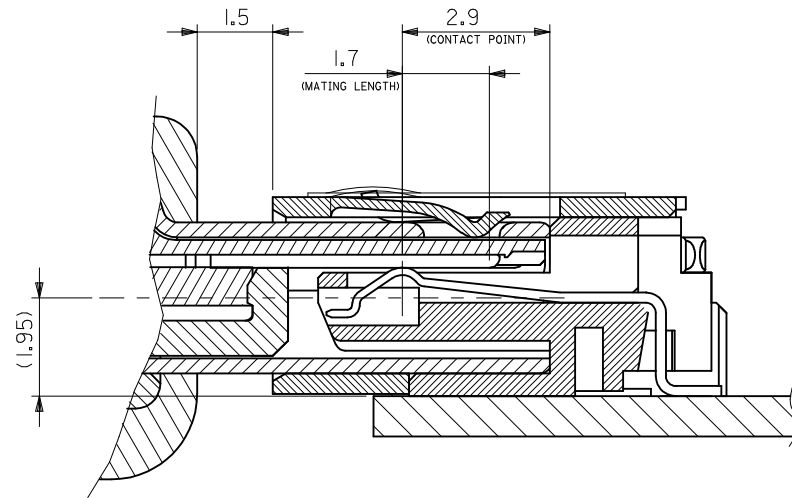
54819-0578	54819-0571
EMBOSSD TAPE	MATERIAL No.
ORDER No.	
MODEL No.54819-**71	

REVISED EC NO: J2009-1533 DRW: NESATO 2009/06/25 CHKD: MATSUMOTO 2009/06/25 APPR: NUKITA 2009/06/25	GENERAL TOLERANCES (UNLESS SPECIFIED)		DIMENSION STYLE MM ONLY	SCALE 10:1	DESIGN UNITS METRIC	THIRD ANGLE PROJECTION
	10 UNDER	±0.2	DRAWN BY K. TAKAHASHI	DATE 2000/08/02	TITLE USB SERIES MINI-B RECEPTACLE ASS'Y FOR SMT	
	10 OVER 30 UNDER	±0.25	CHECKED BY M. SASAO	DATE 2000/08/02	MOLEX INCORPORATED	
	30 OVER	±0.3	APPROVED BY H. IKESUGI	DATE 2000/08/02	DOCUMENT NO. SD-54819-009	SHEET NO. 1 OF 2
	ANGULAR ±3 °	DRAFT WHERE APPLICABLE MUST REMAIN WITHIN DIMENSIONS	SIZE A3	THIS DRAWING CONTAINS INFORMATION THAT IS PROPRIETARY TO MOLEX INCORPORATED AND SHOULD NOT BE USED WITHOUT WRITTEN PERMISSION		

10 9 8 7 6 5 4 3 2 1



SECTION

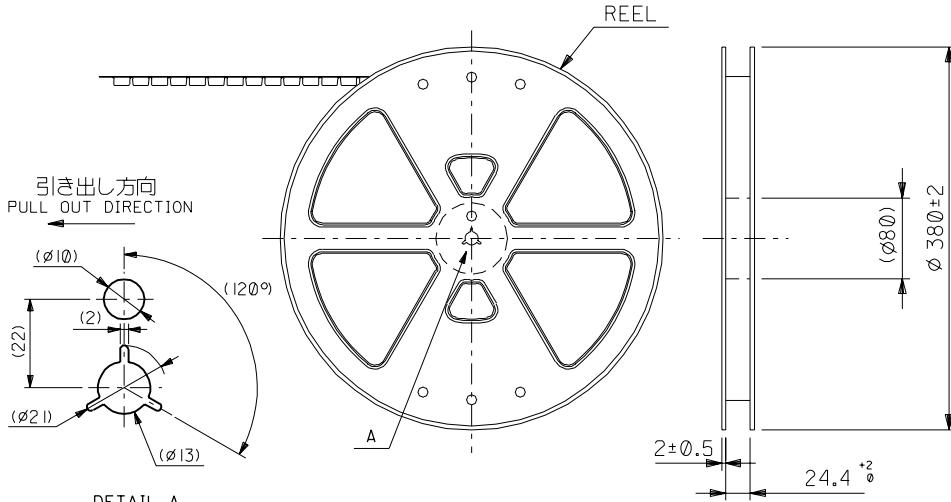


MATING

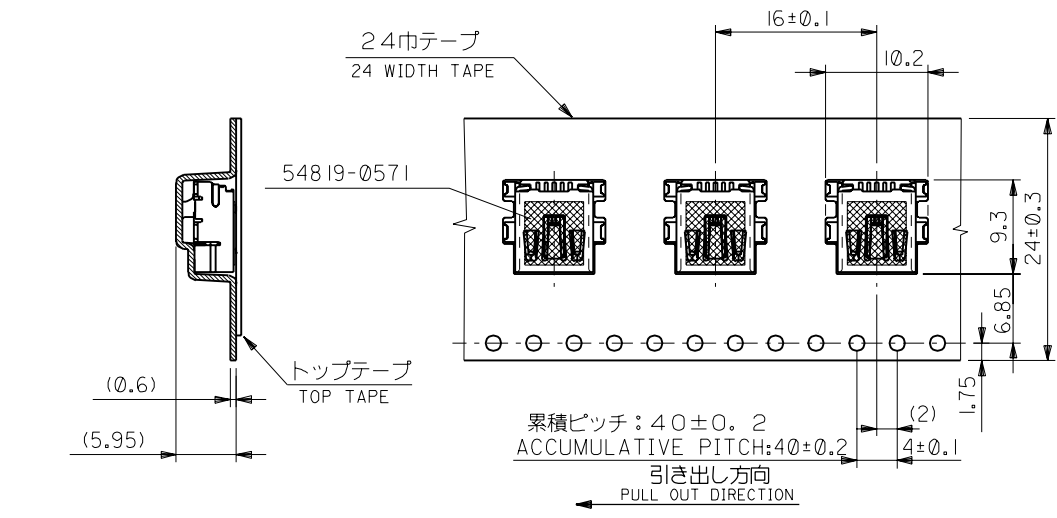
MODEL No.54819-\*\*\*71

REVISED EC NO: J2009-1533 DRW:ESATO 2009/06/25 CHK:D:HMATSUMOTO 2009/06/25 APPR:NUKITA 2009/06/25	GENERAL TOLERANCES (UNLESS SPECIFIED)		DIMENSION STYLE MM ONLY	SCALE 10:1	DESIGN UNITS METRIC	THIRD ANGLE PROJECTION	
	10 UNDER	±0.2	DRAWN BY K. TAKAHASHI	DATE 2000/08/02	TITLE USB SERIES MINI-B RECEPTACLE ASS'Y FOR SMT		
	10 OVER 30 UNDER	±0.25	CHECKED BY M. SASAO	DATE 2000/08/02	MATERIAL NO. SEE SHEET 1		
	30 OVER	±0.3	APPROVED BY H. IKESUGI	DATE 2000/08/02	DOCUMENT NO. SD-54819-009		
	ANGULAR ±3 °	DRAFT WHERE APPLICABLE MUST REMAIN WITHIN DIMENSIONS	SIZE A3	THIS DRAWING CONTAINS INFORMATION THAT IS PROPRIETARY TO MOLEX INCORPORATED AND SHOULD NOT BE USED WITHOUT WRITTEN PERMISSION			

DWG. NO. SD-54819-012



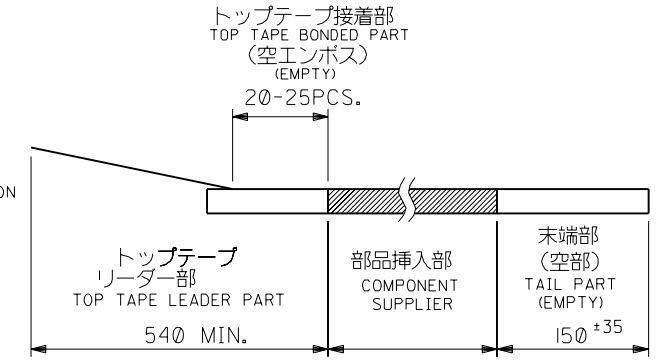
DETAIL A



エンボステープ内の製品の向き  
DIRECTION OF CONNECTOR IN EMBOSSED TAPE

NOTES

- 54819-0571の詳細はSD-54819-009参照  
IN THE PACKAGE PART NO.54819-0571 DETAILED, SEE SD-54819-009
- 梱包数量: 800 個/リール  
NUMBER OF CONNECTORS: 800 PCS/REEL
- リードテープ長さ  
LEAD TAPE LENGTH



- トップテープの剥離強度: 0.1~0.7 N (10.2~71.4gf)  
(剥離方向は下図参照) キャリアテープ幅: 24mm  
PEEL-OFF FORCE OF TOP TAPE: 0.1~0.7 N (10.2~71.4gf)  
(PEELING DIRECTION AS SHOWN IN FOLLOWING FIG.)  
尚、本規格値は、出荷時に適用。  
THIS REQUIREMENTS SHOULD BE APPLIED AT SHIPMENT  
(但し、輸送時に剥離が発生しない事。)  
(PEEL OFF SHOULD NOT BE ALLOWED, DURING TRANSPORTATION)

- 材料  
MATERIAL  
キャリアテープ: ポリプロピレン  
CARRIER TAPE: POLYPROPYLENE  
トップテープ: ポリエステル, ポリエチレン  
TOP TAPE: POLYESTER, POLYETHYLENE  
リール: ポリスチレン  
REEL: POLYSTYRENE

DO NOT SCALE DRAWING

04 NO. DRWN: CH'K: APPR: 03 NO. DRWN: CH'K: APPR: 02 NO. DRWN: CH'K: APPR:	REVISED 01 NO. JD2001-1513 DRWN: TAKAHASHI 01/05/21 CH'K: MSASAO 01/05/21 APPR: MSASAO 01/05/21 RELEASED 03 NO. JD2001-0190 DRWN: TAKAHASHI 00/08/02 CH'K: MSASAO 00/08/02 APPR: HIKESUGI 00/08/02	MATERIAL 材料 SEE NOTES FINISH 仕上げ — WIRE RANGE 適用電線範囲 — INS. RANGE 被覆外径 —	GENERAL TOLERANCES: (UNLESS SPECIFIED) 一般公差 10 UNDER 未満 ±0.2 10 OVER 30 UNDER 未満 ±0.25 30 OVER 以上 ±0.3 ANGLE 角度 ±3°	SCALE 2-1 DESIGN UNITS mm INCH PROJECTION DRAWN BY & DATE R. Takahashi 00/08/02 CHECKED BY & DATE H. Sano 00/08/02 APPROVED BY & DATE H. Sano 00/08/02 CAD FILENAME SD-54819-012.S01	DIMENSIONS: mm INCH SHT REV REVISE ON CAD ONLY	TITLE: USB SERIES MINI-B REC. HS'G EMBOSSED ASS'Y MOLEX INCORPORATED	MATERIAL NO. 54819-0578 DRAWING NO. SD-54819-012 SHEET NO. 1 OF 1