



Chipsmall Limited consists of a professional team with an average of over 10 year of expertise in the distribution of electronic components. Based in Hongkong, we have already established firm and mutual-benefit business relationships with customers from,Europe,America and south Asia,supplying obsolete and hard-to-find components to meet their specific needs.

With the principle of “Quality Parts,Customers Priority,Honest Operation,and Considerate Service”,our business mainly focus on the distribution of electronic components. Line cards we deal with include Microchip,ALPS,ROHM,Xilinx,Pulse,ON,Everlight and Freescale. Main products comprise IC,Modules,Potentiometer,IC Socket,Relay,Connector.Our parts cover such applications as commercial,industrial, and automotives areas.

We are looking forward to setting up business relationship with you and hope to provide you with the best service and solution. Let us make a better world for our industry!



Contact us

Tel: +86-755-8981 8866 Fax: +86-755-8427 6832

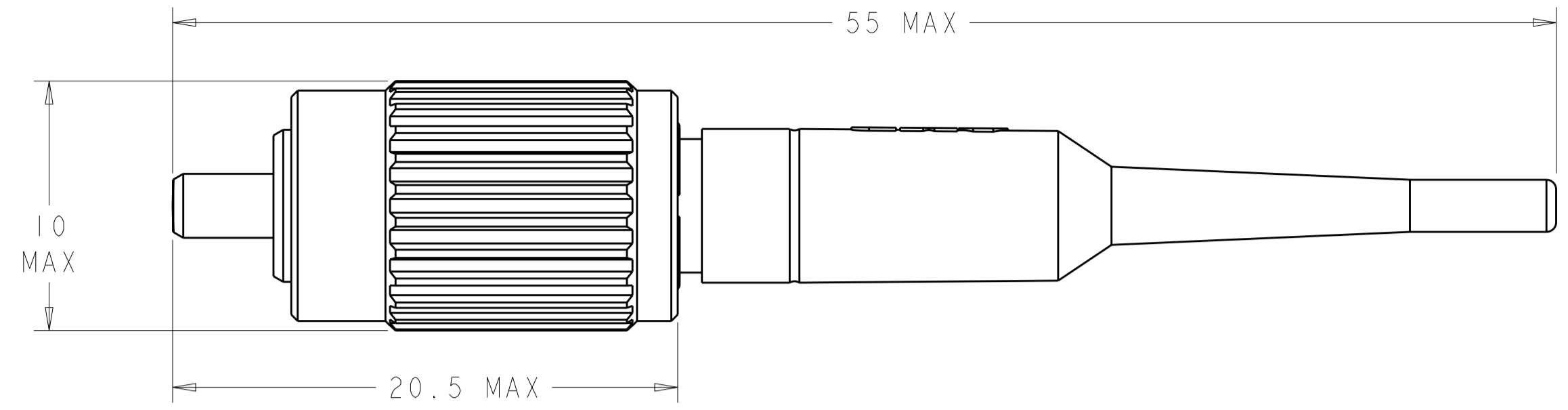
Email & Skype: info@chipsmall.com Web: www.chipsmall.com

Address: A1208, Overseas Decoration Building, #122 Zhenhua RD., Futian, Shenzhen, China



THIS DRAWING IS UNPUBLISHED. RELEASED FOR PUBLICATION 20
 © COPYRIGHT 20 BY TYCO ELECTRONICS CORPORATION. ALL RIGHTS RESERVED.

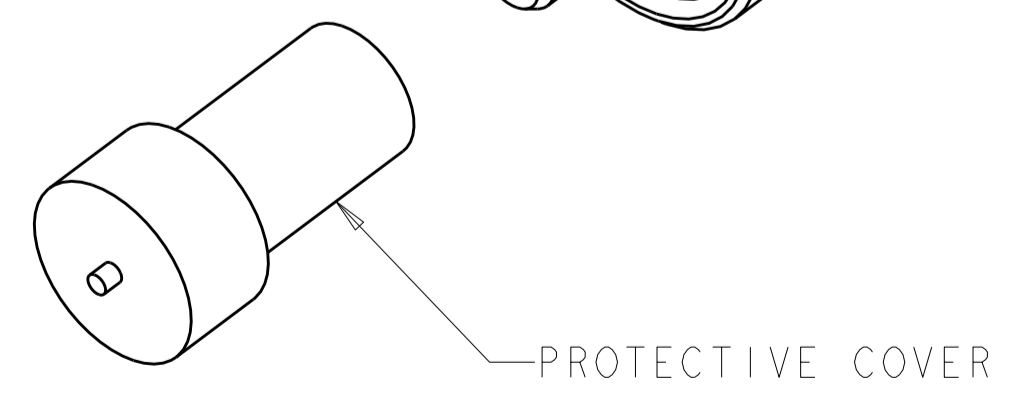
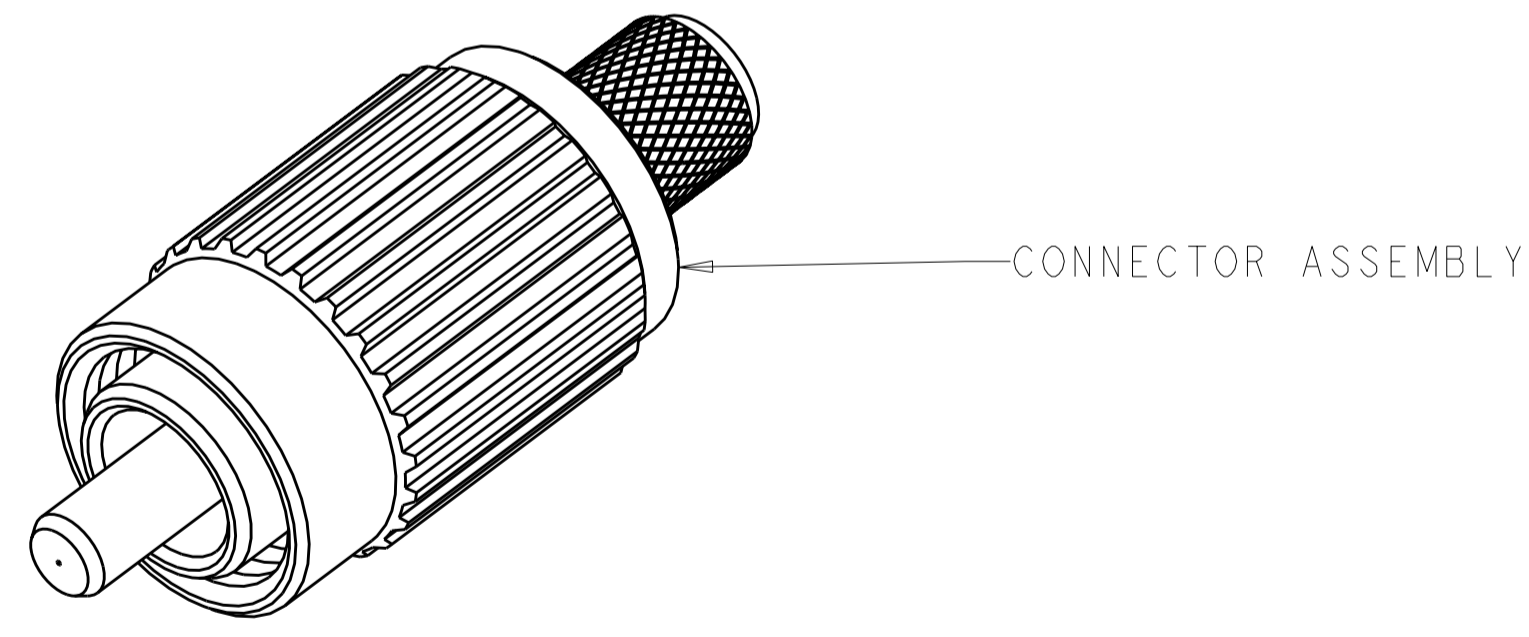
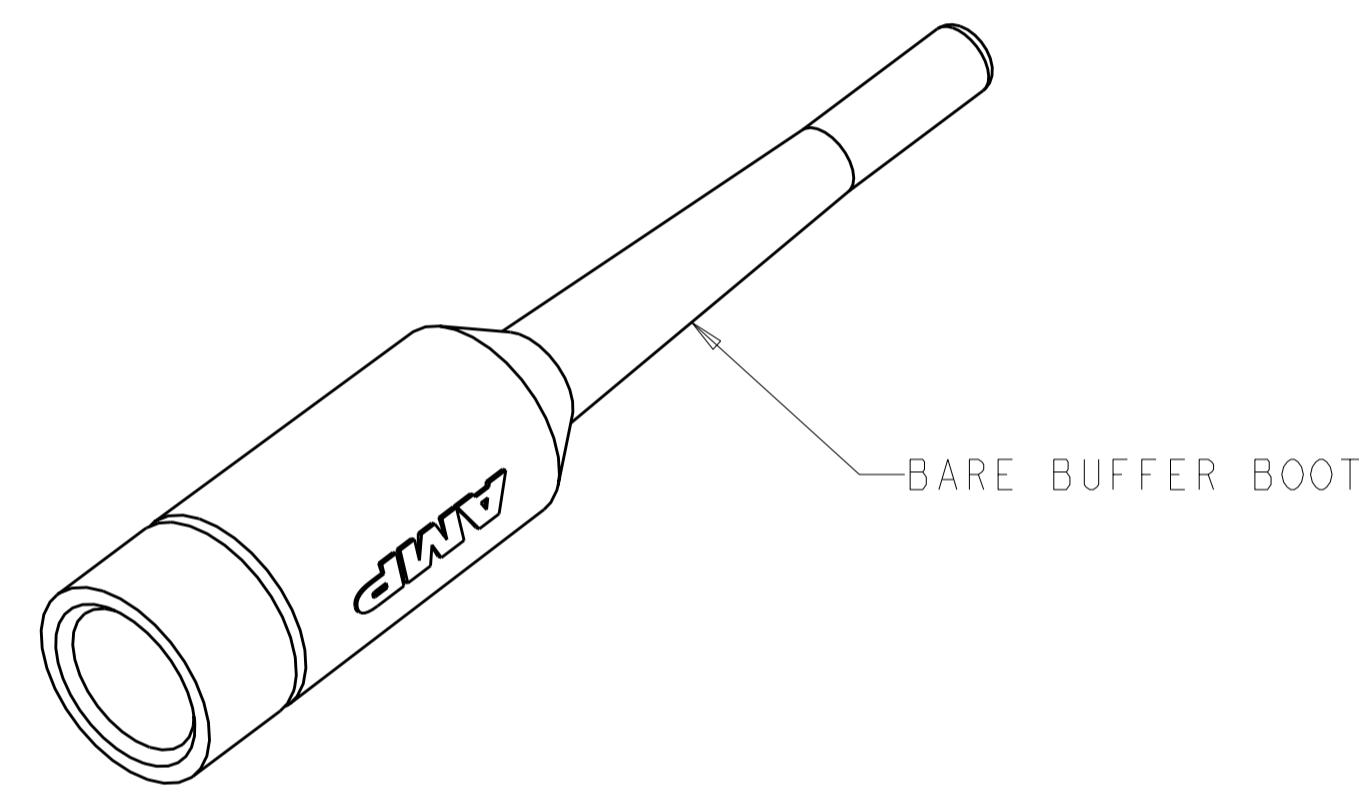
LOC	DIST	REVISIONS			
P	LTR	DESCRIPTION	DATE	DWN	APVD
CE	00	A	RELEASE TO ACTIVE	06JUN2006	BB SM



ASSEMBLED CONNECTOR

- 1 MATERIAL:
 PROTECTIVE COVER: LDPE, BLACK, NON-FR.
 CONNECTOR SUB-ASSEMBLY:
 COUPLING NUT: NICKEL PLATED BRASS.
 PLUG BODY: PPS-GF40, COLOR: BEIGE.*
 FERRULE ASSEMBLY: CERAMIC/PBT-GF17, COLOR: BLUE.*
 EPOXY-FILL TUBING: PVC, COLOR: CLEAR, UL VW-1 RATED.
 SPRING: STAINLESS STEEL.
 RETAINER BODY: PES-GF20, COLOR: BEIGE.*
 BOOT: TPE, COLOR: SEE TABLE.*
 *UL94 V-0 RATED AT QUALIFYING THICKNESS.

- 2 BULK PACKAGE.
 3. TO BE USED WITH 900um BUFFERED FIBER.



2	BLUE	5492052-5
2	YELLOW	5492052-4
	YELLOW	5492052-1
	BUFFER BOOT COLOR	PART NUMBER

<small>THIS DRAWING IS A CONTROLLED DOCUMENT FOR TYCO ELECTRONICS CORPORATION. IT IS SUBJECT TO CHANGE AND THE CONTROLLING ENGINEERING ORGANIZATION SHOULD BE CONTACTED FOR THE LATEST REVISION.</small>		DWN B. BRIGGS 12DEC2005 CHK S. MILLER 12DEC2005 APVD S. BUCHTER 12DEC2005	tyco Tyco Electronics Electronics Harrisburg, PA 17105-3608
DIMENSIONS: mm [INCHES]	TOLERANCES UNLESS OTHERWISE SPECIFIED: 0 PLC ± 1 PLC ± 2 PLC ± 3 PLC ± 4 PLC ± ANGLES ± FINISH	PRODUCT SPEC APPLICATION SPEC WEIGHT	NAME CONNECTOR KIT, SINGLEMODE, 900um, FC SIZE A2 CAGE CODE 00779 DRAWING NO. 5492052 RESTRICTED TO -
MATERIAL 1 -		CUSTOMER DRAWING	SCALE 5:1 SHEET 1 OF 1 REV A