



Chipsmall Limited consists of a professional team with an average of over 10 year of expertise in the distribution of electronic components. Based in Hongkong, we have already established firm and mutual-benefit business relationships with customers from,Europe,America and south Asia,supplying obsolete and hard-to-find components to meet their specific needs.

With the principle of "Quality Parts,Customers Priority,Honest Operation,and Considerate Service",our business mainly focus on the distribution of electronic components. Line cards we deal with include Microchip,ALPS,ROHM,Xilinx,Pulse,ON,Everlight and Freescale. Main products comprise IC,Modules,Potentiometer,IC Socket,Relay,Connector.Our parts cover such applications as commercial,industrial, and automotives areas.

We are looking forward to setting up business relationship with you and hope to provide you with the best service and solution. Let us make a better world for our industry!



## Contact us

Tel: +86-755-8981 8866 Fax: +86-755-8427 6832

Email & Skype: info@chipsmall.com Web: www.chipsmall.com

Address: A1208, Overseas Decoration Building, #122 Zhenhua RD., Futian, Shenzhen, China



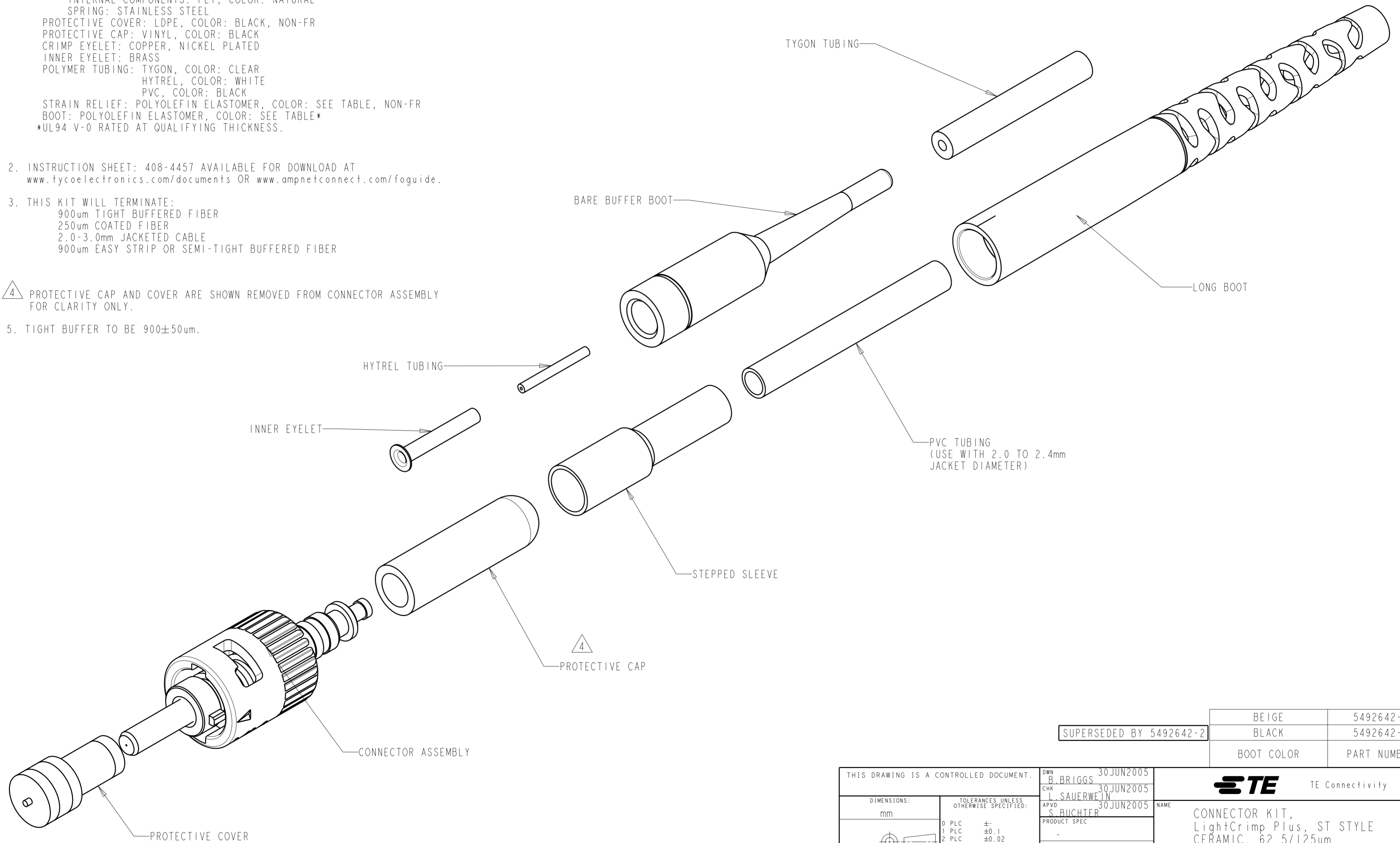
THIS DRAWING IS UNPUBLISHED. RELEASED FOR PUBLICATION 20  
 © COPYRIGHT 20 ALL RIGHTS RESERVED.

LOC		DIST		REVISIONS			
P	LTR	DESCRIPTION	DATE	DWN	APVD		
CE	00	D2	REVISED PER ECO-13-003766	04MAR2013	JM	TE	

- 1 MATERIAL:  
 CONNECTOR ASSY  
 REAR BODY: ALUMINUM ALLOY  
 PLUNGER: ALUMINUM ALLOY  
 FERRULE: CERAMIC  
 COUPLING NUT: ZINC, NICKEL PLATED  
 INTERNAL COMPONENTS: PEI, COLOR: NATURAL  
 SPRING: STAINLESS STEEL  
 PROTECTIVE COVER: LDPE, COLOR: BLACK, NON-FR  
 PROTECTIVE CAP: VINYL, COLOR: BLACK  
 CRIMP EYELET: COPPER, NICKEL PLATED  
 INNER EYELET: BRASS  
 POLYMER TUBING: TYGON, COLOR: CLEAR  
 HYTREL, COLOR: WHITE  
 PVC, COLOR: BLACK  
 STRAIN RELIEF: POLYOLEFIN ELASTOMER, COLOR: SEE TABLE, NON-FR  
 BOOT: POLYOLEFIN ELASTOMER, COLOR: SEE TABLE\*  
 \*UL94 V-0 RATED AT QUALIFYING THICKNESS.

2. INSTRUCTION SHEET: 408-4457 AVAILABLE FOR DOWNLOAD AT  
[www.tycoelectronics.com/documents](http://www.tycoelectronics.com/documents) OR [www.ampnetconnect.com/foguide](http://www.ampnetconnect.com/foguide).
3. THIS KIT WILL TERMINATE:  
 900um TIGHT BUFFERED FIBER  
 250um COATED FIBER  
 2.0-3.0mm JACKETED CABLE  
 900um EASY STRIP OR SEMI-TIGHT BUFFERED FIBER

- 4 PROTECTIVE CAP AND COVER ARE SHOWN REMOVED FROM CONNECTOR ASSEMBLY FOR CLARITY ONLY.
5. TIGHT BUFFER TO BE 900±50um.



SUPERSEDED BY 5492642-2	BEIGE	5492642-2
	BLACK	5492642-1
	BOOT COLOR	PART NUMBER

THIS DRAWING IS A CONTROLLED DOCUMENT.

DIMENSIONS:	TOLERANCES UNLESS OTHERWISE SPECIFIED:	DWN B. BRIGGS 30 JUN 2005	TE Connectivity
mm	0 PLC ±-	CHK L. SAUERWEIN 30 JUN 2005	
	1 PLC ±0.1	APVD S. BUCHTER 30 JUN 2005	
	2 PLC ±0.02	PRODUCT SPEC	
	3 PLC ±0.005	APPLICATION SPEC	NAME CONNECTOR KIT, LightCrimp Plus, ST STYLE CERAMIC, 62.5/125um
	4 PLC ±0.0005	WEIGHT	SIZE CAGE CODE DRAWING NO RESTRICTED TO
MATERIAL	FINISH	A2 00779 C-5492642	
		CUSTOMER DRAWING	SCALE 4:1 SHEET 1 OF 1 REV D2