



Chipsmall Limited consists of a professional team with an average of over 10 year of expertise in the distribution of electronic components. Based in Hongkong, we have already established firm and mutual-benefit business relationships with customers from,Europe,America and south Asia,supplying obsolete and hard-to-find components to meet their specific needs.

With the principle of “Quality Parts,Customers Priority,Honest Operation,and Considerate Service”,our business mainly focus on the distribution of electronic components. Line cards we deal with include Microchip,ALPS,ROHM,Xilinx,Pulse,ON,Everlight and Freescale. Main products comprise IC,Modules,Potentiometer,IC Socket,Relay,Connector.Our parts cover such applications as commercial,industrial, and automotives areas.

We are looking forward to setting up business relationship with you and hope to provide you with the best service and solution. Let us make a better world for our industry!



Contact us

Tel: +86-755-8981 8866 Fax: +86-755-8427 6832

Email & Skype: info@chipsmall.com Web: www.chipsmall.com

Address: A1208, Overseas Decoration Building, #122 Zhenhua RD., Futian, Shenzhen, China



Materials

Connector: 50-00591

- ① Insulator, PBT + 15% glass fiber, UL94 V-0, black
- ② Shell, H65, nickel-plated
- ③ Tray, C3602, nickel-plated
- ④ Center contact, C5191 phosphor bronze, nickel-plated
- ⑤ Ground contact, C3602, nickel-plated

Inner Sleeve: 56-00002

- ⑥ Inner sleeve, Nylon UL94V-0

Outer Sleeve: 56-00003

- ⑦ Outer sleeve, TPU, black

Electrical requirements

Dielectric strength: 1 min @ 500 Vac

Insulation resistance: 100 MΩ @ 500 Vdc

Contact resistance: 30 mΩ or less

Mechanical requirements

Insertion force: 0.3~3 kgf

Withdrawal force: 0.3~3 kgf

Durability: (5000) mating cycles while maintaining;
0.3~3 kgf insertion force, 0.3~3 kgf withdrawal force and a
less than 100 mΩ contact resistance.

Environmental requirements

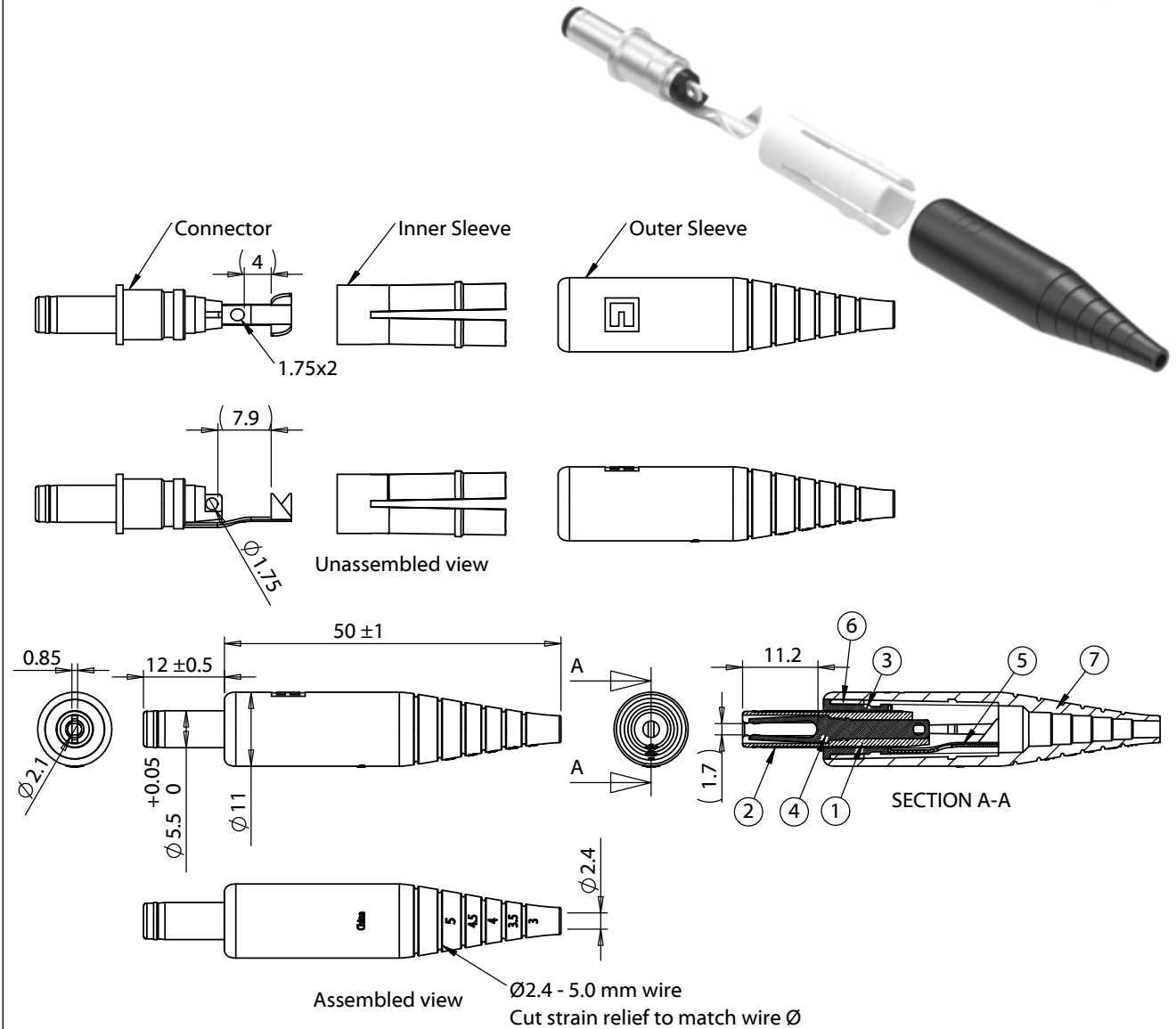
Cold test: -25 ±3 °C for 48 hours without deformation

Heat test: 70 ±2 °C for 48 hours without deformation

Humidity test: 40 ±2 °C and humidity between 90 and
98 % for 96 hours without deformation

Salt spray test: 35 °C, RH 90-95%, 5% NaCl mist for 24 hrs.

Wash parts after test. Maintain mechanical and electrical
requirements.



Revision:	Date:	Description:
A	2/13/2018	Initial release

Prepared:
AG
Digitally signed by AG
Date: 2018.04.20
10:27:58 -07'00'

Verified:
PS
Digitally signed by PS
Date: 2018.04.27 15:47:53
-07'00'

Dimensions are in
millimeters.
Tolerances:
X: ± 0.5 mm
X.X: ± 0.3 mm
X.XX: ± 0.05 mm

Notes:
RoHS and REACH compliant

Function test: no open, no short circuit, no
intermittent

Description:
Connector, 5.5x2.1xL12 mm dc plug, nickel plated,
assembly type, spring contacts

TENSILITY

tel 1.541.323.3228 800 877.670.7118
fax 1.541.323.4202 web tensility.com

Size:	Part number:
A	55-00051
Scale: 1:1	Sheet 1 of 2

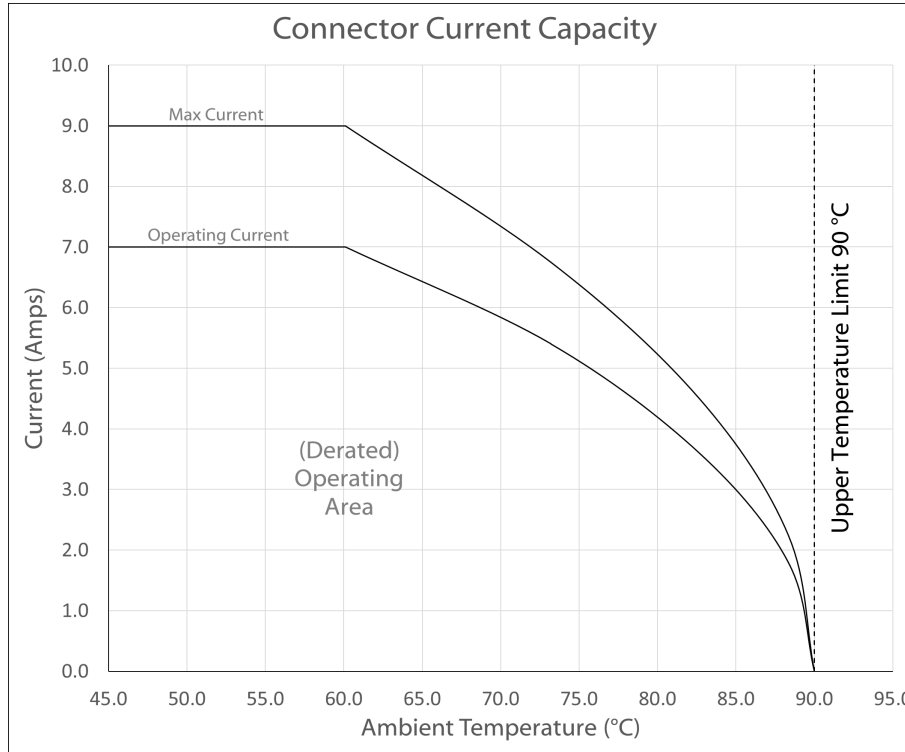
Ratings

Rated voltage: 48 V



Rated current: 7 A

Operating range

-25 to 90°C, relative humidity of 85% or less



Testing based on IEC 60512-5-2. Max current curve generated with isolated test article under controlled environmental conditions, and does not take into account external factors such as housings, mating cables, or other circuitry. Operating current curve (derated by 20% of maximum values) accounts for external factors, and manufacturing variation.

Revision:	Date:	Description:	Prepared:	Notes: RoHS and REACH compliant	<h1>TENSILITY</h1> <p>tel 1.541.323.3228 800 877.670.7118 fax 1.541.323.4202 web tensility.com</p>	
A	2/13/2018	Initial release	Verified:			Function test: no open, no short circuit, no intermittent
			Dimensions are in millimeters. Tolerances: X: ± 0.5 mm X.X: ± 0.3 mm X.XX: ± 0.05 mm	Description:	Size: Part number:	
				Connector, 5.5x2.1xL12 mm dc plug, nickel plated, assembly type, spring contacts	A 55-00051	
				Scale: 1:1	 	Sheet 2 of 2