



Chipsmall Limited consists of a professional team with an average of over 10 year of expertise in the distribution of electronic components. Based in Hongkong, we have already established firm and mutual-benefit business relationships with customers from,Europe,America and south Asia,supplying obsolete and hard-to-find components to meet their specific needs.

With the principle of “Quality Parts,Customers Priority,Honest Operation,and Considerate Service”,our business mainly focus on the distribution of electronic components. Line cards we deal with include Microchip,ALPS,ROHM,Xilinx,Pulse,ON,Everlight and Freescale. Main products comprise IC,Modules,Potentiometer,IC Socket,Relay,Connector.Our parts cover such applications as commercial,industrial, and automotives areas.

We are looking forward to setting up business relationship with you and hope to provide you with the best service and solution. Let us make a better world for our industry!



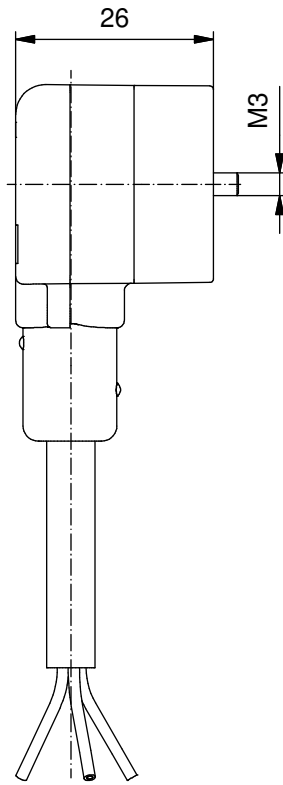
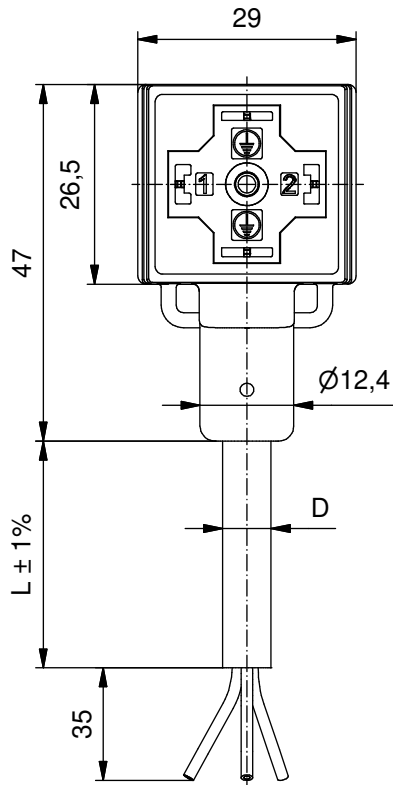
Contact us

Tel: +86-755-8981 8866 Fax: +86-755-8427 6832

Email & Skype: info@chipsmall.com Web: www.chipsmall.com

Address: A1208, Overseas Decoration Building, #122 Zhenhua RD., Futian, Shenzhen, China



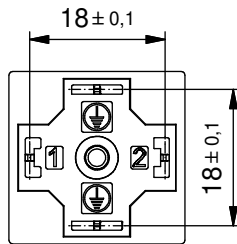
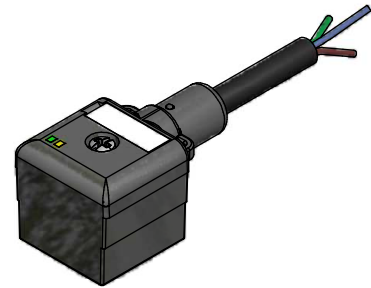


Technical specification :

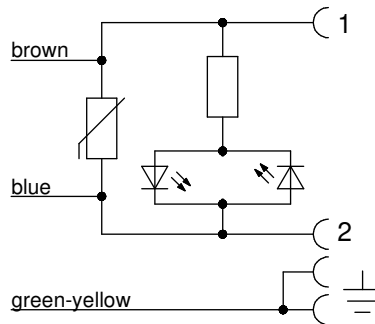
Rated voltage: 24 V AC / DC
 Current rating: 4 A at 40°C
 IEC 60512-5-2 5b
 Pollution degree: 3/2
 IEC 60664-1
 Degree of protection: IP 67, in mated condition
 IEC 60529
 Temperature range: -25°C ... +80°C
 IEC 60664-1
 Mating cycles: >50
 DIN EN 175301-803

Materials:

Contact: CuZn
 Contact plating: Nickel, stannous plated
 Contact carrier: PA GF, UL 94
 Moulding body: TPU, UL 94, transparent

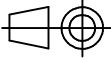


Contact assignment:



Part no:	Description:	Length L:	Cable:
55-00081	SAL - A - V2PEG - 0 - 124 - 2 / H2	2m	PUR/PVC, black, 3x0,5mm ² Cable: 781-H25300
55-00004	SAL - A - V2PEG - 0 - 124 - 3 / H2	3m	
55-00005	SAL - A - V2PEG - 0 - 124 - 5 / H2	5m	
55-00039	SAL - A - V2PEG - 0 - 124 - 10 / H2	10m	PVC, black, 3x0,5mm ² Cable: -
55-00082	SAL - A - V2PEG - 0 - 124 - 2 / A2	2m	
55-00083	SAL - A - V2PEG - 0 - 124 - 3 / A2	3m	
55-00048	SAL - A - V2PEG - 0 - 124 - 5 / A2	5m	
55-00084	SAL - A - V2PEG - 0 - 124 - 10 / A2	10m	TPU, UL 20549, black, 3x0,75mm ² Cable: 781-K17300
55-00093	SAL - A - V2PEG - 0 - 124 - 2 / K1 / 075	2m	
55-00043	SAL - A - V2PEG - 0 - 124 - 3 / K1 / 075	3m	
55-00094	SAL - A - V2PEG - 0 - 124 - 5 / K1 / 075	5m	
55-00044	SAL - A - V2PEG - 0 - 124 - 10 / K1 / 075	10m	PVC, UL 2464, grey, 3x0,75mm ² Cable: 781-A37300
55-00095	SAL - A - V2PEG - 0 - 124 - 2 / A3 / 075	2m	
55-00096	SAL - A - V2PEG - 0 - 124 - 3 / A3 / 075	3m	
55-00097	SAL - A - V2PEG - 0 - 124 - 5 / A3 / 075	5m	
55-00098	SAL - A - V2PEG - 0 - 124 - 10 / A3 / 075	10m	

D see data sheet cable

DO NOT ALTER CAD DRAWING BY HAND	Directive 2002/95/EC RoHS compliant	Index: a 02.02.11 VF Ä3731 contact assignment modified, dimension cable diameter removed, part no. cable in table added	 dim. in mm	title: Valve plug type A, ground jumpered, with protective circuit			
					date	name	
			drawn		03.06.08	Franz	dwg no: 55K1A003
			appd.		16.06.08	Schmidt	
THIS DRAWING MAY NOT BE COPIED OR REPRODUCED IN ANY WAY, AND MAY NOT BE PASSED ON TO A THIRD PARTY WITHOUT WRITTEN PERMISSION. OWNERSHIP AND COPYRIGHT OF CONEC GmbH		