



Chipsmall Limited consists of a professional team with an average of over 10 year of expertise in the distribution of electronic components. Based in Hongkong, we have already established firm and mutual-benefit business relationships with customers from,Europe,America and south Asia,supplying obsolete and hard-to-find components to meet their specific needs.

With the principle of "Quality Parts,Customers Priority,Honest Operation,and Considerate Service",our business mainly focus on the distribution of electronic components. Line cards we deal with include Microchip,ALPS,ROHM,Xilinx,Pulse,ON,Everlight and Freescale. Main products comprise IC,Modules,Potentiometer,IC Socket,Relay,Connector.Our parts cover such applications as commercial,industrial, and automotives areas.

We are looking forward to setting up business relationship with you and hope to provide you with the best service and solution. Let us make a better world for our industry!



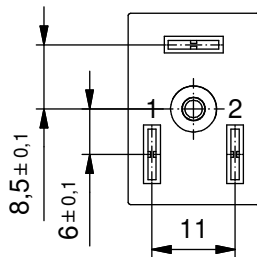
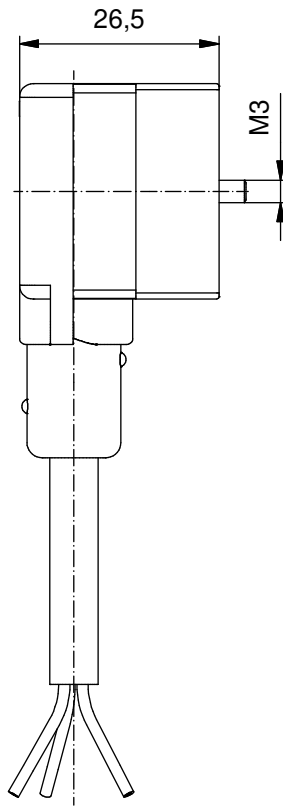
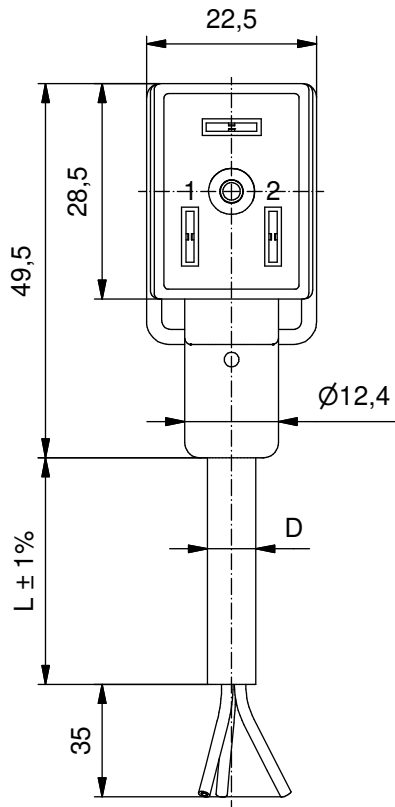
Contact us

Tel: +86-755-8981 8866 Fax: +86-755-8427 6832

Email & Skype: info@chipsmall.com Web: www.chipsmall.com

Address: A1208, Overseas Decoration Building, #122 Zhenhua RD., Futian, Shenzhen, China



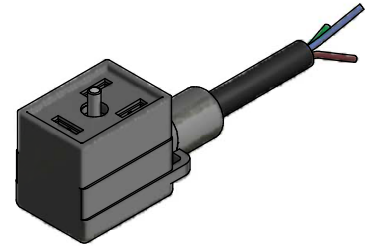


Technical specification :

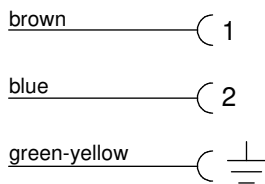
Rated voltage: 230 V AC / DC
 Current rating: 4 A at 40°C
 IEC 60512-5-2 5b
 Pollution degree: 3
 IEC 60664-1
 Degree of protection: IP 67, in mated condition
 IEC 60529
 Temperature range: -25°C ... +80°C
 IEC 60664-1
 Mating cycles: >50

Materials:

Contact: CuZn
 Contact plating: Nickel, stannous plated
 Contact carrier: PA GF, UL 94
 Moulding body: TPU, UL 94, black

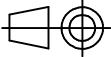


Contact assignment:



Part no:	Description:	Length L:	Cable:
55-00181	SAL - BI - V2PE - 180 - 0220 - 2 / H2	2m	PUR/PVC, black, 3x0,5mm ² Cable: 781-H25300
55-00010	SAL - BI - V2PE - 180 - 0220 - 3 / H2	3m	
55-00011	SAL - BI - V2PE - 180 - 0220 - 5 / H2	5m	
55-00182	SAL - BI - V2PE - 180 - 0220 - 10 / H2	10m	
55-00183	SAL - BI - V2PE - 180 - 0220 - 2 / A2	2m	PVC, black, 3x0,5mm ² Cable: -
55-00184	SAL - BI - V2PE - 180 - 0220 - 3 / A2	3m	
55-00185	SAL - BI - V2PE - 180 - 0220 - 5 / A2	5m	
55-00186	SAL - BI - V2PE - 180 - 0220 - 10 / A2	10m	
55-00191	SAL - BI - V2PE - 180 - 0220 - 2 / K1 / 075	2m	TPU, UL 20549, black, 3x0,75mm ² Cable: 781-K17300
55-00192	SAL - BI - V2PE - 180 - 0220 - 3 / K1 / 075	3m	
55-00193	SAL - BI - V2PE - 180 - 0220 - 5 / K1 / 075	5m	
55-00194	SAL - BI - V2PE - 180 - 0220 - 10 / K1 / 075	10m	
55-00195	SAL - BI - V2PE - 180 - 0220 - 2 / A3 / 075	2m	PVC, UL 2464, grey, 3x0,75mm ² Cable: 781-A37300
55-00196	SAL - BI - V2PE - 180 - 0220 - 3 / A3 / 075	3m	
55-00197	SAL - BI - V2PE - 180 - 0220 - 5 / A3 / 075	5m	
55-00198	SAL - BI - V2PE - 180 - 0220 - 10 / A3 / 075	10m	

D see data sheet cable

DO NOT ALTER CAD DRAWING BY HAND	Directive 2002/95/EC RoHS compliant	Index: a 02.02.11 VF Ä3731 contact assignment modified, dimension cable diameter removed, part no. cable in table added	 dim. in mm	title: Valve plug type B industrial, without protective circuit, ground 180° rotated dwg no: 55K1A006 part no: sse table		
					date	name
			drawn		17.06.08	Franz
			appd.		17.06.08	Schmidt
THIS DRAWING MAY NOT BE COPIED OR REPRODUCED IN ANY WAY, AND MAY NOT BE PASSED ON TO A THIRD PARTY WITHOUT WRITTEN PERMISSION. OWNERSHIP AND COPYRIGHT OF CONEC GmbH		