



Chipsmall Limited consists of a professional team with an average of over 10 year of expertise in the distribution of electronic components. Based in Hongkong, we have already established firm and mutual-benefit business relationships with customers from,Europe,America and south Asia,supplying obsolete and hard-to-find components to meet their specific needs.

With the principle of "Quality Parts,Customers Priority,Honest Operation,and Considerate Service",our business mainly focus on the distribution of electronic components. Line cards we deal with include Microchip,ALPS,ROHM,Xilinx,Pulse,ON,Everlight and Freescale. Main products comprise IC,Modules,Potentiometer,IC Socket,Relay,Connector.Our parts cover such applications as commercial,industrial, and automotives areas.

We are looking forward to setting up business relationship with you and hope to provide you with the best service and solution. Let us make a better world for our industry!



## Contact us

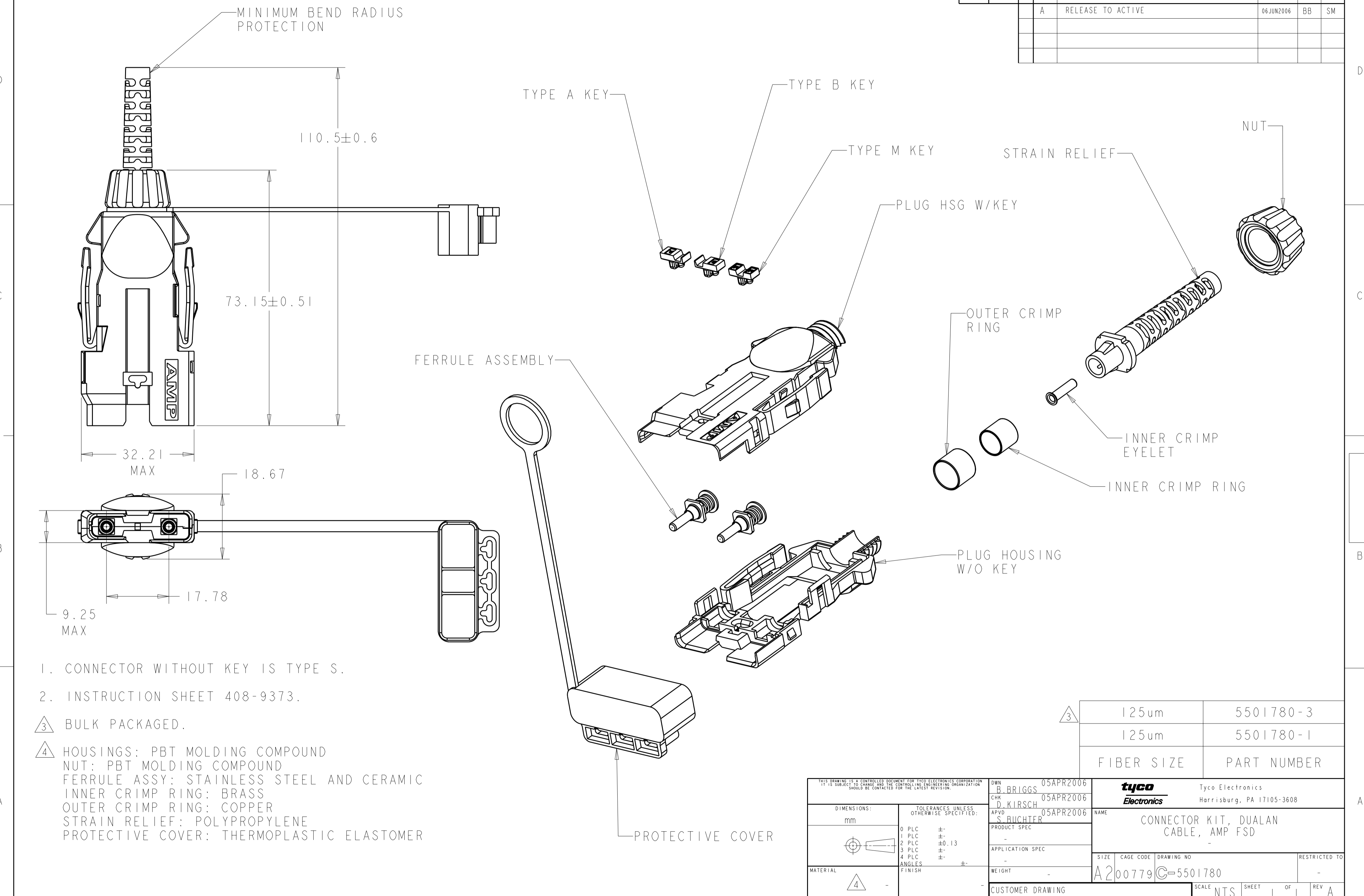
Tel: +86-755-8981 8866 Fax: +86-755-8427 6832

Email & Skype: info@chipsmall.com Web: www.chipsmall.com

Address: A1208, Overseas Decoration Building, #122 Zhenhua RD., Futian, Shenzhen, China



LOC	DIST	REVISIONS			
P	LTR	DESCRIPTION	DATE	DWN	APVD
CE	00	A	RELEASE TO ACTIVE	06JUN2006	BB SM



- 1. CONNECTOR WITHOUT KEY IS TYPE S.
- 2. INSTRUCTION SHEET 408-9373.
- 3 BULK PACKAGED.
- 4 HOUSINGS: PBT MOLDING COMPOUND  
 NUT: PBT MOLDING COMPOUND  
 FERRULE ASSY: STAINLESS STEEL AND CERAMIC  
 INNER CRIMP RING: BRASS  
 OUTER CRIMP RING: COPPER  
 STRAIN RELIEF: POLYPROPYLENE  
 PROTECTIVE COVER: THERMOPLASTIC ELASTOMER

3	125um	5501780-3
	125um	5501780-1
	FIBER SIZE	PART NUMBER

DIMENSIONS:		TOLERANCES UNLESS OTHERWISE SPECIFIED:		DWN		Tyco Electronics	
mm		0 PLC	±	B. BRIGGS	05APR2006	Tyco Electronics Harrisburg, PA 17105-3608	
		1 PLC	±	CHK	05APR2006	NAME	
		2 PLC	±0.13	D. KIRSCH	05APR2006	CONNECTOR KIT, DUALAN CABLE, AMP FSD	
		3 PLC	±	APVD	05APR2006	SIZE	CAGE CODE
		4 PLC	±	S. BUCHTER		A2	00779
		ANGLES	±	PRODUCT SPEC		DRAWING NO	5501780
		FINISH		APPLICATION SPEC		RESTRICTED TO	
MATERIAL	4			WEIGHT			
				CUSTOMER DRAWING		SCALE	NTS
						SHEET	1
						OF	1
						REV	A