



Chipsmall Limited consists of a professional team with an average of over 10 year of expertise in the distribution of electronic components. Based in Hongkong, we have already established firm and mutual-benefit business relationships with customers from,Europe,America and south Asia,supplying obsolete and hard-to-find components to meet their specific needs.

With the principle of “Quality Parts,Customers Priority,Honest Operation,and Considerate Service”,our business mainly focus on the distribution of electronic components. Line cards we deal with include Microchip,ALPS,ROHM,Xilinx,Pulse,ON,Everlight and Freescale. Main products comprise IC,Modules,Potentiometer,IC Socket,Relay,Connector.Our parts cover such applications as commercial,industrial, and automotives areas.

We are looking forward to setting up business relationship with you and hope to provide you with the best service and solution. Let us make a better world for our industry!



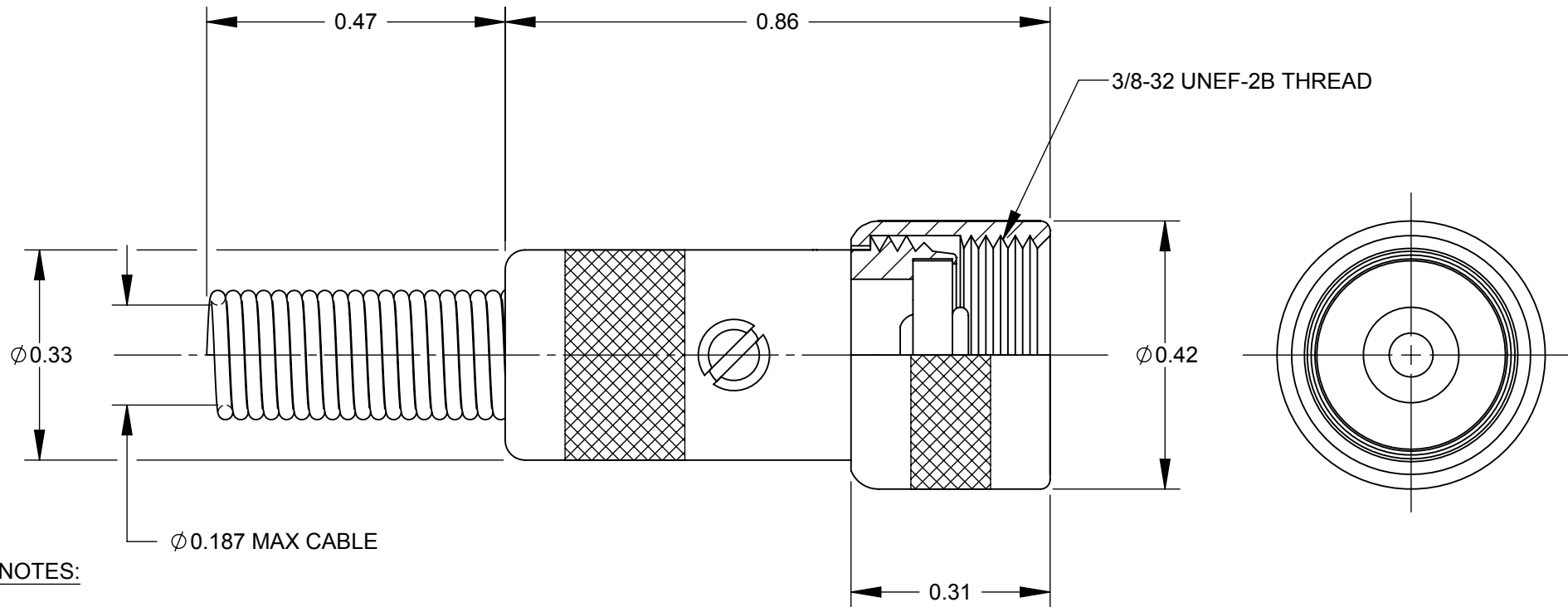
Contact us

Tel: +86-755-8981 8866 Fax: +86-755-8427 6832

Email & Skype: info@chipsmall.com Web: www.chipsmall.com

Address: A1208, Overseas Decoration Building, #122 Zhenhua RD., Futian, Shenzhen, China





NOTES:

1. MATERIALS:
 SCREW - STEEL, NICKEL PLATED
 HOUSING - BRASS, NICKEL PLATED
 SPRING - STEEL, NICKEL PLATED
 WASHER - PHENOLIC
 EYELET - BRASS, TIN PLATED
 COUPLING RING - NICKEL PLATED
2. ALL DIMENSIONS REFERENCE UNLESS OTHERWISE SPECIFIED.
3. THIS PRODUCT IS RoHS COMPLIANT.

CUSTOMER DRAWING

					THIS DRAWING DESCRIBES A DESIGN CONSIDERED PROPRIETARY IN NATURE, DEVELOPED AND MANUFACTURED BY SWITCHCRAFT INC. AND IS RELEASED ON A CONFIDENTIAL BASIS FOR IDENTIFICATION PURPOSES ONLY.					
					SIZE	WIDTH	MULT	LBS/M	TEMPER	
					UNLESS OTHERWISE SPECIFIED			FINISH		
					1. ALL DIMENSIONS IN INCHES			MATERIAL		
					- TWO PLACE DECIMALS ±0.02			SPEC No.		
					- THREE PLACE DECIMALS ±0.005			FIRST USED ON		
								SCALE 4:1		
A	26144	8/31/06	RS	TJK	DATE DRAWN	BY	CHKD	APVD	Switchcraft®	
REV	ECO NUMBER	DATE	BY	APVD	2/16/09	RS	2/16/09	RS		SHEET 1 OF 1
REVISIONS					DO NOT SCALE DRAWING					PART No. 5501FX
					NAME SINGLE-CONTACT MICROPHONE CONNECTOR FEMALE TYPE, RoHS					

