



Chipsmall Limited consists of a professional team with an average of over 10 year of expertise in the distribution of electronic components. Based in Hongkong, we have already established firm and mutual-benefit business relationships with customers from,Europe,America and south Asia,supplying obsolete and hard-to-find components to meet their specific needs.

With the principle of “Quality Parts,Customers Priority,Honest Operation,and Considerate Service”,our business mainly focus on the distribution of electronic components. Line cards we deal with include Microchip,ALPS,ROHM,Xilinx,Pulse,ON,Everlight and Freescale. Main products comprise IC,Modules,Potentiometer,IC Socket,Relay,Connector.Our parts cover such applications as commercial,industrial, and automotives areas.

We are looking forward to setting up business relationship with you and hope to provide you with the best service and solution. Let us make a better world for our industry!



Contact us

Tel: +86-755-8981 8866 Fax: +86-755-8427 6832

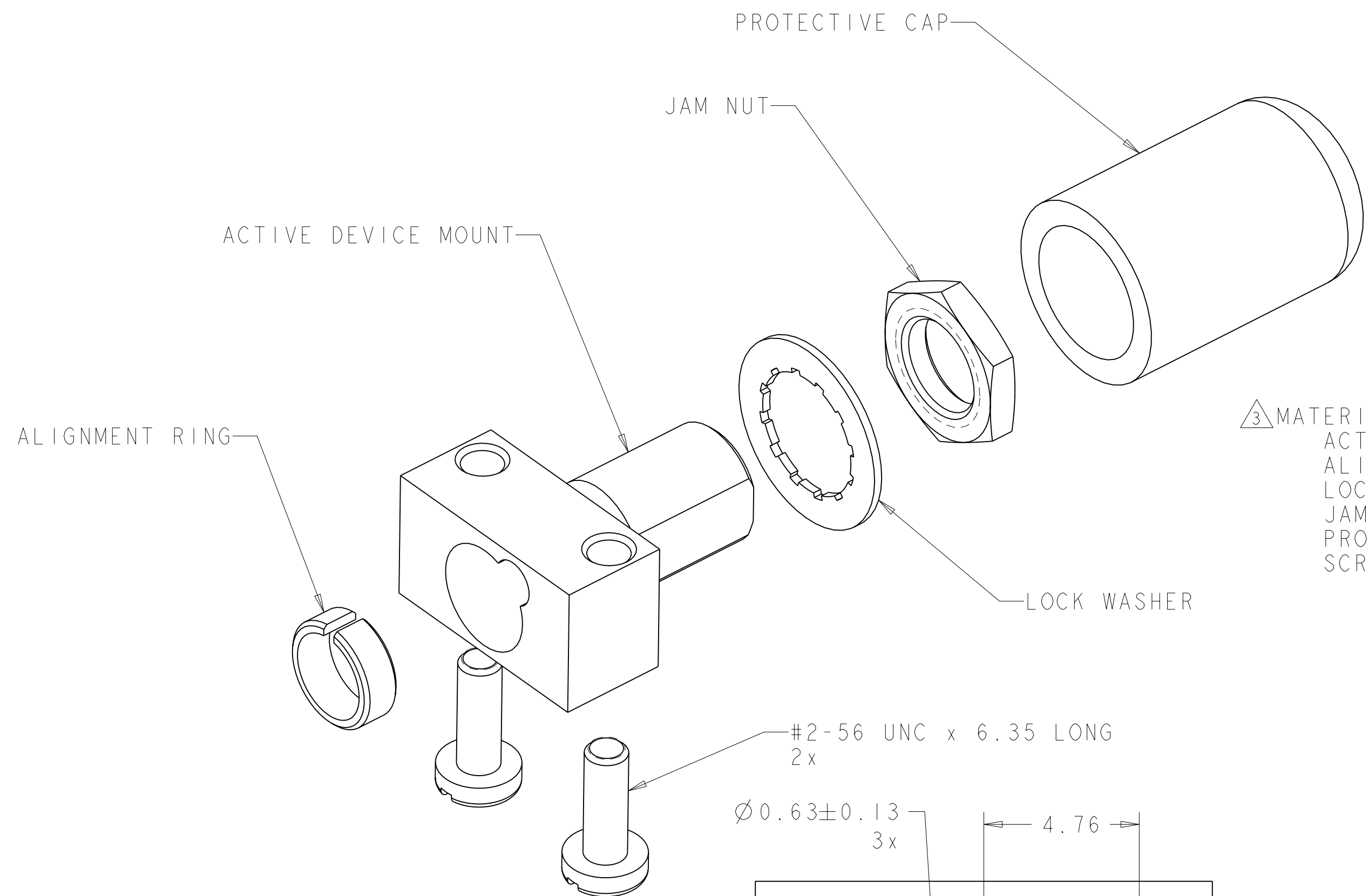
Email & Skype: info@chipsmall.com Web: www.chipsmall.com

Address: A1208, Overseas Decoration Building, #122 Zhenhua RD., Futian, Shenzhen, China



THIS DRAWING IS UNPUBLISHED. RELEASED FOR PUBLICATION 20
 © COPYRIGHT 20 BY TYCO ELECTRONICS CORPORATION. ALL RIGHTS RESERVED.

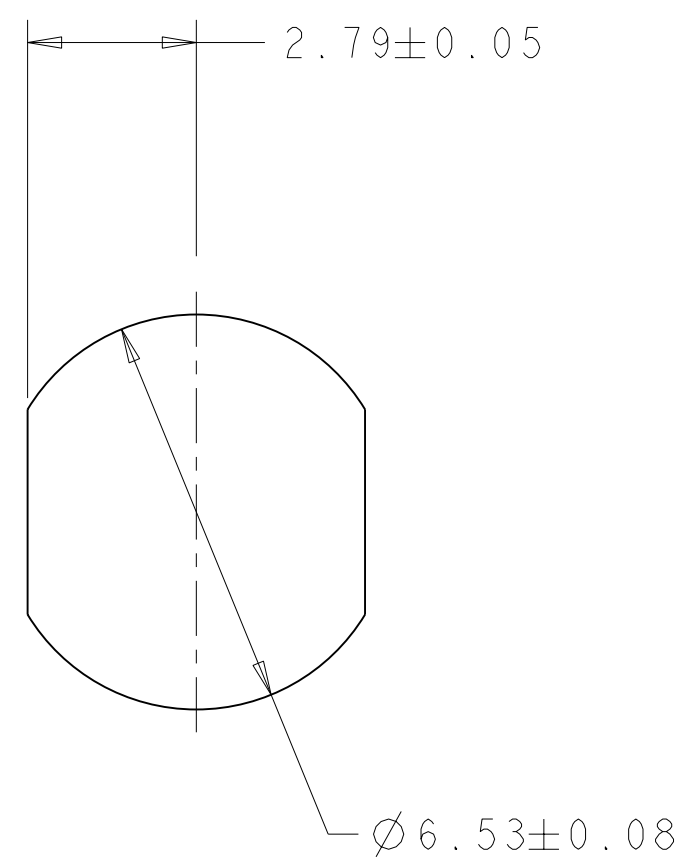
LOC		DIST		REVISIONS			
P	LTR	DESCRIPTION	DATE	DWN	APVD		
CE	00	I	NEW PRODUCT RELEASE	28JUN2005	BB	LS	



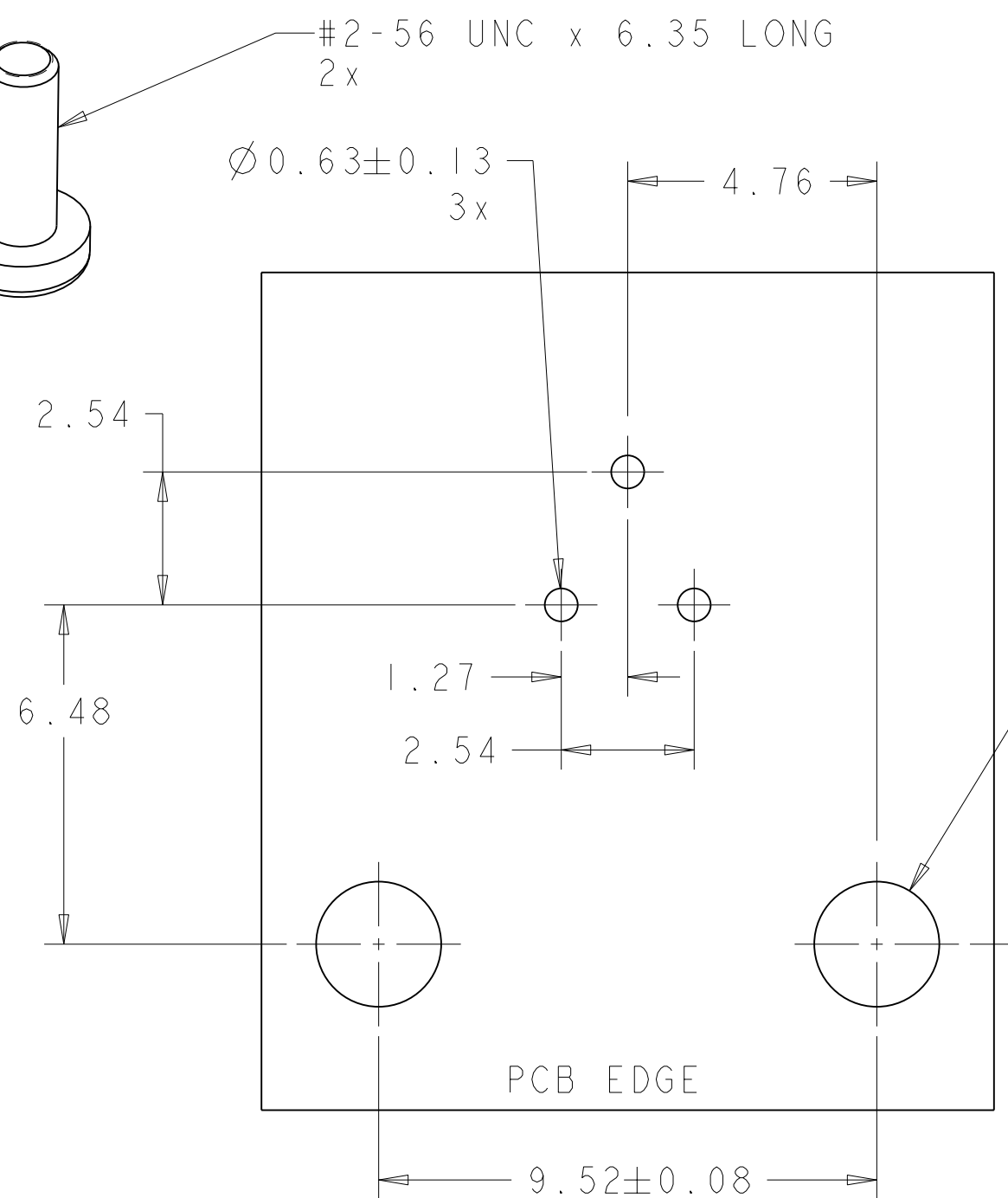
1. ACCEPTS ACTIVE DEVICES: TO-18 TYPE, TO-46 TYPE, TO-52 TYPE, AND HONEYWELL LOW COST PLASTIC SWEETSPOT.

2 BULK PACKAGE.

3 MATERIAL:
 ACTIVE DEVICE MOUNT: ZINC
 ALIGNMENT RING: TPE, UL94 V-0 RATED AT QUALIFYING THICKNESS.
 LOCK WASHER: STAINLESS STEEL
 JAM NUT: NICKEL PLATED BRASS
 PROTECTIVE CAP: VINYL, COLOR: RED
 SCREWS: STAINLESS STEEL



SUGGESTED CLEARANCE HOLE



SUGGESTED MOUNTING PATTERN
 MAX PANEL THICKNESS 1.57

2	5502136-2
	5502136-1
	PART NUMBER

<small>THIS DRAWING IS A CONTROLLED DOCUMENT FOR TYCO ELECTRONICS CORPORATION. IT IS SUBJECT TO CHANGE AND THE CONTROLLING ENGINEERING ORGANIZATION SHOULD BE CONTACTED FOR THE LATEST REVISION.</small>		DWN B. BRIGGS	28JUN2005	Tyco Electronics Harrisburg, PA 17105-3608	
DIMENSIONS: mm		CHK L. SAUERWEIN	28JUN2005	NAME ACTIVE DEVICE MOUNT KIT, PCB MOUNT, FSMA, OPTIMATE	
TOLERANCES UNLESS OTHERWISE SPECIFIED: 0 PLC ± 1 PLC ± 2 PLC ±0.25 3 PLC ± 4 PLC ± ANGLES ±		APVD S. BUCHTER	28JUN2005	PRODUCT SPEC	
MATERIAL 3		APPLICATION SPEC		SIZE A2	CAGE CODE 00779
FINISH		WEIGHT		DRAWING NO C=5502136	RESTRICTED TO
CUSTOMER DRAWING				SCALE 5:1	SHEET OF REV