



Chipsmall Limited consists of a professional team with an average of over 10 year of expertise in the distribution of electronic components. Based in Hongkong, we have already established firm and mutual-benefit business relationships with customers from,Europe,America and south Asia,supplying obsolete and hard-to-find components to meet their specific needs.

With the principle of “Quality Parts,Customers Priority,Honest Operation,and Considerate Service”,our business mainly focus on the distribution of electronic components. Line cards we deal with include Microchip,ALPS,ROHM,Xilinx,Pulse,ON,Everlight and Freescale. Main products comprise IC,Modules,Potentiometer,IC Socket,Relay,Connector.Our parts cover such applications as commercial,industrial, and automotives areas.

We are looking forward to setting up business relationship with you and hope to provide you with the best service and solution. Let us make a better world for our industry!



## Contact us

Tel: +86-755-8981 8866 Fax: +86-755-8427 6832

Email & Skype: info@chipsmall.com Web: www.chipsmall.com

Address: A1208, Overseas Decoration Building, #122 Zhenhua RD., Futian, Shenzhen, China



DWG. NO. SD-55022-002

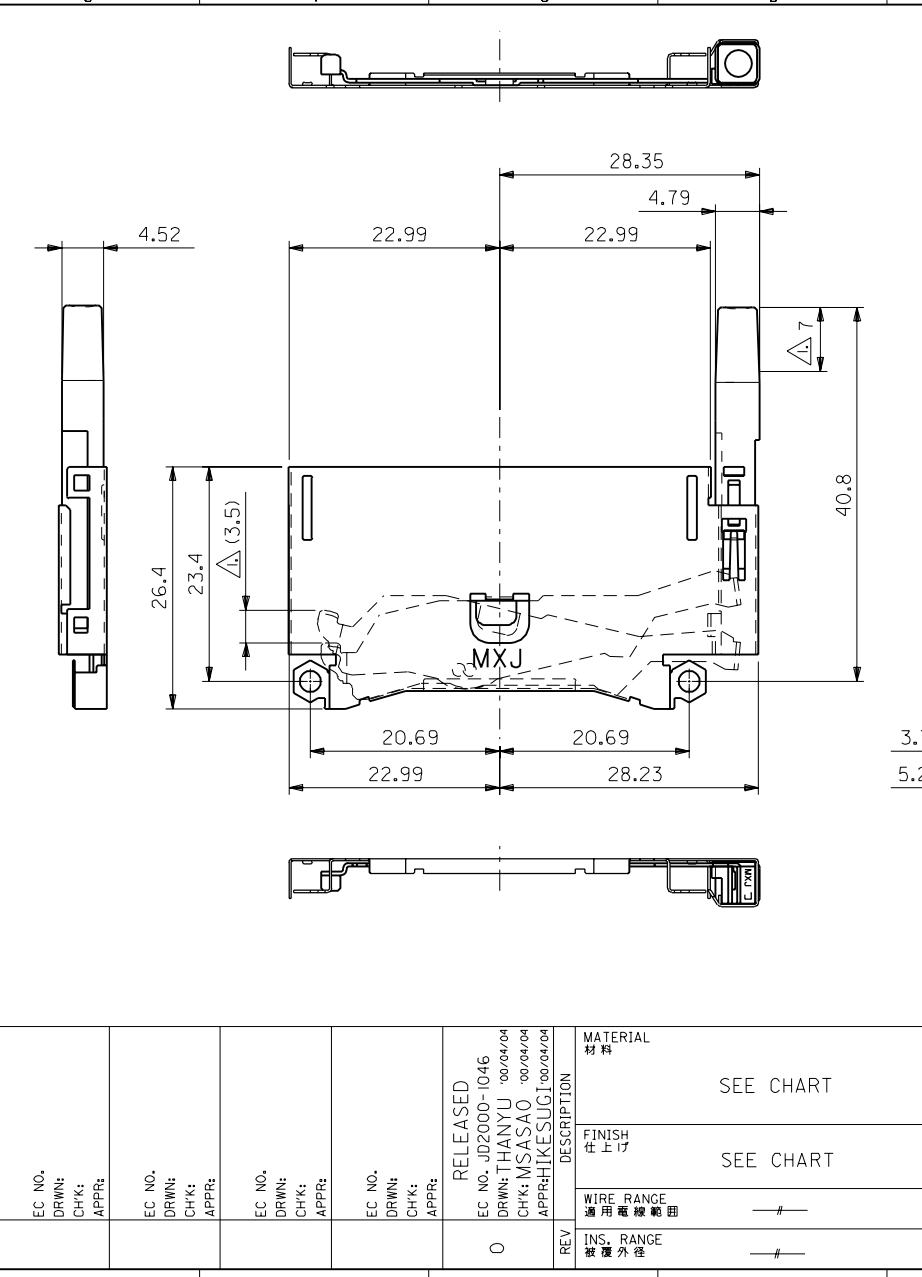
E

D

C

B

DO NOT SCALE DRAWING



No.	品名 NAME	材料 MATERIAL	仕上げ FINISH	個数 PIECE
1	METAL SHELL	ステンレス鋼 t 0.254 STAINLESS STEEL t 0.254	—	1
2	BUTTON	ガラス入りポリエスチル UL94V-0 PBT G.F. UL94V-0	—	1
3	LEVER	ステンレス鋼 t 0.4 STAINLESS STEEL t 0.4	—	1

注)  
NOTES

- △ ボタンストロークが 7mm の時、カード飛び出し量は (3.5mm)。  
WHEN BUTTON PUSH STROKE IS 7mm, CARD OUT BY (3.5mm).
- 2. 適合HEADER ASS'Y : 53856-5010,53927-5010  
APPLICABLE HEADER ASS'Y : 53856-5010,53927-5010

YELLOW	55022-0003
BLACK	55022-0001
BUTTON COLOR	MATERIAL No.

EC NO. DRWN: CHK: APPR:	EC NO. DRWN: CHK: APPR:	EC NO. DRWN: CHK: APPR:	EC NO. DRWN: CHK: APPR:	EC NO. DRWN: CHK: APPR:	REV	DESCRIPTION	MATERIAL 材料	GENERAL TOLERANCES: (UNLESS SPECIFIED) 一般公差	SCALE	DESIGN UNITS	THIRD ANGLE PROJECTION	DIMENSIONS:	SHT	REV
					0	RELEASED EC No. JD2000-1046 DRWN: THANYU '00/04/04 CHK: MSASAO '00/04/04 APPR: HIKESUGI '00/04/04	SEE CHART	10 UNDER 未満	2-1	<input checked="" type="checkbox"/> mm <input type="checkbox"/> INCH	<input type="checkbox"/> mm <input type="checkbox"/> INCH <input checked="" type="checkbox"/> mm ONLY	REVISION ON CAD ONLY		
							FINISH 仕上り	10 OVER 以上						
							WIRE RANGE 適用電線径	30 UNDER 未満						
							INS. RANGE 被覆外径	30 OVER 以上						
								ANGLE 角度						
DRAWN BY & DATE <i>J. Hanaya</i> '00/04/04											TITLE: CF CARD CONN. SHELL ASS'Y (FOR LEFT SIDE BUTTON)			
CHECKED BY & DATE <i>H. Saito</i> '00/04/04											APPROVED BY & DATE <i>H. Hanaya</i> '00/04/04			
CAD FILE NAME SD-55022-002.S01											MATERIAL NO. SEE CHART			
DRAWING NO. SD-55022-002											SHEET NO. 1 OF 1			
THIS DRAWING CONTAINS INFORMATION THAT IS PROPRIETARY TO MOLEX INCORPORATED AND SHOULD NOT BE USED WITHOUT WRITTEN PERMISSION.											SIZE B			

EN-02J(O97) MXJ-54

SD-55022-002-591