



Chipsmall Limited consists of a professional team with an average of over 10 year of expertise in the distribution of electronic components. Based in Hongkong, we have already established firm and mutual-benefit business relationships with customers from,Europe,America and south Asia,supplying obsolete and hard-to-find components to meet their specific needs.

With the principle of "Quality Parts,Customers Priority,Honest Operation,and Considerate Service",our business mainly focus on the distribution of electronic components. Line cards we deal with include Microchip,ALPS,ROHM,Xilinx,Pulse,ON,Everlight and Freescale. Main products comprise IC,Modules,Potentiometer,IC Socket,Relay,Connector.Our parts cover such applications as commercial,industrial, and automotives areas.

We are looking forward to setting up business relationship with you and hope to provide you with the best service and solution. Let us make a better world for our industry!



## Contact us

Tel: +86-755-8981 8866 Fax: +86-755-8427 6832

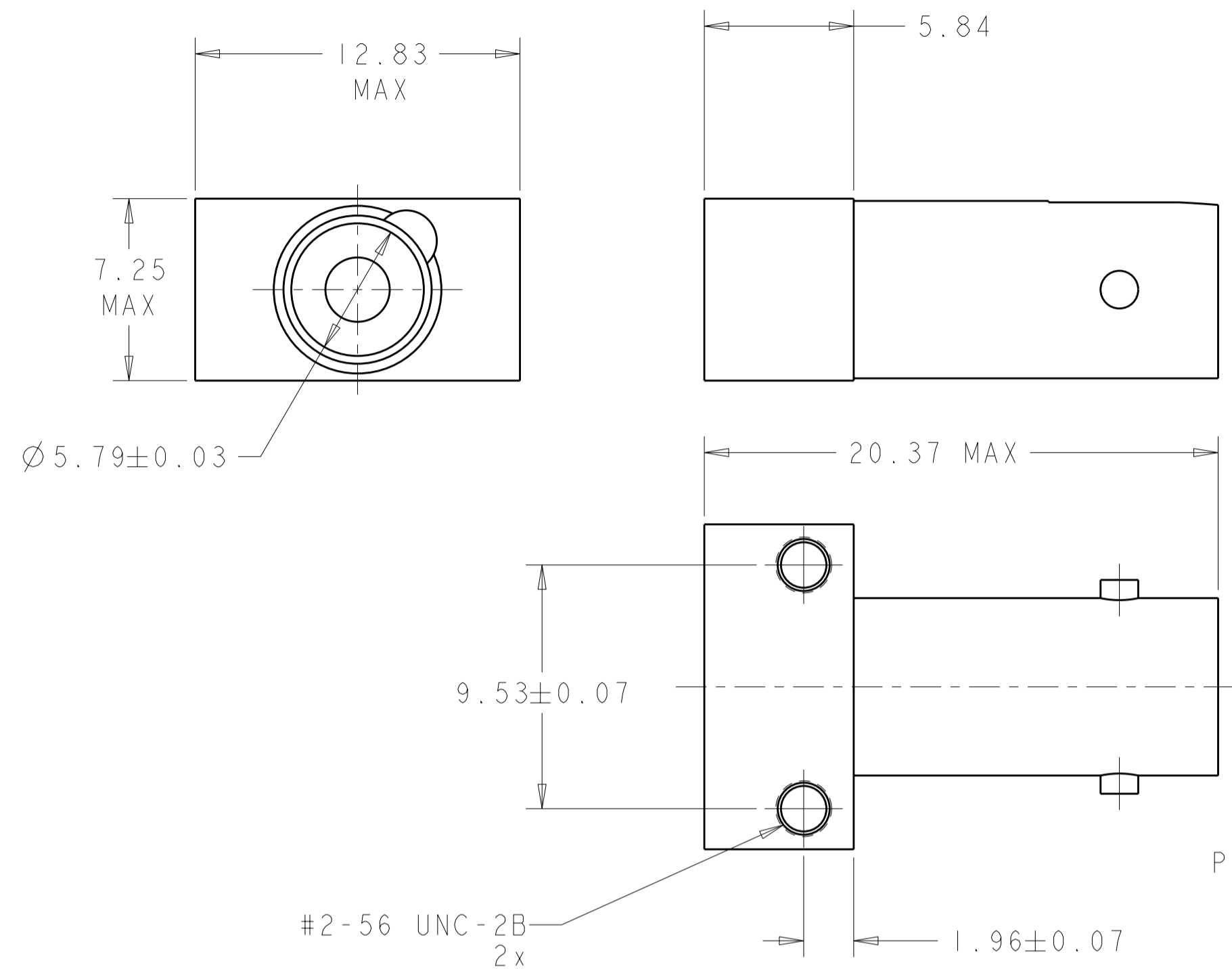
Email & Skype: info@chipsmall.com Web: www.chipsmall.com

Address: A1208, Overseas Decoration Building, #122 Zhenhua RD., Futian, Shenzhen, China



THIS DRAWING IS UNPUBLISHED. RELEASED FOR PUBLICATION 20  
 © COPYRIGHT 20 BY TYCO ELECTRONICS CORPORATION. ALL RIGHTS RESERVED.

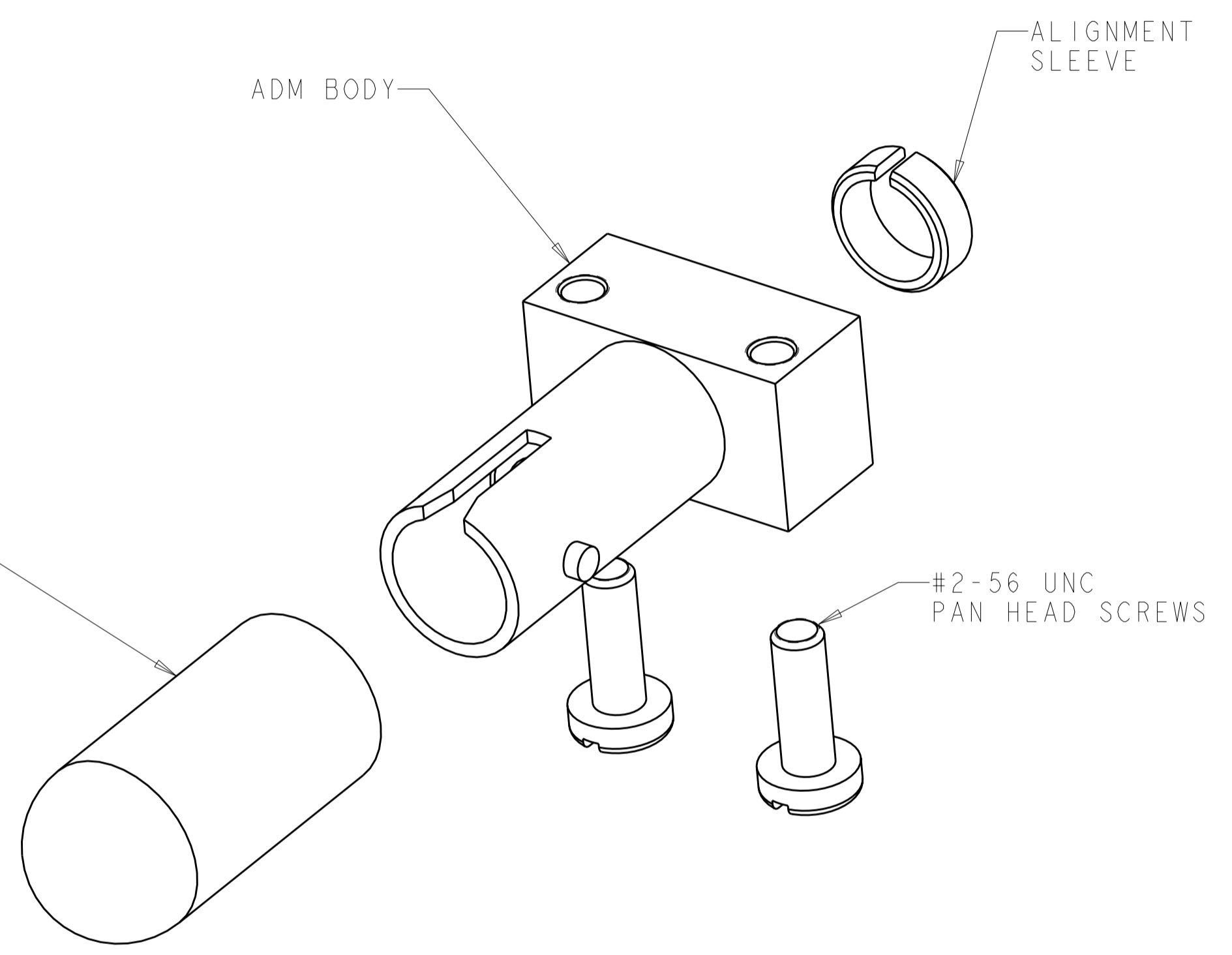
LOC	DIST	REVISIONS					
CE	00	P	LTR	DESCRIPTION	DATE	DWN	APVD
			A	RELEASE TO ACTIVE	09JUN2006	BB	SB



ACTIVE DEVICE MOUNT BODY

1. ACCEPTS ACTIVE DEVICES: TO-52, TO-18, TO-46 OR LOW COST HONEYWELL SWEETSPOT.

△ MATERIAL:  
 PROTECTIVE CAP: PVC, COLOR: RED, NON-FR.  
 ADM BODY: NICKEL PLATED ZINC  
 ALIGNMENT SLEEVE: PBT, COLOR: BLACK, UL94 V-0 RATED AT QUALIFYING THICKNESS



5502585-2  
 PART NUMBER

THIS DRAWING IS A CONTROLLED DOCUMENT FOR TYCO ELECTRONICS CORPORATION. IT IS SUBJECT TO CHANGE AND THE CONTROLLING ENGINEERING ORGANIZATION SHOULD BE CONTACTED FOR THE LATEST REVISION.		DWN B. BRIGGS 14OCT2005	tyco Electronics		Tyco Electronics Harrisburg, PA 17105-3608	
DIMENSIONS: mm		CHK S. BUCHTER 14OCT2005	NAME ACTIVE DEVICE MOUNT KIT, 2.5mm BAYONET			
TOLERANCES UNLESS OTHERWISE SPECIFIED: 0 PLC ± 1 PLC ± 2 PLC ±0.13 3 PLC ± 4 PLC ± ANGLES ± FINISH		APVD S. BUCHTER 14OCT2005	RESTRICTED TO			
MATERIAL △ -		PRODUCT SPEC -	SIZE A200779	CAGE CODE C-5502585	DRAWING NO 5502585	SCALE 5:1
		APPLICATION SPEC -	SHEET 1 OF 1		REV A	
		WEIGHT -	CUSTOMER DRAWING			