



Chipsmall Limited consists of a professional team with an average of over 10 year of expertise in the distribution of electronic components. Based in Hongkong, we have already established firm and mutual-benefit business relationships with customers from,Europe,America and south Asia,supplying obsolete and hard-to-find components to meet their specific needs.

With the principle of “Quality Parts,Customers Priority,Honest Operation,and Considerate Service”,our business mainly focus on the distribution of electronic components. Line cards we deal with include Microchip,ALPS,ROHM,Xilinx,Pulse,ON,Everlight and Freescale. Main products comprise IC,Modules,Potentiometer,IC Socket,Relay,Connector.Our parts cover such applications as commercial,industrial, and automotives areas.

We are looking forward to setting up business relationship with you and hope to provide you with the best service and solution. Let us make a better world for our industry!



## Contact us

Tel: +86-755-8981 8866 Fax: +86-755-8427 6832

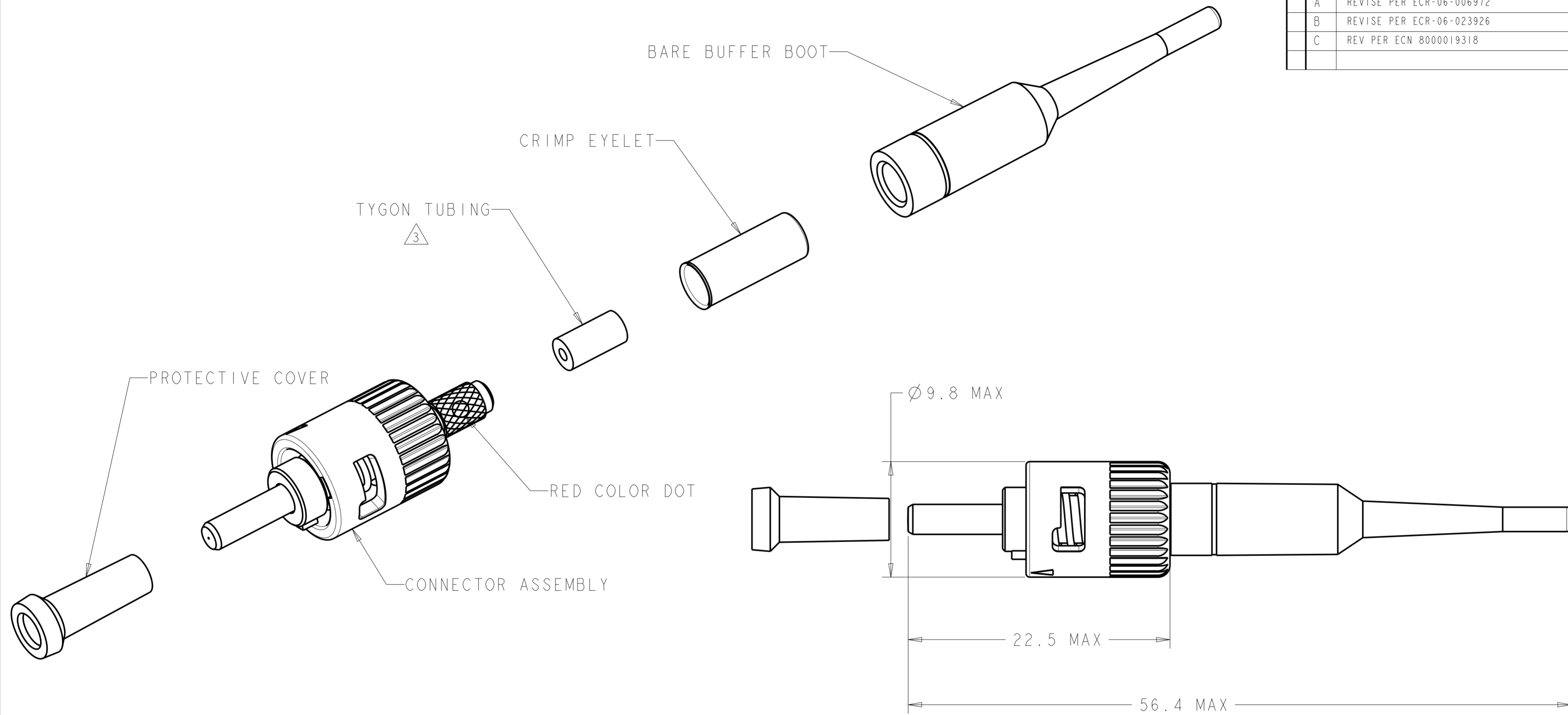
Email & Skype: info@chipsmall.com Web: www.chipsmall.com

Address: A1208, Overseas Decoration Building, #122 Zhenhua RD., Futian, Shenzhen, China



THIS DRAWING IS UNPUBLISHED. RELEASED FOR PUBLICATION  
 © 2016 COMMScope, INC. CONFIDENTIAL NOTICE: THESE DRAWINGS AND SPECIFICATIONS ARE THE PROPRIETARY PROPERTY OF COMMScope, INC. AND MAY BE USED ONLY FOR THE SPECIFIC PURPOSE AUTHORIZED IN WRITING BY COMMScope, INC.

REVISIONS				
P	LTR	DESCRIPTION	DATE	APVD
A		REVISE PER ECR-06-006972	23MAR2006	BB SB
B		REVISE PER ECR-06-023926	12OCT2006	BB SB
C		REV PER ECN 8000019318	31JAN2017	GG TE



- △ MATERIAL:  
 PROTECTIVE COVER: LDPE, COLOR: BLACK, NON-FR.  
 CONNECTOR ASSEMBLY  
 FERRULE ASSEMBLY: CERAMIC/NICKEL PLATED BRASS  
 SPRING: STAINLESS STEEL  
 COUPLING NUT: ZINC  
 RETENTION RING: STAINLESS STEEL  
 CRIMP EYELET: TIN PLATED COPPER  
 BARE BUFFER BOOT: TPE, UL94 V-0 RATED AT QUALIFYING THICKNESS  
 TYGON TUBING: TYGON, COLOR: CLEAR

△ BULK PACKAGE.

△ TYGON TUBING USED ONLY WITH 900um BUFFERED FIBER. (FIBER WITHOUT STRENGTH MEMBERS)

ASSEMBLED CONNECTOR

△	-	-	5503613-4
△	TYGON	YELLOW	5503613-3
	TYGON	YELLOW	5503613-2
	TUBING △	BUFFER BOOT COLOR	PART NUMBER

THIS DRAWING IS A CONTROLLED DOCUMENT.		DWN B. BRIGGS 24 JUN 2005	<b>COMMScope, INC.</b>	
DIMENSIONS: mm		CHK S. BUCHTER 24 JUN 2005		
TOLERANCES UNLESS OTHERWISE SPECIFIED: 0 PLC ± 1 PLC ± 2 PLC ± 3 PLC ± 4 PLC ± ANGLES ± FINISH		APVD S. BUCHTER 24 JUN 2005	NAME CONNECTOR KIT, 2.5mm BAYONET, SINGLEMODE, OPTIMATE	
MATERIAL △ -		PRODUCT SPEC -	SIZE A2	CAGE CODE C-5503613
		APPLICATION SPEC -	DRAWING NO C-5503613	RESTRICTED TO -
		WEIGHT -	SCALE 4:1	SHEET 1 OF 1 REV C
		CUSTOMER DRAWING		