



Chipsmall Limited consists of a professional team with an average of over 10 year of expertise in the distribution of electronic components. Based in Hongkong, we have already established firm and mutual-benefit business relationships with customers from,Europe,America and south Asia,supplying obsolete and hard-to-find components to meet their specific needs.

With the principle of “Quality Parts,Customers Priority,Honest Operation,and Considerate Service”,our business mainly focus on the distribution of electronic components. Line cards we deal with include Microchip,ALPS,ROHM,Xilinx,Pulse,ON,Everlight and Freescale. Main products comprise IC,Modules,Potentiometer,IC Socket,Relay,Connector.Our parts cover such applications as commercial,industrial, and automotives areas.

We are looking forward to setting up business relationship with you and hope to provide you with the best service and solution. Let us make a better world for our industry!



## Contact us

Tel: +86-755-8981 8866 Fax: +86-755-8427 6832

Email & Skype: info@chipsmall.com Web: www.chipsmall.com

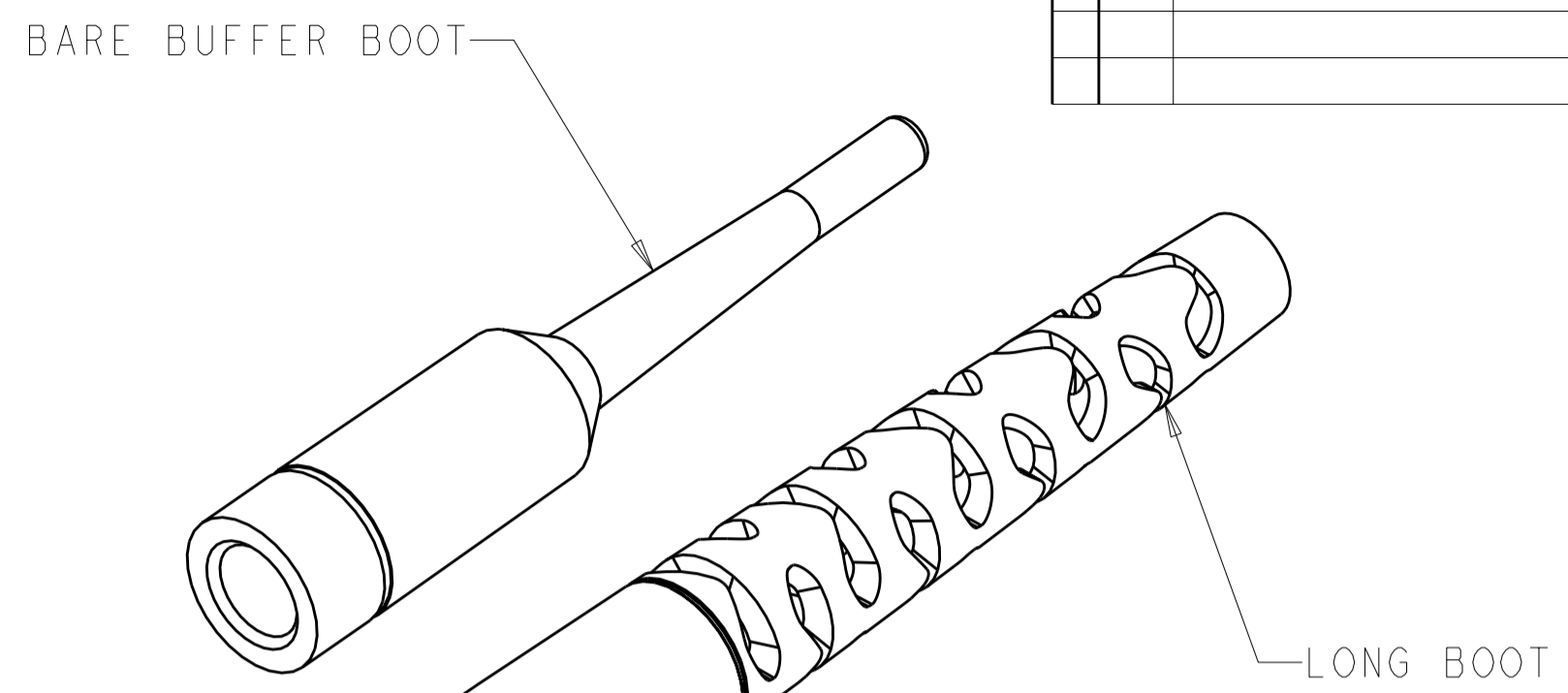
Address: A1208, Overseas Decoration Building, #122 Zhenhua RD., Futian, Shenzhen, China



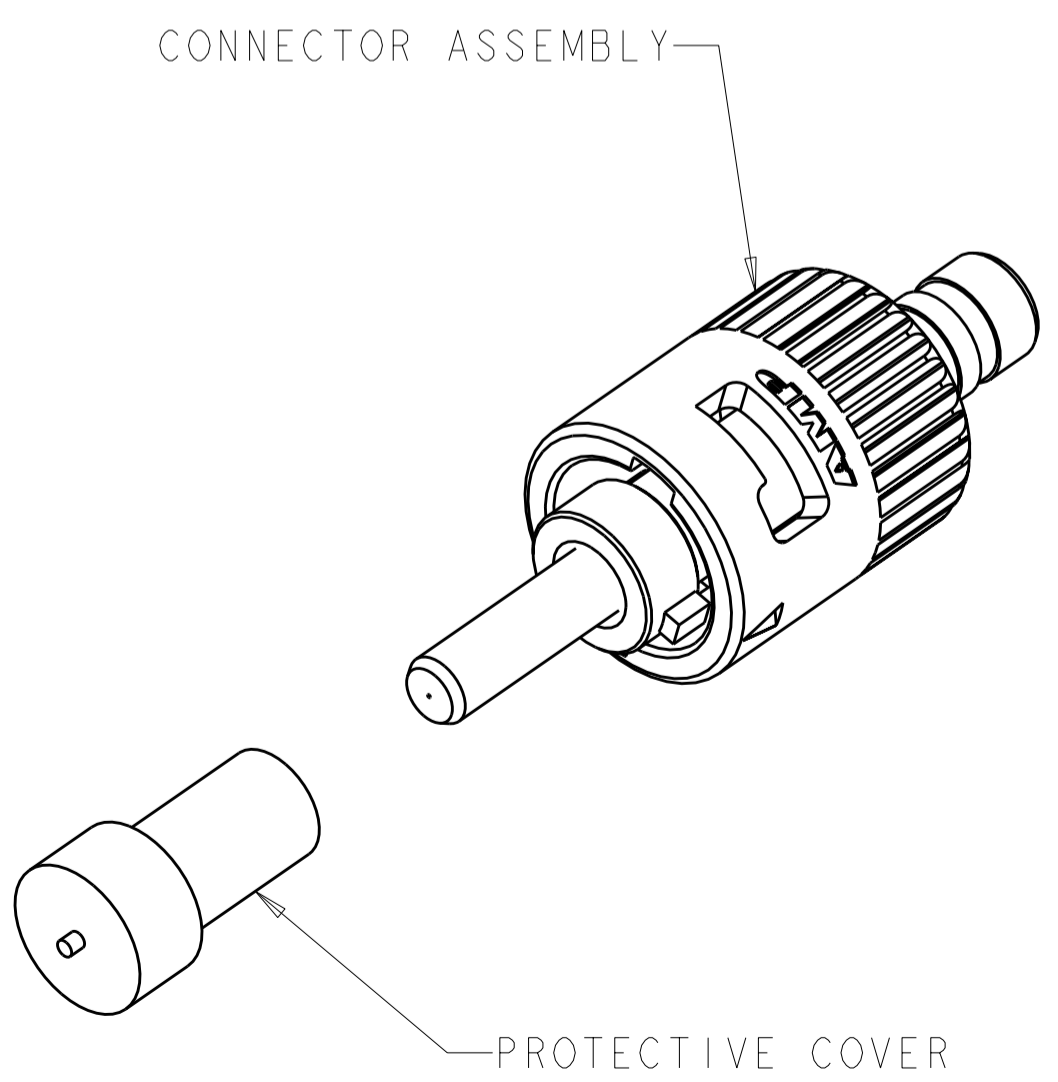
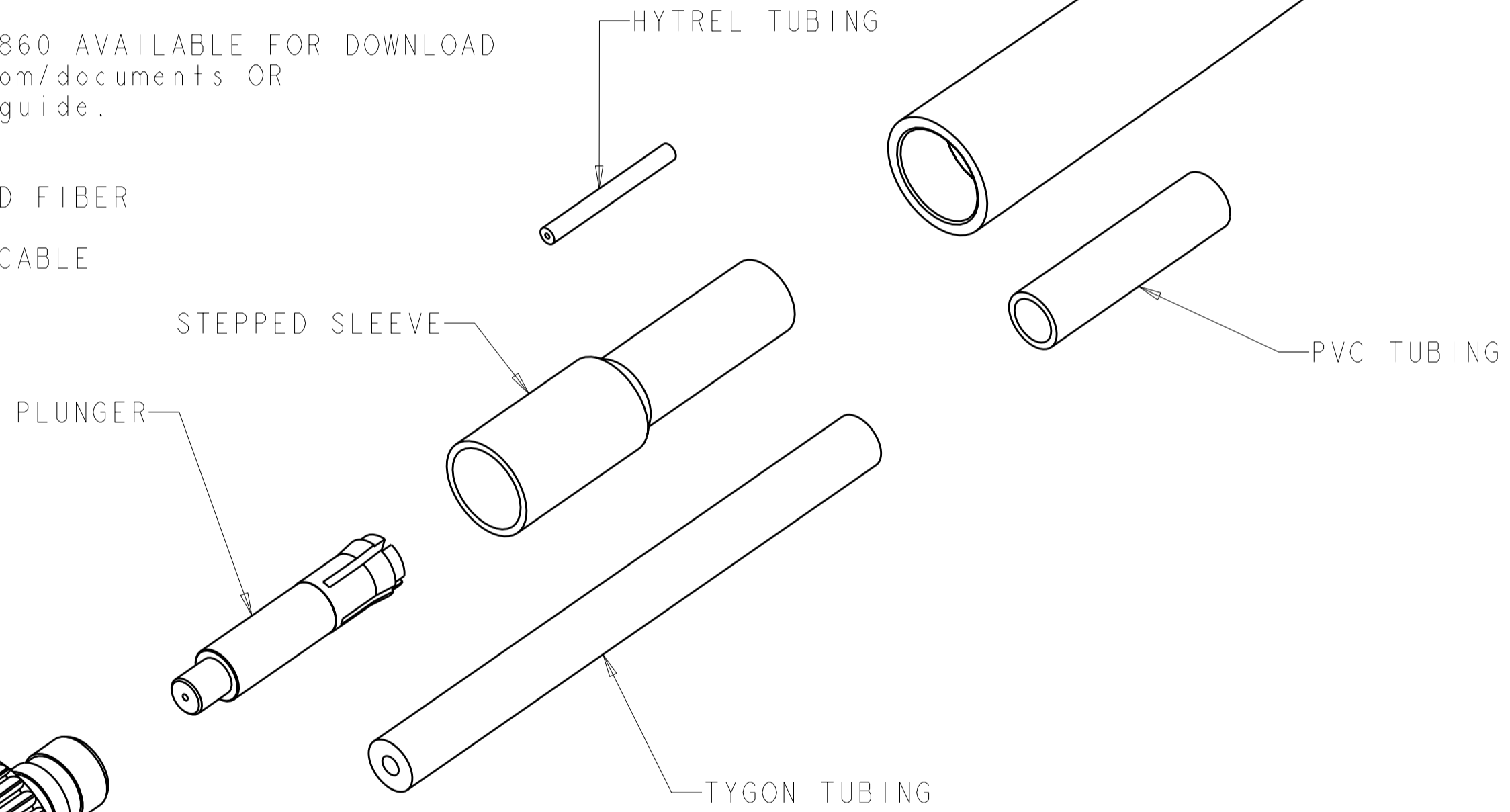
THIS DRAWING IS UNPUBLISHED. RELEASED FOR PUBLICATION 20  
 © COPYRIGHT 20 BY TYCO ELECTRONICS CORPORATION. ALL RIGHTS RESERVED.

LOC		DIST		REVISIONS			
P	LTR	DESCRIPTION	DATE	DWN	APVD		
	A	RELEASE TO ACTIVE	08JUN2006	BB	LS		
	AI	ADD NOTE 2	13MAR2009	BB	SB		

⚠ MATERIAL:  
 CONNECTOR ASSY  
 REAR BODY: ALUMINUM ALLOY  
 PLUNGER: ALUMINUM ALLOY  
 FERRULE: CERAMIC  
 COUPLING NUT: ZINC, NICKEL PLATED  
 INTERNAL COMPONENTS: RUBBER, COLOR: BLACK  
 SPRING: STAINLESS STEEL  
 PROTECTIVE COVER: LDPE, COLOR: BLACK, NON-FR  
 CRIMP EYELET: COPPER, NICKEL PLATED  
 POLYMER TUBING: TYGON, COLOR: CLEAR  
                   HYTREL, COLOR: WHITE  
                   PVC, COLOR: BLACK  
 STRAIN RELIEF: POLYOLEFIN ELASTOMER, COLOR: BLACK, NON-FR  
 BOOT: POLYOLEFIN ELASTOMER, COLOR: BLACK\*  
 \*UL94 V-0 RATED AT QUALIFYING THICKNESS.



- INSTRUCTION SHEET: 408-9860 AVAILABLE FOR DOWNLOAD AT [www.tycoelectronics.com/documents](http://www.tycoelectronics.com/documents) OR [www.ampnetconnect.com/foguide](http://www.ampnetconnect.com/foguide).
- THIS KIT WILL TERMINATE:  
 900um TIGHT BUFFERED FIBER  
 250um COATED FIBER  
 2.0-3.0mm JACKETED CABLE



125um	250um/0.8-1.0mm	5504001-1
FIBER SIZE	BUFFER SIZE	PART NUMBER

THIS DRAWING IS A CONTROLLED DOCUMENT FOR TYCO ELECTRONICS CORPORATION. IT IS SUBJECT TO CHANGE AND THE CONTROLLING ENGINEERING ORGANIZATION SHOULD BE CONTACTED FOR THE LATEST REVISION.		DWN B. BRIGGS 20 JUN 2005	Tyco Electronics Harrisburg, PA 17105-3608	
DIMENSIONS: mm		CHK L. SAUERWEIN 20 JUN 2005	NAME CONNECTOR KIT, XTC, 125um, CERAMIC, MULTIMODE	
TOLERANCES UNLESS OTHERWISE SPECIFIED: 0 PLC ± 1 PLC ± 2 PLC ± 3 PLC ± 4 PLC ± ANGLES ± FINISH		APVD S. BUCHTER 20 JUN 2005	RESTRICTED TO	
MATERIAL		PRODUCT SPEC	SIZE A200779	DRAWING NO C-5504001
⚠		APPLICATION SPEC	SCALE 4:1 SHEET 1 OF 1 REV AI	
		WEIGHT	CUSTOMER DRAWING	