



Chipsmall Limited consists of a professional team with an average of over 10 year of expertise in the distribution of electronic components. Based in Hongkong, we have already established firm and mutual-benefit business relationships with customers from,Europe,America and south Asia,supplying obsolete and hard-to-find components to meet their specific needs.

With the principle of “Quality Parts,Customers Priority,Honest Operation,and Considerate Service”,our business mainly focus on the distribution of electronic components. Line cards we deal with include Microchip,ALPS,ROHM,Xilinx,Pulse,ON,Everlight and Freescale. Main products comprise IC,Modules,Potentiometer,IC Socket,Relay,Connector.Our parts cover such applications as commercial,industrial, and automotives areas.

We are looking forward to setting up business relationship with you and hope to provide you with the best service and solution. Let us make a better world for our industry!



Contact us

Tel: +86-755-8981 8866 Fax: +86-755-8427 6832

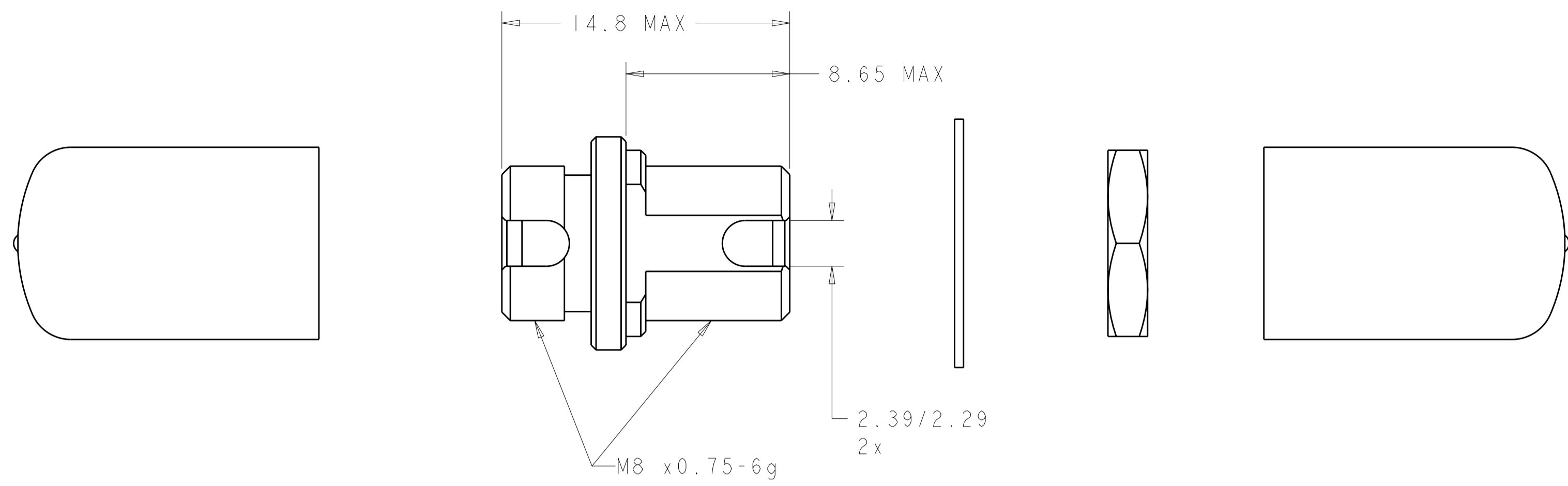
Email & Skype: info@chipsmall.com Web: www.chipsmall.com

Address: A1208, Overseas Decoration Building, #122 Zhenhua RD., Futian, Shenzhen, China

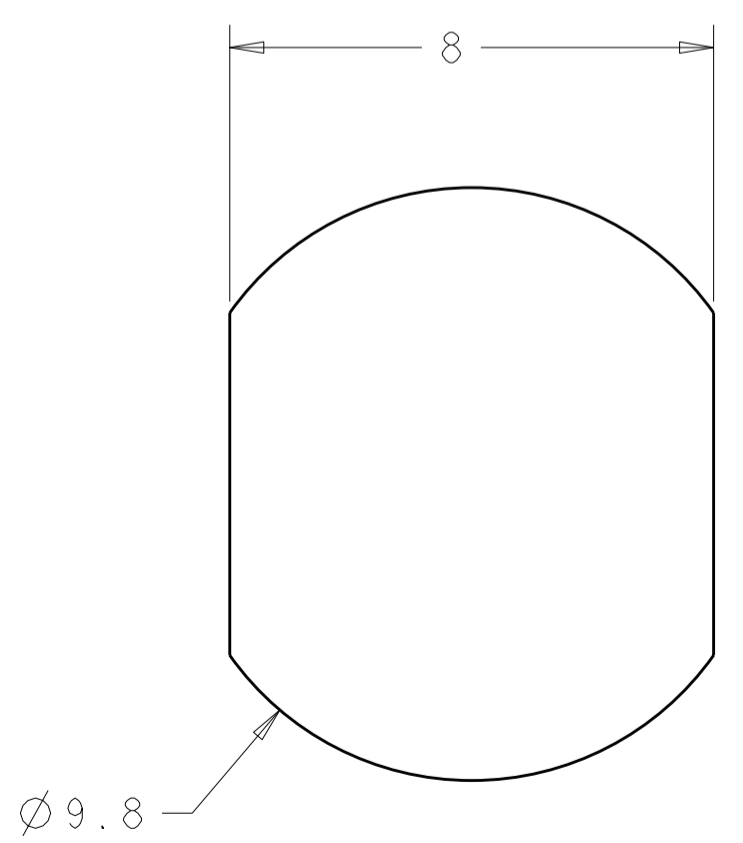
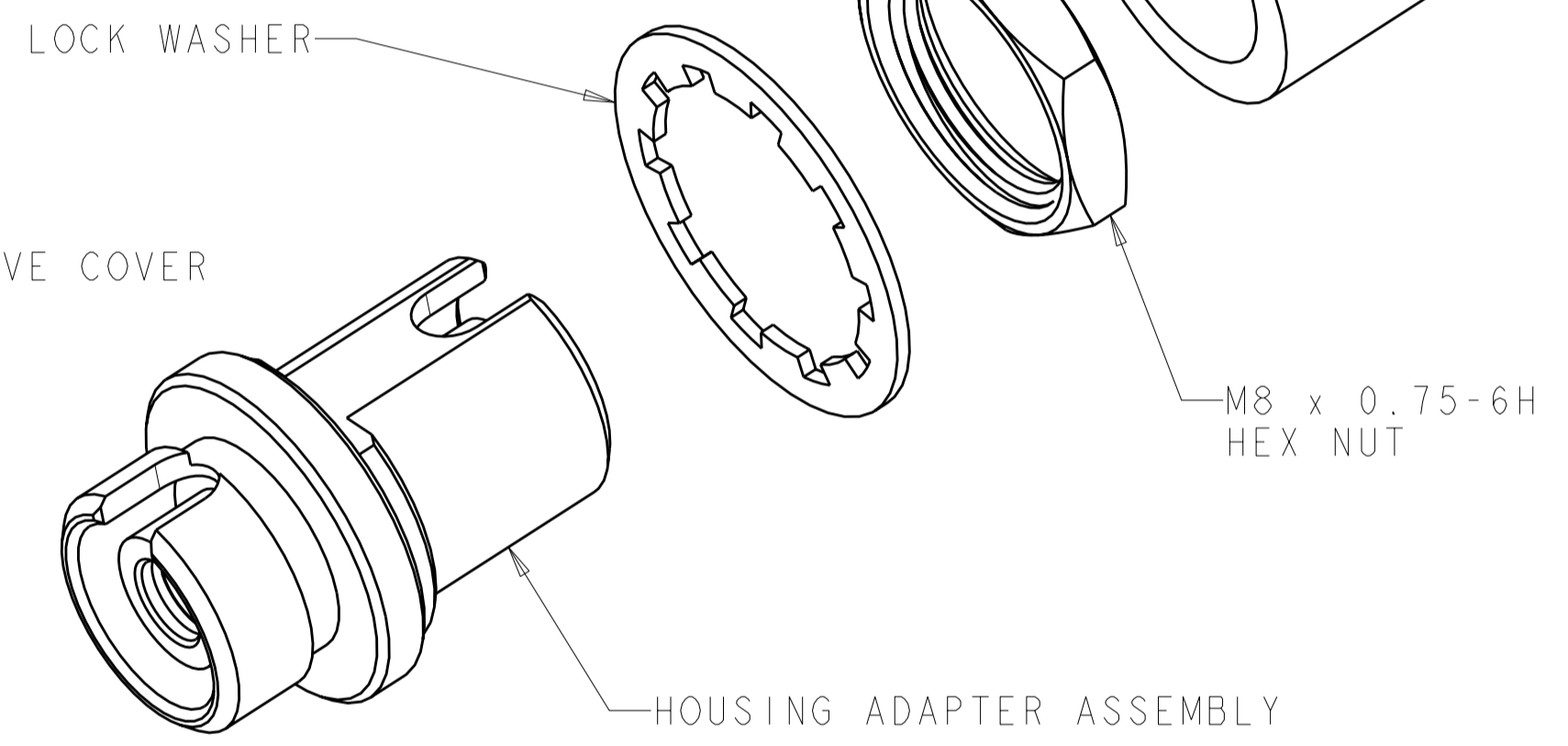


THIS DRAWING IS UNPUBLISHED. RELEASED FOR PUBLICATION 20
 © COPYRIGHT 20 BY TYCO ELECTRONICS CORPORATION. ALL RIGHTS RESERVED.

LOC	DIST	REVISIONS					
CE	00	P	LTR	DESCRIPTION	DATE	DWN	APVD
			A	RELEASE TO ACTIVE	07JUN2006	BB	SM



⚠ MATERIAL:
 HOUSING: NICKEL PLATED BRASS
 ADAPTER INSERT: NICKEL PLATED BRASS
 HEX NUT: NICKEL PLATED BRASS
 SLEEVE: PHOSHER BRONZE
 LOCK WASHER: STAINLESS STEEL
 PROTECTIVE COVER: VINYL, COLOR: RED



SUGGESTED PANEL CUTOUT
 MAXIMUM PANEL THICKNESS 1.65
 SCALE 8:1

5504013-1
 PART NUMBER

THIS DRAWING IS A CONTROLLED DOCUMENT FOR TYCO ELECTRONICS CORPORATION. IT IS SUBJECT TO CHANGE AND THE CONTROLLING ENGINEERING ORGANIZATION SHOULD BE CONTACTED FOR THE LATEST REVISION.		DWN B. BRIGGS 08DEC2005	Tyco Electronics Harrisburg, PA 17105-3608	
DIMENSIONS: mm		CHK S. MILLER 08DEC2005	NAME RECTACLE, FC, STANDARD SLOT	
TOLERANCES UNLESS OTHERWISE SPECIFIED: 0 PLC ±0.1 1 PLC ±0.1 2 PLC ±0.25 3 PLC ± 4 PLC ± ANGLES ± FINISH		APVD S. BUCHTER 08DEC2005	RESTRICTED TO	
MATERIAL		PRODUCT SPEC	SIZE	CAGE CODE
⚠		APPLICATION SPEC	A2	00779
		WEIGHT	©	5504013
		CUSTOMER DRAWING	SCALE	5:1
			SHEET	1 OF 1
			REV	A