



Chipsmall Limited consists of a professional team with an average of over 10 year of expertise in the distribution of electronic components. Based in Hongkong, we have already established firm and mutual-benefit business relationships with customers from,Europe,America and south Asia,supplying obsolete and hard-to-find components to meet their specific needs.

With the principle of “Quality Parts,Customers Priority,Honest Operation,and Considerate Service”,our business mainly focus on the distribution of electronic components. Line cards we deal with include Microchip,ALPS,ROHM,Xilinx,Pulse,ON,Everlight and Freescale. Main products comprise IC,Modules,Potentiometer,IC Socket,Relay,Connector.Our parts cover such applications as commercial,industrial, and automotives areas.

We are looking forward to setting up business relationship with you and hope to provide you with the best service and solution. Let us make a better world for our industry!



Contact us

Tel: +86-755-8981 8866 Fax: +86-755-8427 6832

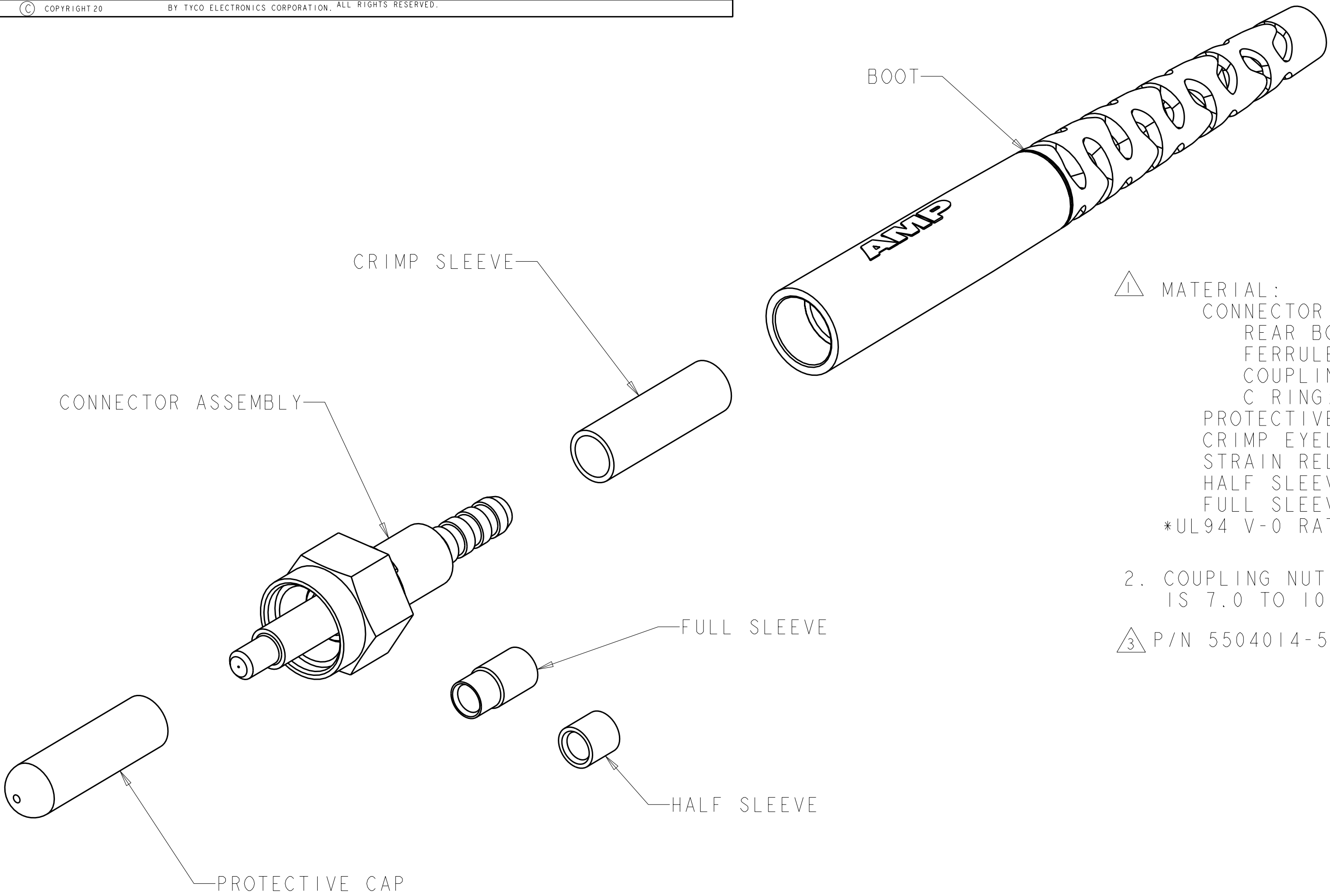
Email & Skype: info@chipsmall.com Web: www.chipsmall.com

Address: A1208, Overseas Decoration Building, #122 Zhenhua RD., Futian, Shenzhen, China

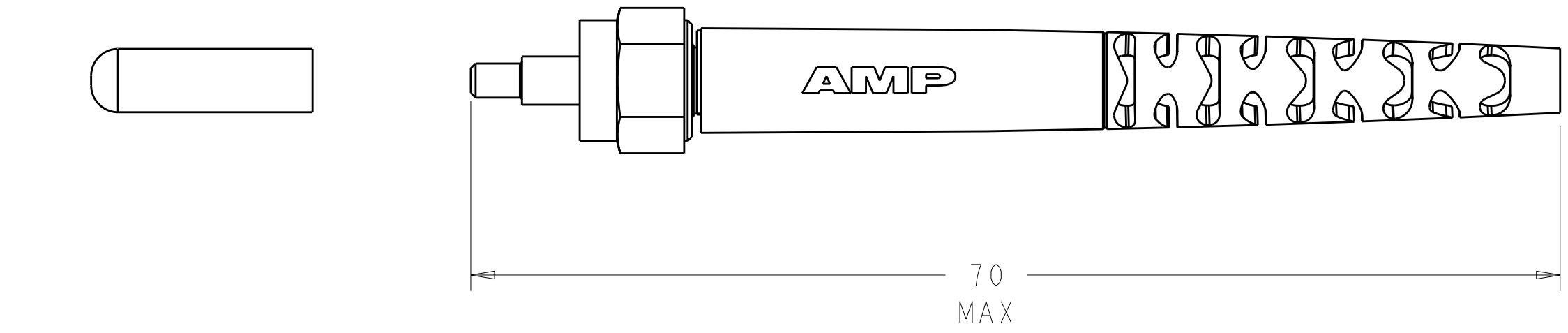


THIS DRAWING IS UNPUBLISHED. RELEASED FOR PUBLICATION 20
 © COPYRIGHT 20 BY TYCO ELECTRONICS CORPORATION. ALL RIGHTS RESERVED.

LOC	DIST	REVISIONS			
P	LTR	DESCRIPTION	DATE	DWN	APVD
		I	NEW PRODUCT RELEASE	25JAN2006	BB LS
		A	RELEASED PER ECR-07-004102	15MAR2007	JWD LS



1. MATERIAL:
 CONNECTOR ASSEMBLY:
 REAR BODY: NICKEL PLATED BRASS OR STAINLESS STEEL ³
 FERRULE: STAINLESS STEEL
 COUPLING NUT: NICKEL PLATED BRASS OR STAINLESS STEEL ³
 C RING: STAINLESS STEEL
 PROTECTIVE CAP: VINYL, COLOR: RED
 CRIMP EYELET: NICKEL PLATED BRASS
 STRAIN RELIEF: POLYOLEFIN ELASTOMER, COLOR: BLACK*
 HALF SLEEVE: ACETAL, COLOR: WHITE
 FULL SLEEVE: ACETAL, COLOR: WHITE
 *UL94 V-0 RATED AT QUALIFYING THICKNESS.
2. COUPLING NUT NORMAL TIGHTENING. TORQUE RANGE IS 7.0 TO 10.0 in-lbf. DO NOT EXCEED 20 in-lbf.
- ³ P/N 5504014-5 HAS STAINLESS STEEL REAR BODY AND COUPLING NUT.



145um	2-5504014-7
140um	1-5504014-0
³ 125um	5504014-5
125um	5504014-1
HOLE SIZE	PART NUMBER

THIS DRAWING IS A CONTROLLED DOCUMENT FOR TYCO ELECTRONICS CORPORATION. IT IS SUBJECT TO CHANGE AND THE CONTROLLING ENGINEERING ORGANIZATION SHOULD BE CONTACTED FOR THE LATEST REVISION.		DWN B. BRIGGS 25JAN2006	Tyco Electronics Harrisburg, PA 17105-3608	
DIMENSIONS: mm		CHK L. SAUERWEIN 25JAN2006	NAME CONNECTOR KIT, FSMA 906, 3.1mm CABLE	
TOLERANCES UNLESS OTHERWISE SPECIFIED: 0 PLC ± 1 PLC ± 2 PLC ± 3 PLC ± 4 PLC ± ANGLES ± FINISH		APVD S. BUCHTER 25JAN2006	RESTRICTED TO	
MATERIAL	-	PRODUCT SPEC	SIZE A200779	CAGE CODE C-5504014
CUSTOMER DRAWING		APPLIC. SPEC	SCALE 4:1	SHEET 1 OF 1
		WEIGHT	REV A	