



Chipsmall Limited consists of a professional team with an average of over 10 year of expertise in the distribution of electronic components. Based in Hongkong, we have already established firm and mutual-benefit business relationships with customers from,Europe,America and south Asia,supplying obsolete and hard-to-find components to meet their specific needs.

With the principle of “Quality Parts,Customers Priority,Honest Operation,and Considerate Service”,our business mainly focus on the distribution of electronic components. Line cards we deal with include Microchip,ALPS,ROHM,Xilinx,Pulse,ON,Everlight and Freescale. Main products comprise IC,Modules,Potentiometer,IC Socket,Relay,Connector.Our parts cover such applications as commercial,industrial, and automotives areas.

We are looking forward to setting up business relationship with you and hope to provide you with the best service and solution. Let us make a better world for our industry!



Contact us

Tel: +86-755-8981 8866 Fax: +86-755-8427 6832

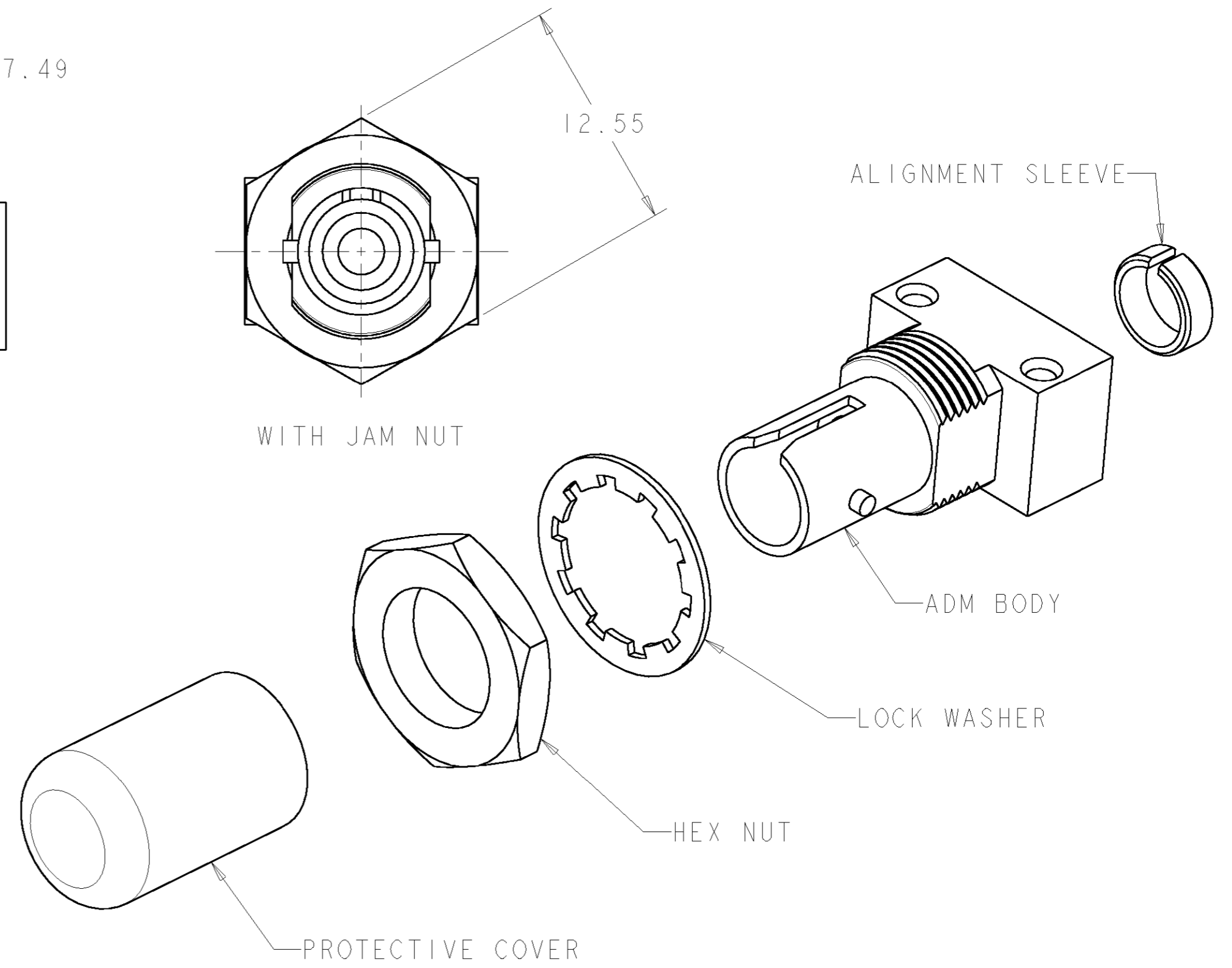
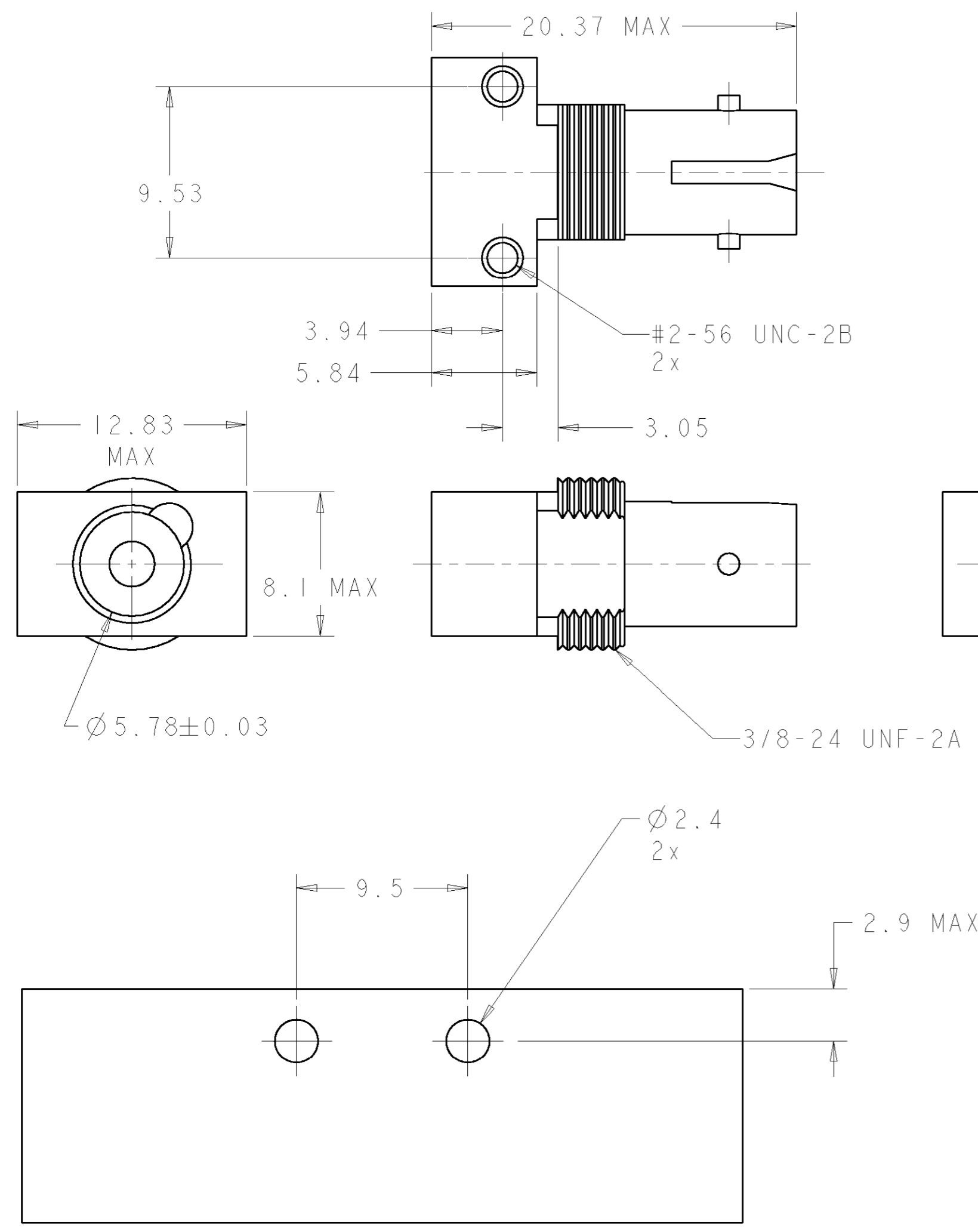
Email & Skype: info@chipsmall.com Web: www.chipsmall.com

Address: A1208, Overseas Decoration Building, #122 Zhenhua RD., Futian, Shenzhen, China

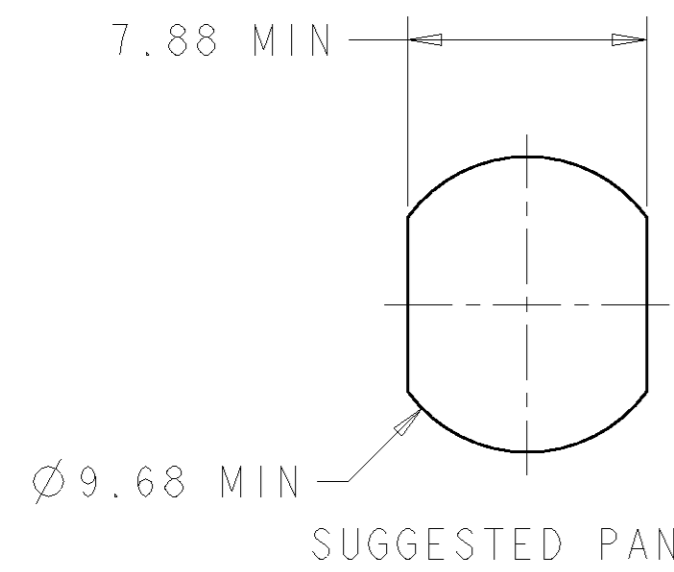


THIS DRAWING IS UNPUBLISHED. RELEASED FOR PUBLICATION 20
 © COPYRIGHT 20 BY TYCO ELECTRONICS CORPORATION. ALL RIGHTS RESERVED.

LOC	DIST	REVISIONS					
CE	00	P	LTR	DESCRIPTION	DATE	DWN	APVD
			A	RELEASE RoHS COMPLIANT PART	21APR2005	BB	SB



PC BOARD MOUNTING HOLE PATTERN



- 1 BULK PACKAGED.
- 2 MATERIAL:
 PROTECTIVE COVER: PVC, COLOR: RED, NON-FR
 HEX NUT: NICKEL PLATED BRASS
 LOCK WASHER: STAINLESS STEEL
 ADM BODY: NICKEL PLATED ZINC
 ALIGNMENT SLEEVE: PBT, COLOR: BLACK,
 UL94 V-0 RATED AT
 QUALIFYING THICKNESS

5504022-3
5504022-2
PART NUMBER

THIS DRAWING IS A CONTROLLED DOCUMENT FOR TYCO ELECTRONICS CORPORATION IT IS SUBJECT TO CHANGE AND THE CONTROLLING ENGINEERING ORGANIZATION SHOULD BE CONTACTED FOR THE LATEST REVISION.		DWN B. BRIGGS 21APR2005	Tyco Electronics Harrisburg, PA 17105-3608	
DIMENSIONS: mm		CHK S. BUCHTER 21APR2005	NAME ADM KIT, BAYONET	
TOLERANCES UNLESS OTHERWISE SPECIFIED: 0 PLC ± 1 PLC ± 2 PLC ±0.13 3 PLC ± 4 PLC ± ANGLES ± FINISH		APVD S. BUCHTER 21APR2005	PRODUCT SPEC -	
MATERIAL 2		APPLICATION SPEC -	SIZE A200779	CAGE CODE C-5504022
CUSTOMER DRAWING		WEIGHT -	DRAWING NO 5504022	RESTRICTED TO -
		SCALE 4:1	SHEET 1	OF 1
			REV A	