



Chipsmall Limited consists of a professional team with an average of over 10 year of expertise in the distribution of electronic components. Based in Hongkong, we have already established firm and mutual-benefit business relationships with customers from,Europe,America and south Asia,supplying obsolete and hard-to-find components to meet their specific needs.

With the principle of “Quality Parts,Customers Priority,Honest Operation,and Considerate Service”,our business mainly focus on the distribution of electronic components. Line cards we deal with include Microchip,ALPS,ROHM,Xilinx,Pulse,ON,Everlight and Freescale. Main products comprise IC,Modules,Potentiometer,IC Socket,Relay,Connector.Our parts cover such applications as commercial,industrial, and automotives areas.

We are looking forward to setting up business relationship with you and hope to provide you with the best service and solution. Let us make a better world for our industry!



Contact us

Tel: +86-755-8981 8866 Fax: +86-755-8427 6832

Email & Skype: info@chipsmall.com Web: www.chipsmall.com

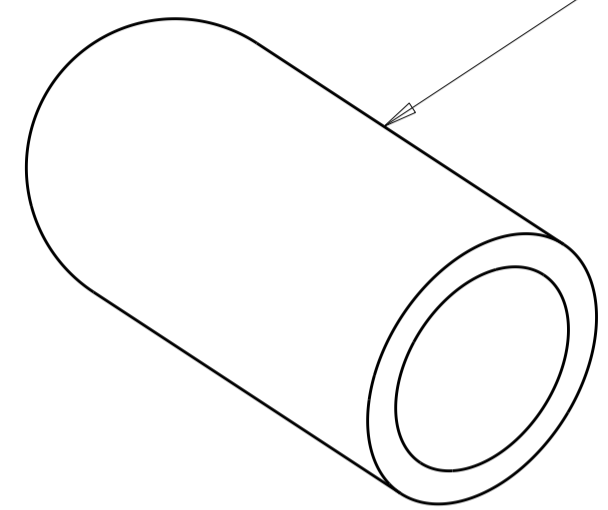
Address: A1208, Overseas Decoration Building, #122 Zhenhua RD., Futian, Shenzhen, China



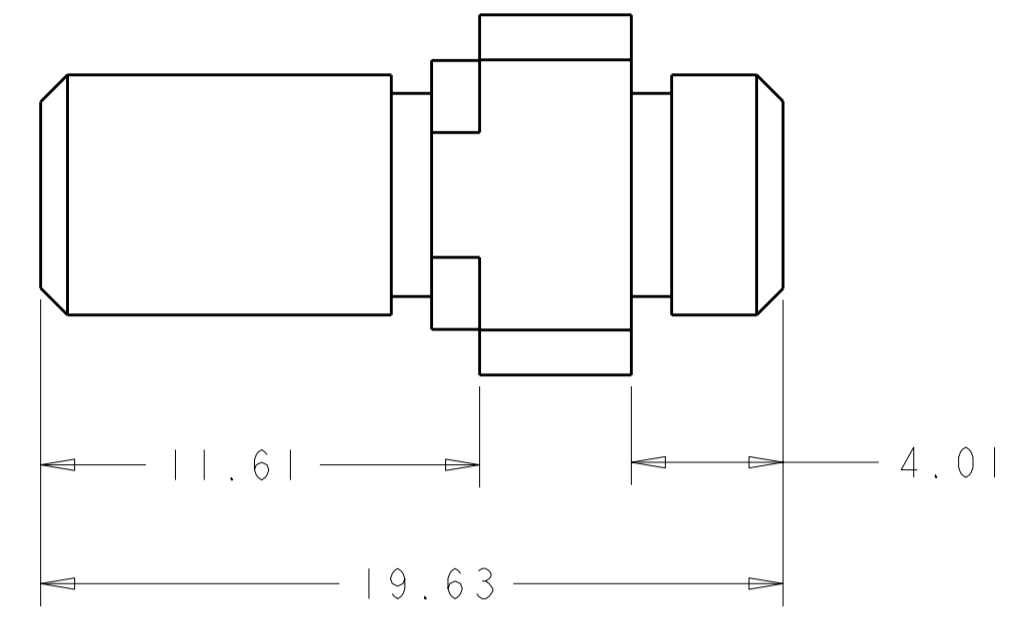
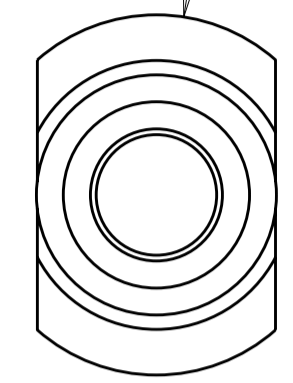
THIS DRAWING IS UNPUBLISHED. RELEASED FOR PUBLICATION 20
 © COPYRIGHT 20 BY - ALL RIGHTS RESERVED.

LOC	DIST	REVISIONS					
CE	00	P	LTR	DESCRIPTION	DATE	DWN	APVD
		B		REVISED PER ECR 11-022976	13NOV2011	DLF	LS

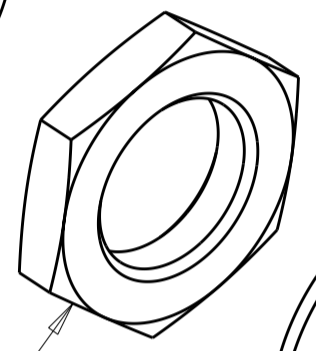
PROTECTIVE CAP



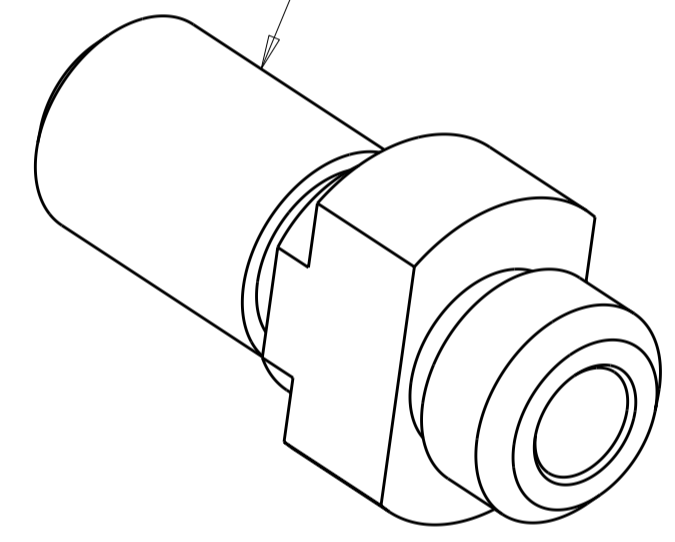
Ø 9.52



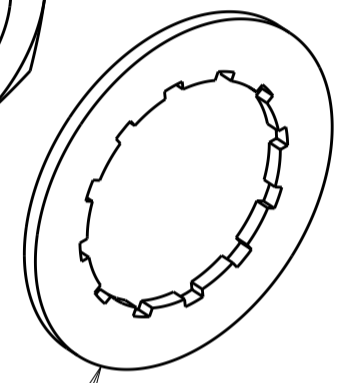
HEX NUT



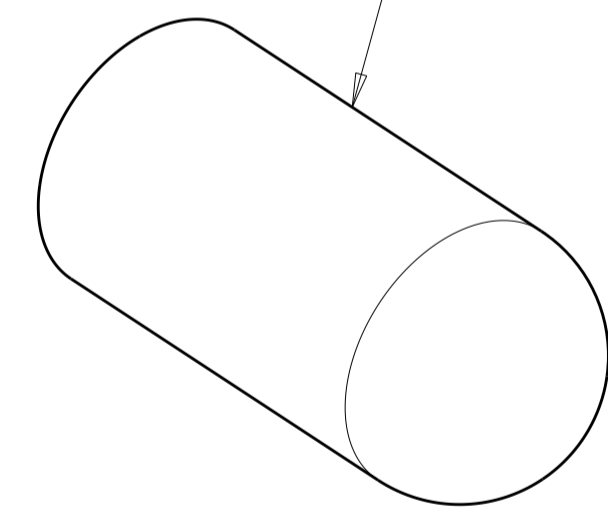
BULKHEAD ADAPTER



LOCK WASHER



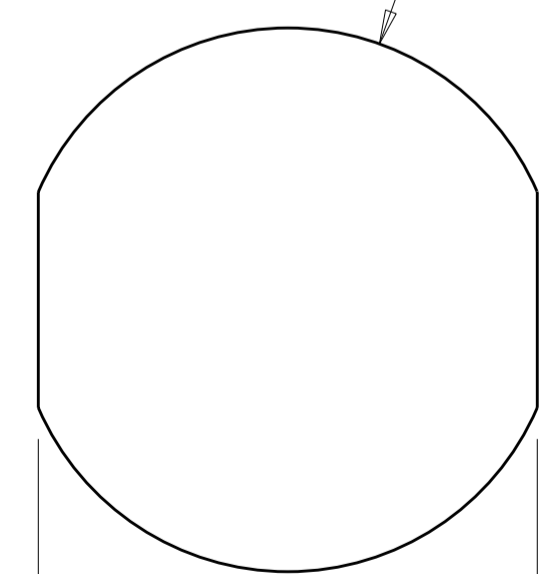
PROTECTIVE CAP



⚠ MATERIAL:
 PROTECTIVE CAP: VINYL, COLOR: RED
 HEX NUT: NICKEL PLATED BRASS
 HEX ADAPTER: NICKEL PLATED BRASS
 LOCK WASHER: STAINLESS STEEL

2. FOR USE WITH 5.29[0.208]
 MAXIMUM PANEL THICKNESS.

Ø 7.19



6.6
MIN

5504026-1
PART NUMBER

THIS DRAWING IS A CONTROLLED DOCUMENT.		DWN B. BRIGGS 08MAY2006	STE TE Connectivity	
DIMENSIONS: mm		CHK L. SAUERWEIN 08MAY2006		
TOLERANCES UNLESS OTHERWISE SPECIFIED:		APVD S. BUCHTER 08MAY2006	NAME BULKHEAD ASSEMBLY, FSMA ADAPTER	
0 PLC ± 1 PLC ± 2 PLC ± 3 PLC ± 4 PLC ± ANGLES ± FINISH		PRODUCT SPEC - APPLICATION SPEC -	SIZE A200779	DRAWING NO C-5504026
MATERIAL -		WEIGHT -	RESTRICTED TO -	CUSTOMER DRAWING
		SCALE 5:1	SHEET 1	REV B