



Chipsmall Limited consists of a professional team with an average of over 10 year of expertise in the distribution of electronic components. Based in Hongkong, we have already established firm and mutual-benefit business relationships with customers from,Europe,America and south Asia,supplying obsolete and hard-to-find components to meet their specific needs.

With the principle of “Quality Parts,Customers Priority,Honest Operation,and Considerate Service”,our business mainly focus on the distribution of electronic components. Line cards we deal with include Microchip,ALPS,ROHM,Xilinx,Pulse,ON,Everlight and Freescale. Main products comprise IC,Modules,Potentiometer,IC Socket,Relay,Connector.Our parts cover such applications as commercial,industrial, and automotives areas.

We are looking forward to setting up business relationship with you and hope to provide you with the best service and solution. Let us make a better world for our industry!



Contact us

Tel: +86-755-8981 8866 Fax: +86-755-8427 6832

Email & Skype: info@chipsmall.com Web: www.chipsmall.com

Address: A1208, Overseas Decoration Building, #122 Zhenhua RD., Futian, Shenzhen, China

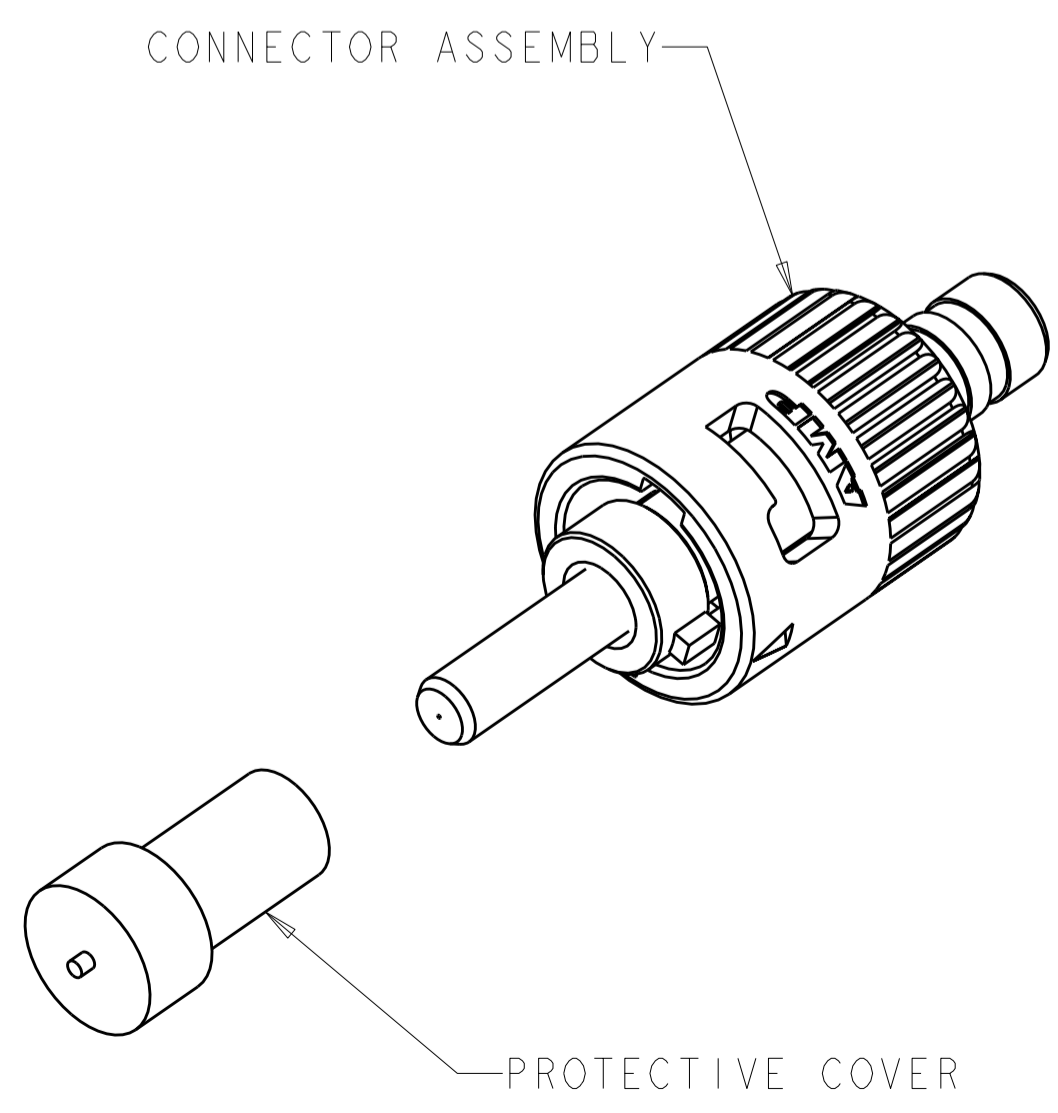
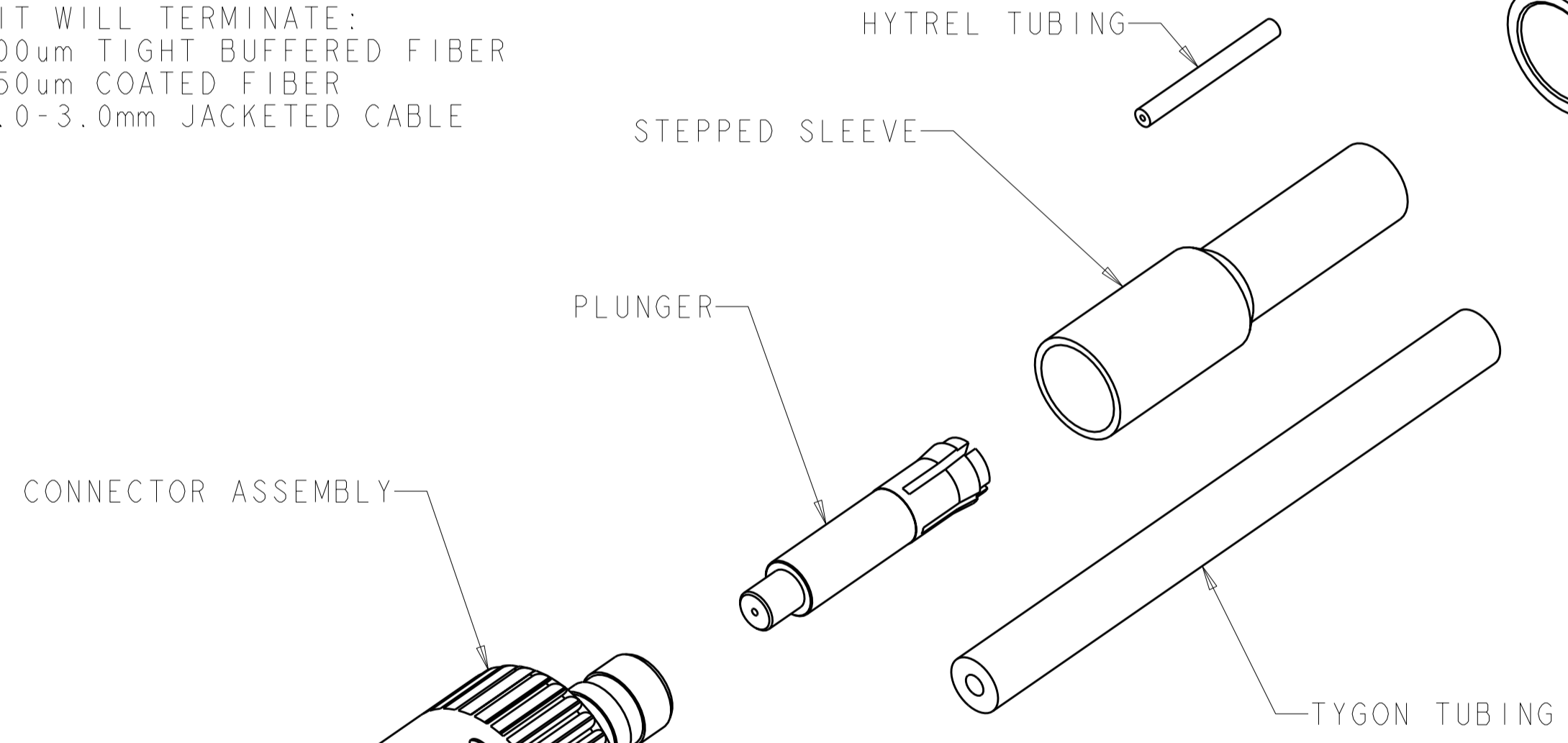
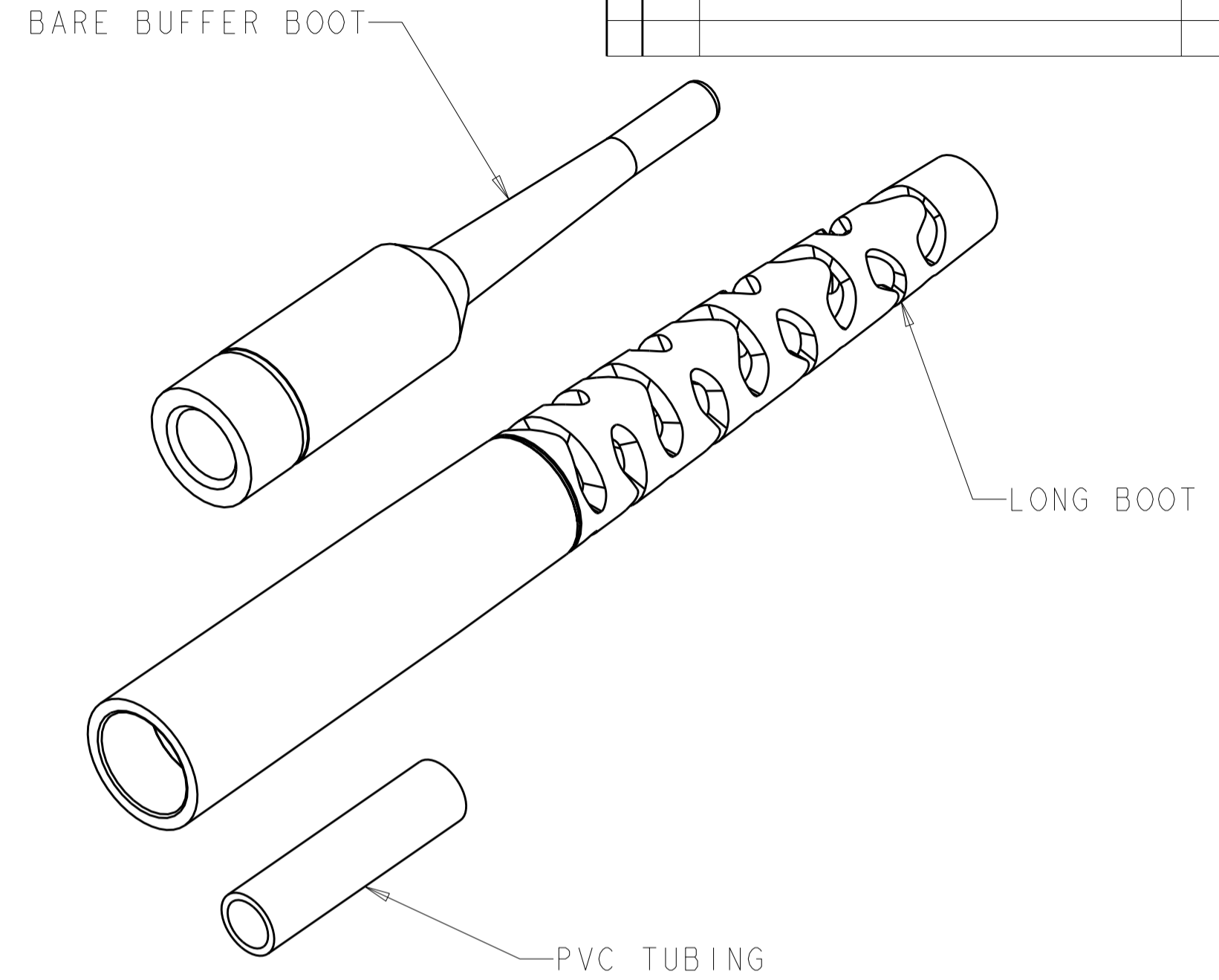


THIS DRAWING IS UNPUBLISHED. RELEASED FOR PUBLICATION 20
 © COPYRIGHT 20 BY TYCO ELECTRONICS CORPORATION. ALL RIGHTS RESERVED.

LOC	DIST	REVISIONS			
P	LTR	DESCRIPTION	DATE	DWN	APVD
CE	00	A	RELEASE TO ACTIVE	08JUN2006	BB LS
		AI	ADD NOTE 2	12MAR2009	BB SB

⚠ MATERIAL:
 CONNECTOR ASSY
 REAR BODY: ALUMINUM ALLOY
 PLUNGER: ALUMINUM ALLOY
 FERRULE: STAINLESS STEEL
 COUPLING NUT: ZINC, NICKEL PLATED
 INTERNAL COMPONENTS: RUBBER, COLOR: BLACK
 SPRING: STAINLESS STEEL
 FRONT PROTECTIVE COVER: LDPE, COLOR: BLACK, NON-FR
 CRIMP EYELET: COPPER, NICKEL PLATED
 POLYMER TUBING: TYGON, COLOR: CLEAR
 HYTREL, COLOR: WHITE
 PVC, COLOR: BLACK
 STRAIN RELIEF: POLYOLEFIN ELASTOMER, COLOR: BLACK, NON-FR
 BOOT: POLYOLEFIN ELASTOMER, COLOR: BLACK*
 *UL94 V-0 RATED AT QUALIFYING THICKNESS.

- INSTRUCTION SHEET: 408-9860 AVAILABLE FOR DOWNLOAD AT
www.tycoelectronics.com/documents OR
www.ampnetconnect.com/foguide.
- THIS KIT WILL TERMINATE:
 900um TIGHT BUFFERED FIBER
 250um COATED FIBER
 2.0-3.0mm JACKETED CABLE



125um	250um/0.8-1.0mm	5504034-1
FIBER SIZE	BUFFER SIZE	PART NUMBER

THIS DRAWING IS A CONTROLLED DOCUMENT FOR TYCO ELECTRONICS CORPORATION IT IS SUBJECT TO CHANGE AND THE CONTROLLING ENGINEERING ORGANIZATION SHOULD BE CONTACTED FOR THE LATEST REVISION.		DWN B. BRIGGS 20 JUN 2005	Tyco Electronics Harrisburg, PA 17105-3608	
DIMENSIONS: mm		CHK L. SAUERWEIN 20 JUN 2005	NAME CONNECTOR KIT, XTC, STAINLESS STEEL, 2.5mm BAYONET, MULTIMODE	
TOLERANCES UNLESS OTHERWISE SPECIFIED:		APVD S. BUCHTER 20 JUN 2005	RESTRICTED TO	
0 PLC ± 1 PLC ± 2 PLC ± 3 PLC ± 4 PLC ± ANGLES ± FINISH		PRODUCT SPEC - APPLICATION SPEC -	SIZE A200779	DRAWING NO C-5504034
MATERIAL ⚠ -		WEIGHT -	SCALE 4:1 SHEET 1 OF 1 REV AI	
CUSTOMER DRAWING				