



Chipsmall Limited consists of a professional team with an average of over 10 year of expertise in the distribution of electronic components. Based in Hongkong, we have already established firm and mutual-benefit business relationships with customers from,Europe,America and south Asia,supplying obsolete and hard-to-find components to meet their specific needs.

With the principle of "Quality Parts,Customers Priority,Honest Operation,and Considerate Service",our business mainly focus on the distribution of electronic components. Line cards we deal with include Microchip,ALPS,ROHM,Xilinx,Pulse,ON,Everlight and Freescale. Main products comprise IC,Modules,Potentiometer,IC Socket,Relay,Connector.Our parts cover such applications as commercial,industrial, and automotives areas.

We are looking forward to setting up business relationship with you and hope to provide you with the best service and solution. Let us make a better world for our industry!



Contact us

Tel: +86-755-8981 8866 Fax: +86-755-8427 6832

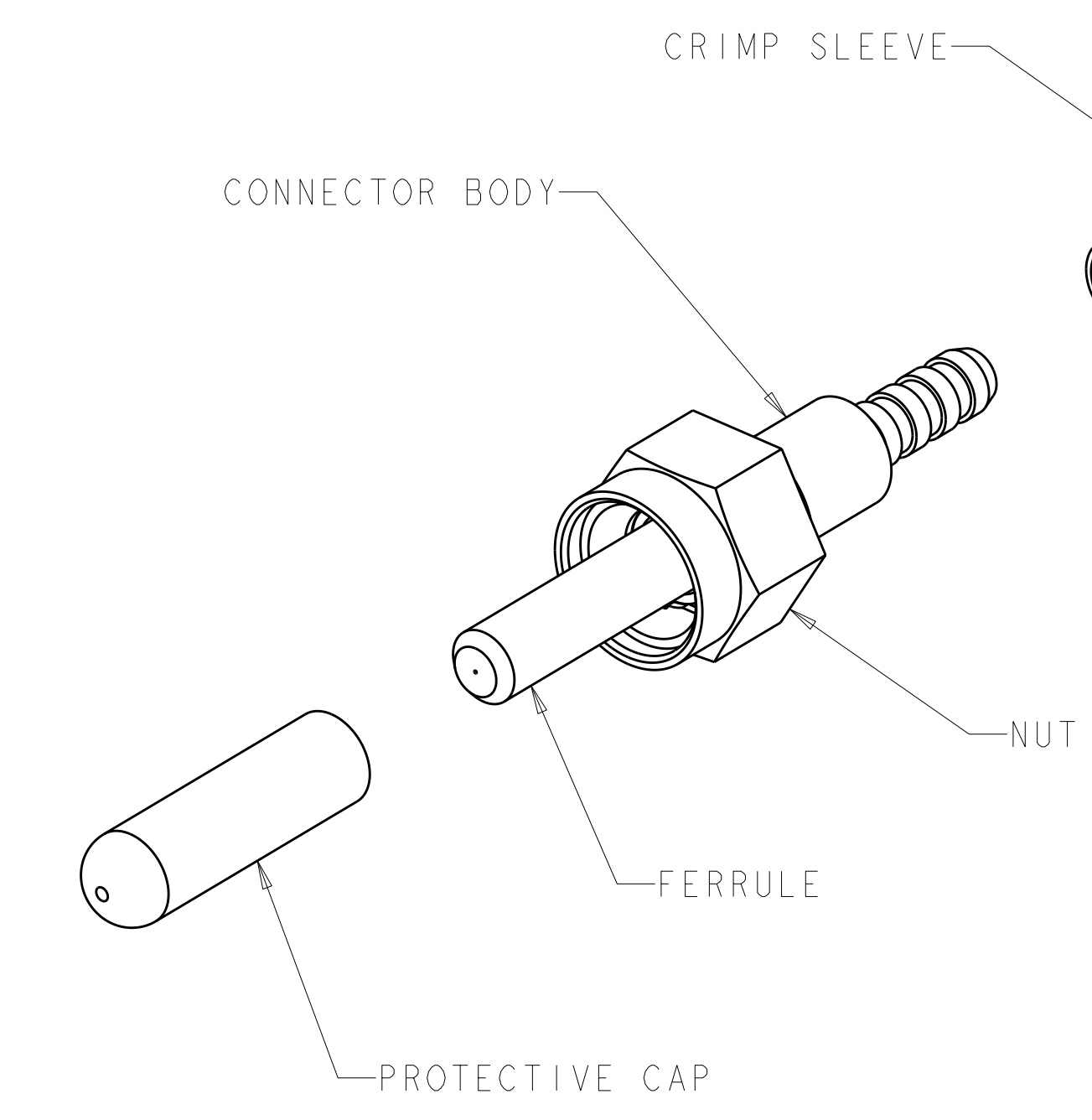
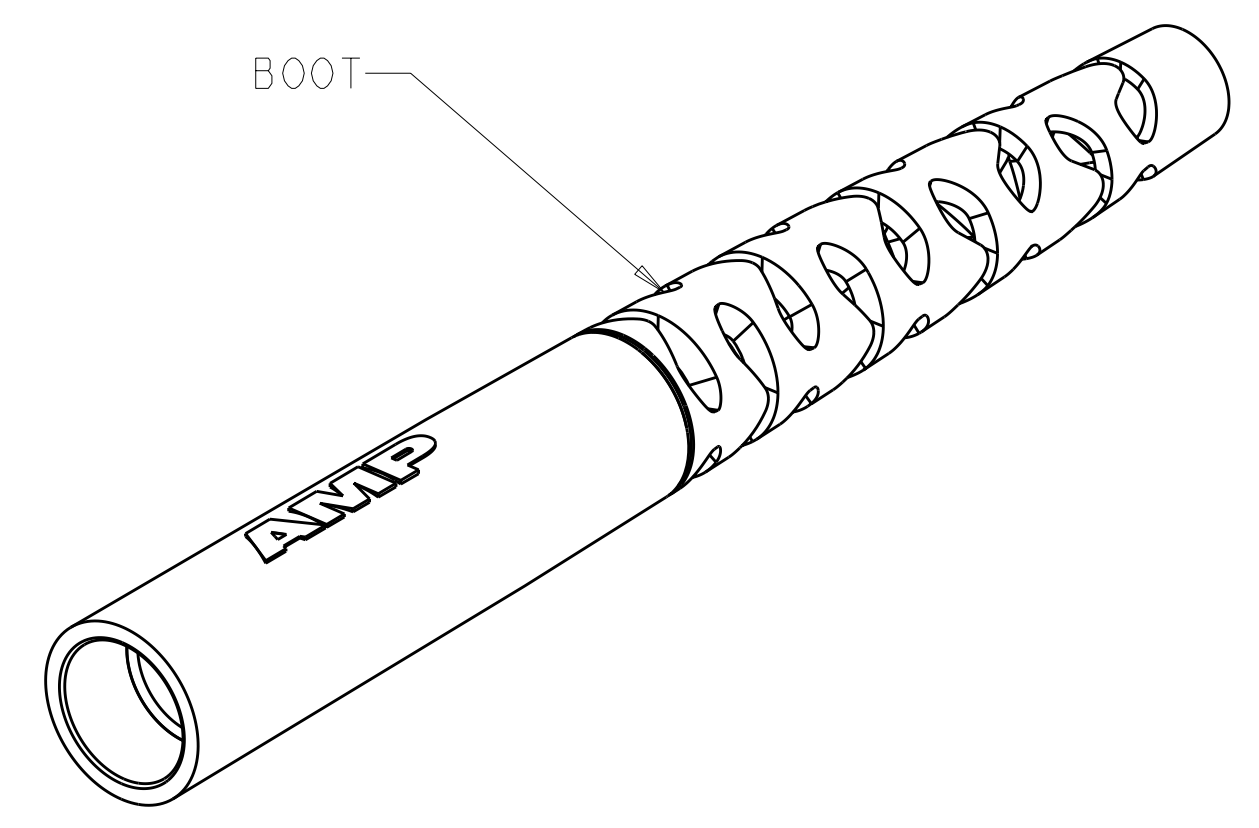
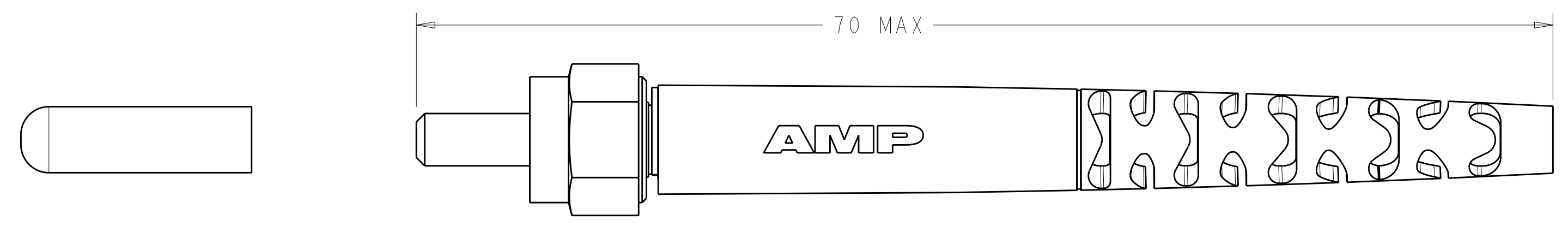
Email & Skype: info@chipsmall.com Web: www.chipsmall.com

Address: A1208, Overseas Decoration Building, #122 Zhenhua RD., Futian, Shenzhen, China



THIS DRAWING IS UNPUBLISHED. RELEASED FOR PUBLICATION 20
 © COPYRIGHT 20 ALL RIGHTS RESERVED.

LOC	DIST	REVISIONS			
P	LTR	DESCRIPTION	DATE	DWN	APVD
CE	00	CI	REVISE PER ECO-11-005139	29APR2011	RK HMR



△ MATERIAL:
 CONNECTOR ASSEMBLY:
 FERRULE: STAINLESS STEEL
 REAR BODY: BRASS, NICKEL PLATED
 COUPLING NUT: BRASS, NICKEL PLATED
 CRIMP EYELET: BRASS, NICKEL PLATED
 BOOT: POLYOLEFIN ELASTOMER, COLOR: BLACK*
 PROTECTIVE CAP: VINYL, COLOR: RED
 *UL94 V-0 RATED AT QUALIFYING THICKNESS.

2. COUPLING NUT NORMAL TIGHTENING TORQUE RANGE IS 7.0 TO 10.0 in-lbf. DO NOT EXCEED 20 in-lbf.

△ 3 CRIMP SLEEVE AND BOOT NOT SUPPLIED.

△ 3	1.48mm	4-5504566-3
	635um	4-5504566-2
	.042 in	3-5504566-1
	.039 in	3-5504566-0
	641um	2-5504566-8
	336um	1-5504566-4
	231um	5504566-7
	140um	5504566-2
	125um	5504566-1
	FIBER HOLE SIZE	PART NUMBER

THIS DRAWING IS A CONTROLLED DOCUMENT.		DWN B. BRIGGS 16 JUN 2005	 TE Connectivity
DIMENSIONS: mm		CHK L. SAUERWEIN 16 JUN 2005	
TOLERANCES UNLESS OTHERWISE SPECIFIED:		APVD S. BUCHTER 16 JUN 2005	
0 PLC ± 1 PLC ± 2 PLC ± 3 PLC ± 4 PLC ± ANGLES ± FINISH		PRODUCT SPEC - APPLICATION SPEC - WEIGHT -	
MATERIAL		NAME CONNECTOR KIT, SMA 905, STAINLESS STEEL FRONT BODY, BRASS REAR BODY, 3.1mm CABLE	
△ 1		SIZE A200779	
CUSTOMER DRAWING		DRAWING NO C-5504566	
SCALE 4:1		RESTRICTED TO -	
SHEET 1 OF 1		REV C1	