



Chipsmall Limited consists of a professional team with an average of over 10 year of expertise in the distribution of electronic components. Based in Hongkong, we have already established firm and mutual-benefit business relationships with customers from,Europe,America and south Asia,supplying obsolete and hard-to-find components to meet their specific needs.

With the principle of "Quality Parts,Customers Priority,Honest Operation,and Considerate Service",our business mainly focus on the distribution of electronic components. Line cards we deal with include Microchip,ALPS,ROHM,Xilinx,Pulse,ON,Everlight and Freescale. Main products comprise IC,Modules,Potentiometer,IC Socket,Relay,Connector.Our parts cover such applications as commercial,industrial, and automotives areas.

We are looking forward to setting up business relationship with you and hope to provide you with the best service and solution. Let us make a better world for our industry!



Contact us

Tel: +86-755-8981 8866 Fax: +86-755-8427 6832

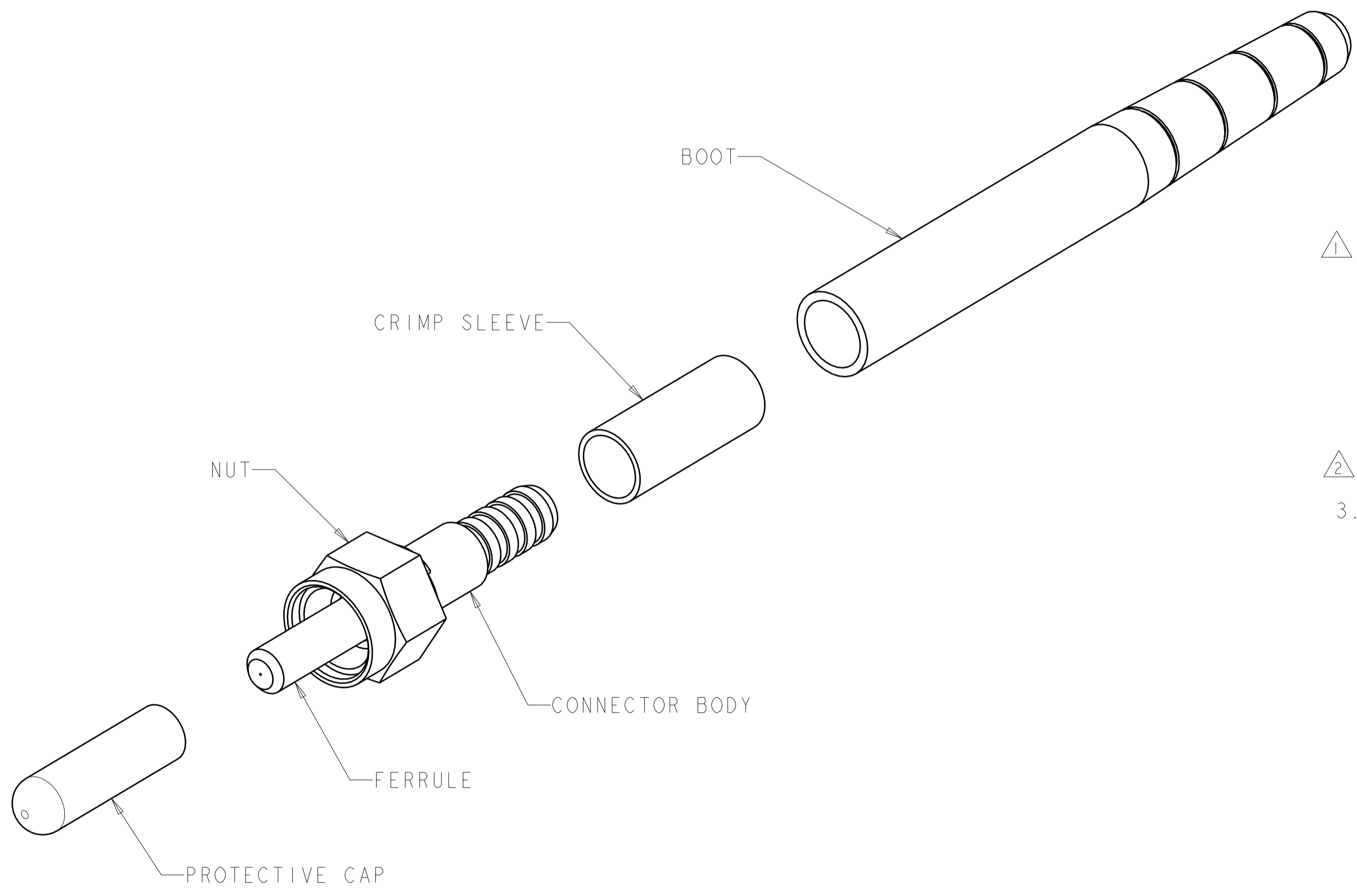
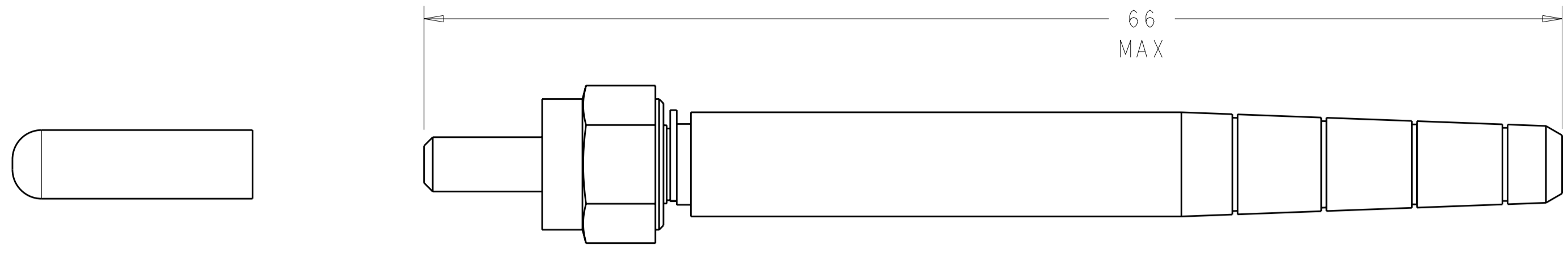
Email & Skype: info@chipsmall.com Web: www.chipsmall.com

Address: A1208, Overseas Decoration Building, #122 Zhenhua RD., Futian, Shenzhen, China



THIS DRAWING IS UNPUBLISHED. RELEASED FOR PUBLICATION 20
 © COPYRIGHT 20 BY TYCO ELECTRONICS CORPORATION. ALL RIGHTS RESERVED.

LOC	DIST	REVISIONS			
P	LTR	DESCRIPTION	DATE	DWN	APVD
		I	NEW PRODUCT RELEASE	05MAY2006	BB LS
		A	RELEASED PER ECR-07-004102	16MAR2007	JWD LS



△1 MATERIAL CONNECTOR ASSEMBLY:
 REAR BODY: NICKEL PLATED BRASS
 FERRULE: STAINLESS STEEL
 COUPLING NUT: NICKEL PLATED BRASS
 PROTECTIVE CAP: VINYL, COLOR: RED
 CRIMP EYELET: NICKEL PLATED BRASS
 STRAIN RELIEF: POLYOLEFIN ELASTOMER, COLOR: BLACK*
 *UL94 V-0 RATED AT QUALIFYING THICKNESS.

△2 BULK PACKAGE.
 3. COUPLING NUT NORMAL TIGHTENING TORQUE RANGE IS 7.0 TO 10.0 in-lbf. DO NOT EXCEED 20 in-lbf.

DESCRIPTION	FIBER HOLE SIZE	PART NUMBER
△2 BOOT NOT INCLUDED	140um	4-5504567-1
STANDARD KIT	720um	3-5504567-9
STANDARD KIT	.082 in	3-5504567-3
STANDARD KIT	.042 in	2-5504567-9
STANDARD KIT	140um	5504567-2
STANDARD KIT	125um	5504567-1

THIS DRAWING IS A CONTROLLED DOCUMENT FOR TYCO ELECTRONICS CORPORATION IT IS SUBJECT TO CHANGE AND THE CONTROLLING ENGINEERING ORGANIZATION SHOULD BE CONTACTED FOR THE LATEST REVISION.		DWN B. BRIGGS 05MAY2006	Tyco Electronics Harrisburg, PA 17105-3608
DIMENSIONS: mm		CHK L. SAUERWEIN 05MAY2006	
TOLERANCES UNLESS OTHERWISE SPECIFIED: 0 PLC ± 1 PLC ± 2 PLC ± 3 PLC ± 4 PLC ± ANGLES ± FINISH		APVD S. BUCHTER 05MAY2006	NAME CONNECTOR KIT, SMA 905 STAINLESS STEEL FRONT BODY, BRASS REAR BODY, 4.3mm CABLE
MATERIAL △1 -		PRODUCT SPEC - APPLICATION SPEC - WEIGHT -	SIZE A200779
		CUSTOMER DRAWING	SCALE 4:1 SHEET 1 OF 1 REV A