



Chipsmall Limited consists of a professional team with an average of over 10 year of expertise in the distribution of electronic components. Based in Hongkong, we have already established firm and mutual-benefit business relationships with customers from,Europe,America and south Asia,supplying obsolete and hard-to-find components to meet their specific needs.

With the principle of “Quality Parts,Customers Priority,Honest Operation,and Considerate Service”,our business mainly focus on the distribution of electronic components. Line cards we deal with include Microchip,ALPS,ROHM,Xilinx,Pulse,ON,Everlight and Freescale. Main products comprise IC,Modules,Potentiometer,IC Socket,Relay,Connector.Our parts cover such applications as commercial,industrial, and automotives areas.

We are looking forward to setting up business relationship with you and hope to provide you with the best service and solution. Let us make a better world for our industry!



## Contact us

Tel: +86-755-8981 8866 Fax: +86-755-8427 6832

Email & Skype: info@chipsmall.com Web: www.chipsmall.com

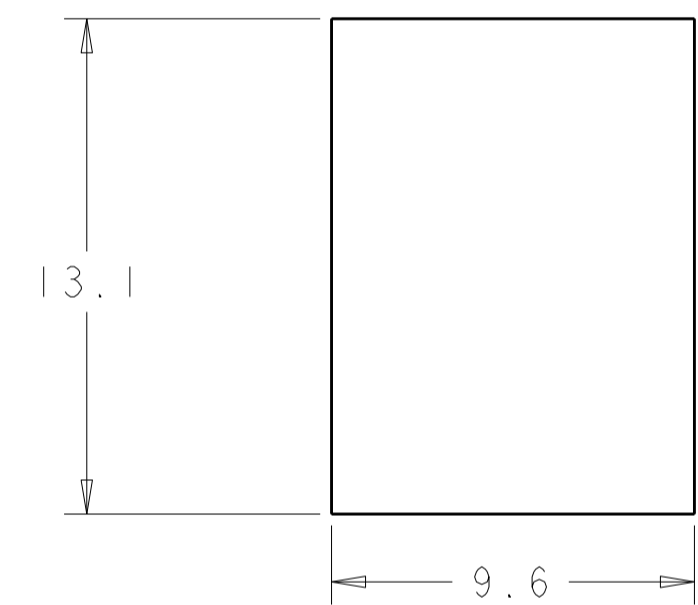
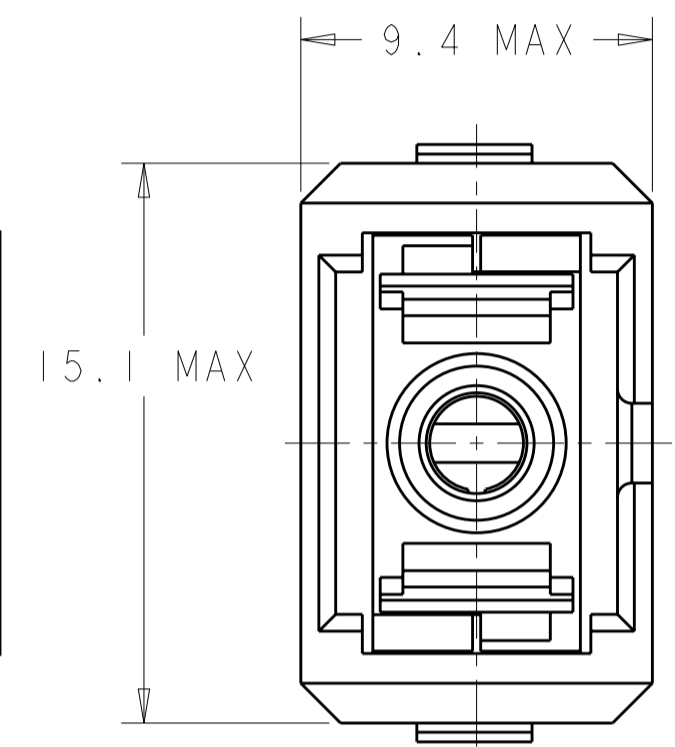
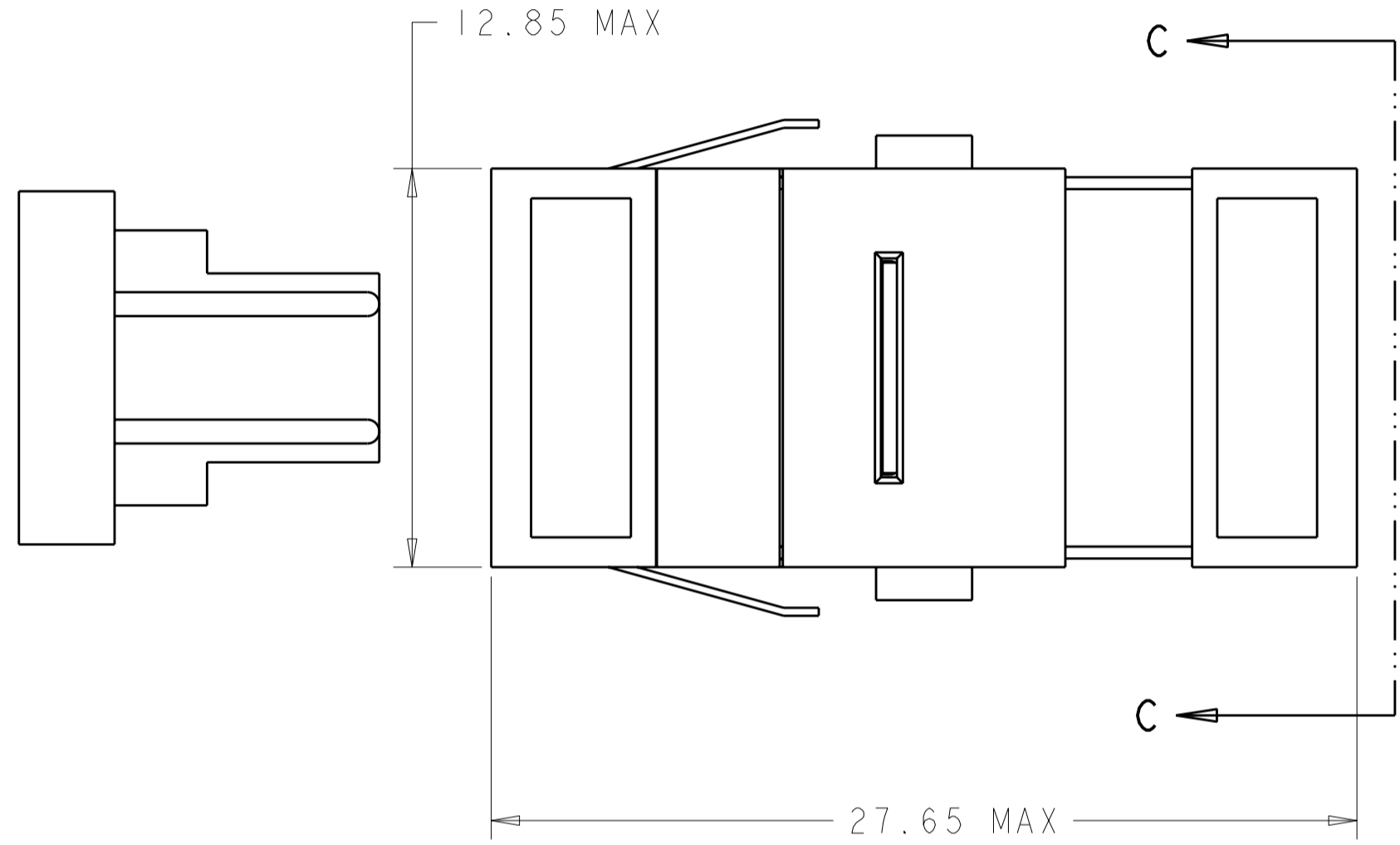
Address: A1208, Overseas Decoration Building, #122 Zhenhua RD., Futian, Shenzhen, China



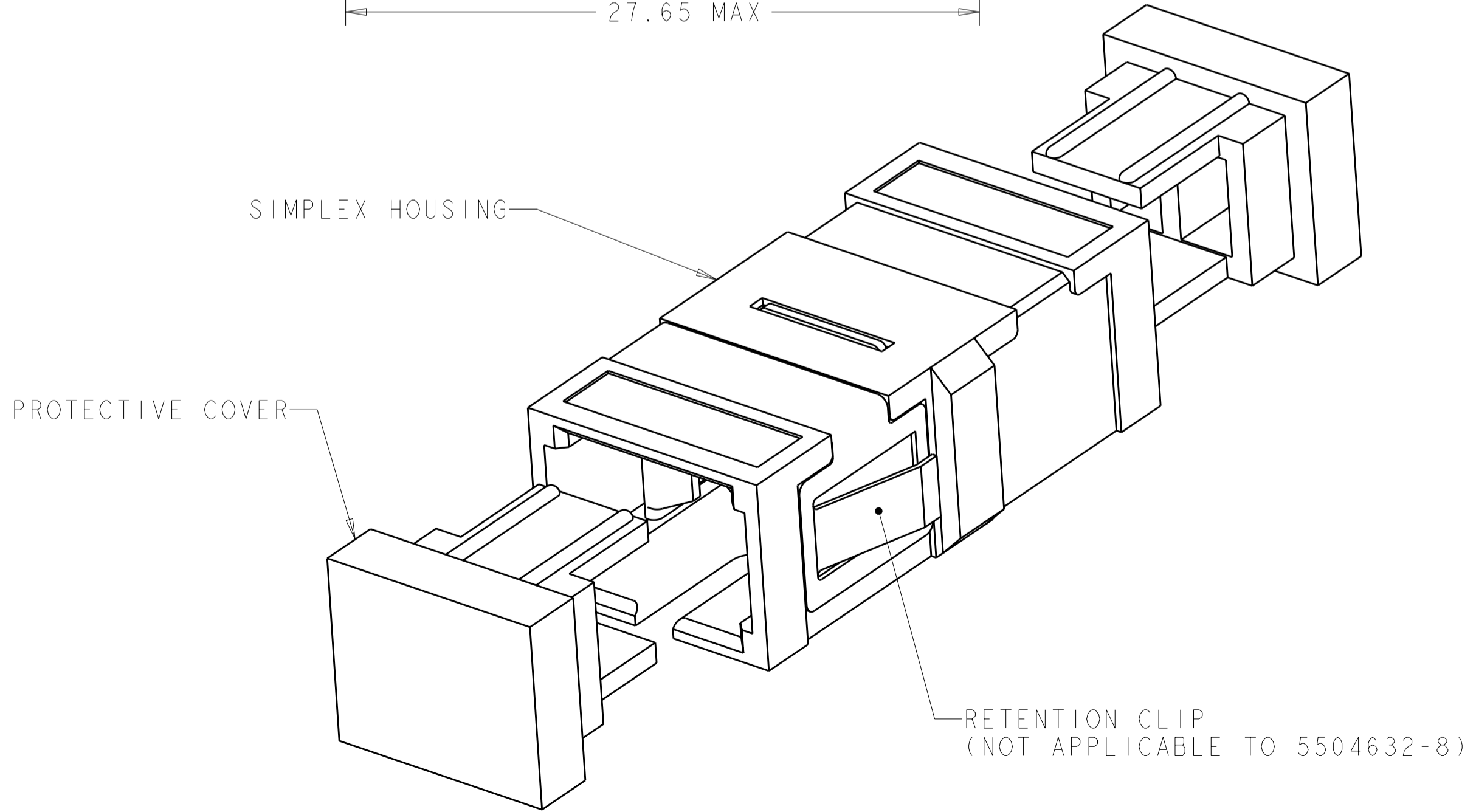
THIS DRAWING IS UNPUBLISHED. RELEASED FOR PUBLICATION 20  
 © COPYRIGHT 20 BY TYCO ELECTRONICS CORPORATION. ALL INTERNATIONAL RIGHTS RESERVED.

LOC	DIST	REVISIONS			
P	LTR	DESCRIPTION	DATE	DWN	APVD
	D	REVISE PER ECR-09-012266	04JUN2009	KG	SB
	D1	REVISE PER ECR-09-023245	28OCT2009	IL	CT

⚠ MATERIAL:  
 HOUSING: PBT-GF30, SEE DASH NUMBERS FOR COLOR.\*  
 RETAINER: PEI-GF30, COLOR: BLACK.\*  
 RETENTION CLIP: STAINLESS STEEL (NOT APPLICABLE TO 5504632-8).  
 ALIGNMENT SLEEVE: SEE DASH NUMBERS  
 PROTECTIVE COVER: TPE, COLOR: BLACK.\*  
 \*UL94 V-0 RATED AT QUALIFYING THICKNESS.



SUGGESTED PANEL CUTOUT  
 MAX PANEL THICKNESS 1.7



CERAMIC	GREEN	5504632-8
CERAMIC (LOW LOSS)	GREEN	5504632-7
CERAMIC	AQUA	5504632-6
CERAMIC	GREEN	5504632-5
CERAMIC	BLUE	5504632-4
METAL	BLUE	5504632-3
CERAMIC	BLACK	5504632-2
METAL	BLACK	5504632-1
ALIGNMENT SLEEVE	COLOR	PART NUMBER

<small>THIS DRAWING IS A CONTROLLED DOCUMENT FOR TYCO ELECTRONICS CORPORATION. IT IS SUBJECT TO CHANGE AND THE CONTROLLING ENGINEERING ORGANIZATION SHOULD BE CONTACTED FOR THE LATEST REVISION.</small>		DWN B. BRIGGS 16MAY2005 CHK S. MILLER 16MAY2005 APVD S. BUCHTER 16MAY2005	Tyco Electronics Corporation Shanghai, China
DIMENSIONS: mm 	TOLERANCES UNLESS OTHERWISE SPECIFIED: 0 PLC ± 1 PLC ±0.1 2 PLC ±0.05 3 PLC ± 4 PLC ± ANGLES ± FINISH	PRODUCT SPEC APPLICATION SPEC WEIGHT	NAME RECEPTACLE ASSEMBLY, SC TO SC SIZE A2 CAGE CODE 00779 DRAWING NO. 5504632 RESTRICTED TO
MATERIAL 		CUSTOMER DRAWING	SCALE 5:1 SHEET 1 OF 1 REV D1