



Chipsmall Limited consists of a professional team with an average of over 10 year of expertise in the distribution of electronic components. Based in Hongkong, we have already established firm and mutual-benefit business relationships with customers from,Europe,America and south Asia,supplying obsolete and hard-to-find components to meet their specific needs.

With the principle of "Quality Parts,Customers Priority,Honest Operation,and Considerate Service",our business mainly focus on the distribution of electronic components. Line cards we deal with include Microchip,ALPS,ROHM,Xilinx,Pulse,ON,Everlight and Freescale. Main products comprise IC,Modules,Potentiometer,IC Socket,Relay,Connector.Our parts cover such applications as commercial,industrial, and automotives areas.

We are looking forward to setting up business relationship with you and hope to provide you with the best service and solution. Let us make a better world for our industry!



Contact us

Tel: +86-755-8981 8866 Fax: +86-755-8427 6832

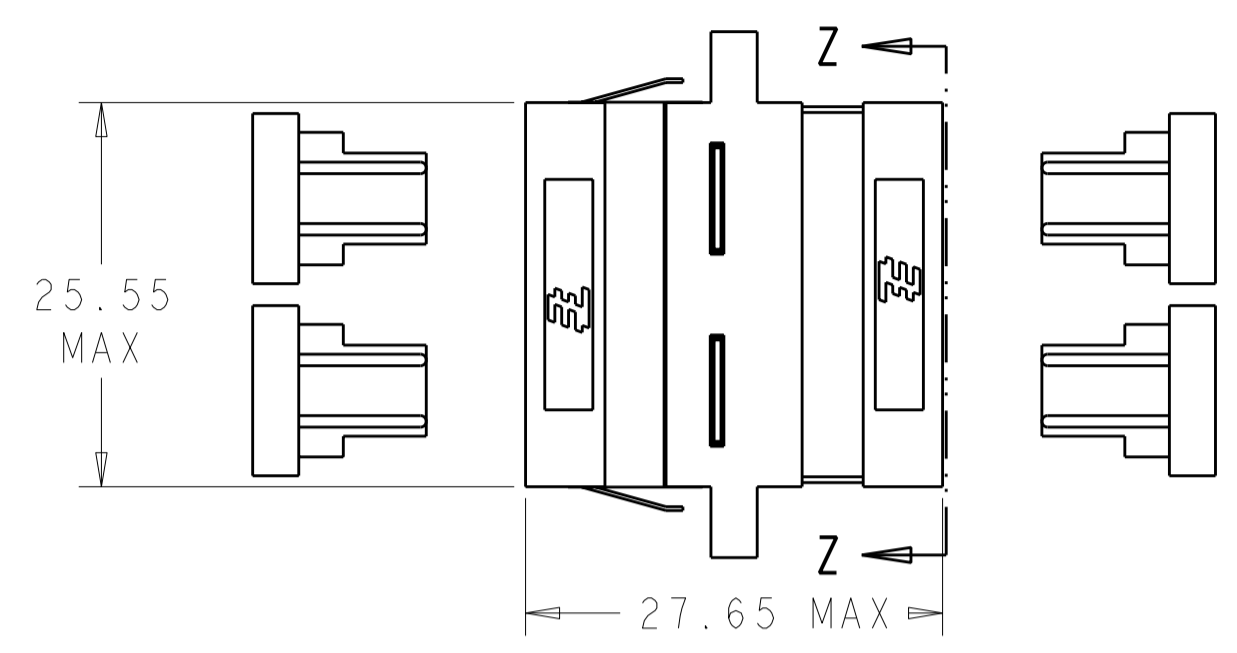
Email & Skype: info@chipsmall.com Web: www.chipsmall.com

Address: A1208, Overseas Decoration Building, #122 Zhenhua RD., Futian, Shenzhen, China

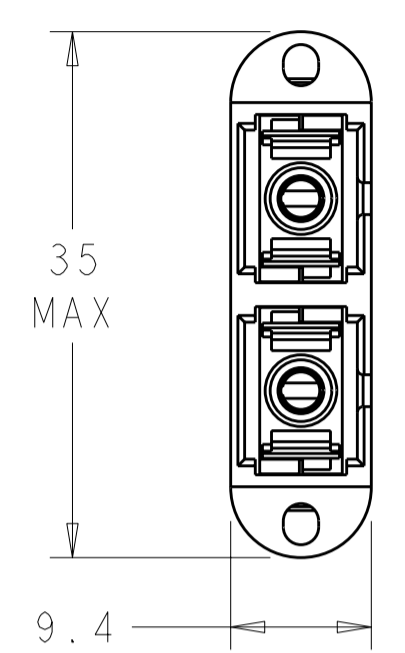


THIS DRAWING IS UNPUBLISHED. RELEASED FOR PUBLICATION 20
 © COPYRIGHT 20 ALL RIGHTS RESERVED.

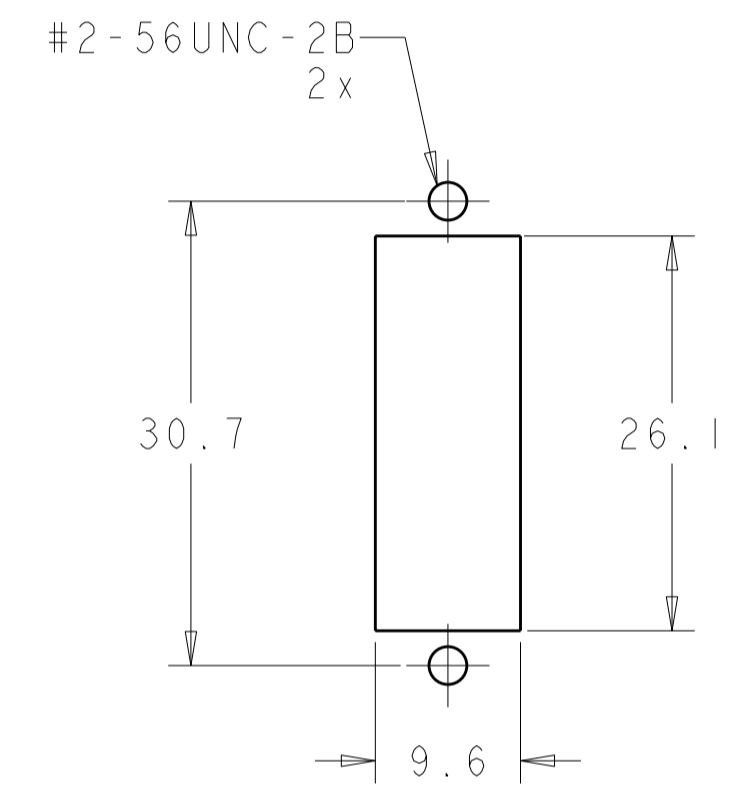
REVISIONS							
LOC	DIST	P	LTR	DESCRIPTION	DATE	DWN	APVD
HG	-		C3	REVISED PER ECO-11-005140	16APR2011	RK	HMR



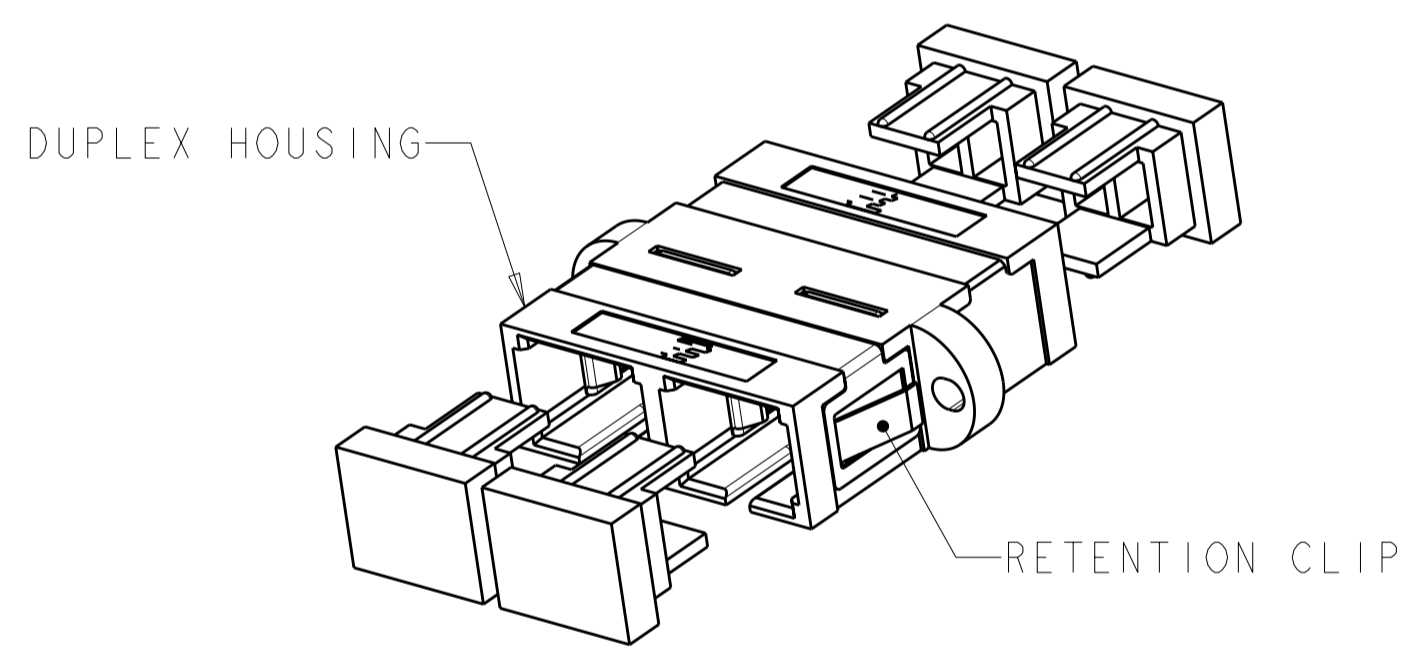
SCALE 2:1



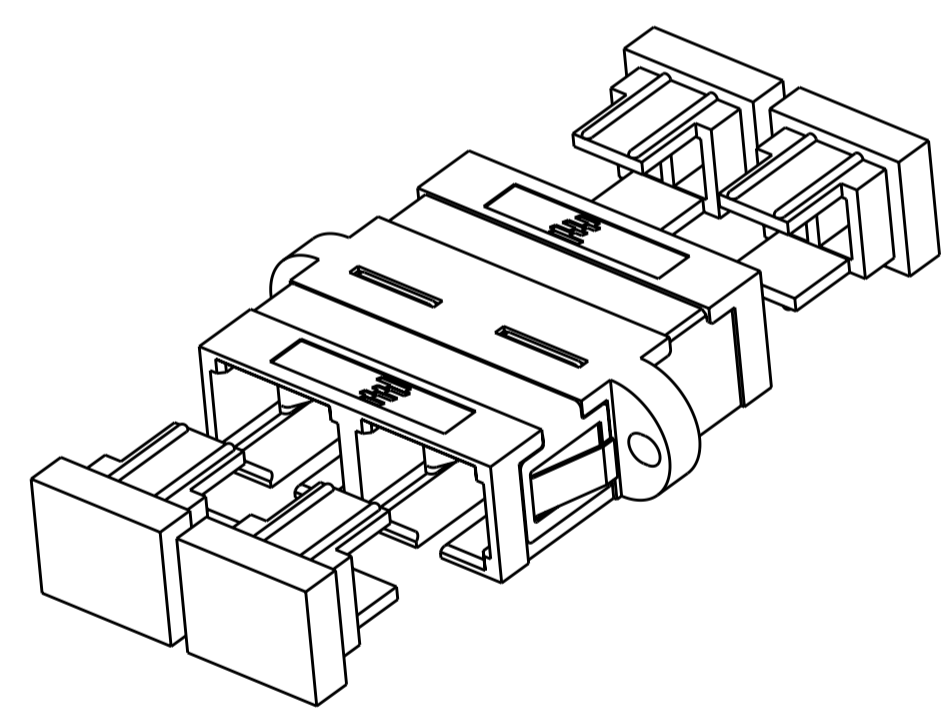
SECTION Z-Z



SCALE 2:1
 SUGGESTED PANEL CUTOUT
 MAX PANEL THICKNESS 1.7



5504640-1/-2/-3/-4/-5/-6
 (WITHOUT TE LOGO)



5504640-7/-8
 (WITH TE LOGO)

1 MATERIAL:
 HOUSING: PBT-GF30, SEE DASH NUMBERS FOR COLOR.*
 RETAINER: PEI-GF30, COLOR: BLACK.*
 RETENTION CLIP: STAINLESS STEEL.
 ALIGNMENT SLEEVE: METAL.
 PROTECTIVE COVER: TPE, COLOR: BLACK.*
 *UL94 V-0 RATED AT QUALIFYING THICKNESS.

2 BULK PACKAGE.

NONE	LT. ALMOND	5504640-8
RETENTION CLIP	BEIGE	5504640-7
RETENTION CLIP	AQUA	5504640-6
RETENTION CLIP	BLACK	5504640-4
NONE	LT ALMOND	5504640-3
RETENTION CLIP	BEIGE	5504640-2
RETENTION CLIP	BEIGE	5504640-1
INCLUDED HARDWARE	COLOR	PART NUMBER

THIS DRAWING IS A CONTROLLED DOCUMENT.		DWN B. BRIGGS 16MAY2005	TE Connectivity	
DIMENSIONS: mm		CHK S. MILLER 16MAY2005		
TOLERANCES UNLESS OTHERWISE SPECIFIED:		APVD S. BUCHTER 16MAY2005	NAME RECEPTACLE ASSEMBLY, DUPLEX, SC TO SC, MULTIMODE	
0 PLC ± 1 PLC ±0.1 2 PLC ±0.05 3 PLC ± 4 PLC ± ANGLES ± FINISH ±		PRODUCT SPEC -	SIZE A2	
MATERIAL		APPLICATION SPEC -	CAGE CODE 200779	DRAWING NO 5504640
1		WEIGHT -	RESTRICTED TO -	SCALE 4:1
CUSTOMER DRAWING		SHEET 1 OF 1		REV C3