



Chipsmall Limited consists of a professional team with an average of over 10 year of expertise in the distribution of electronic components. Based in Hongkong, we have already established firm and mutual-benefit business relationships with customers from,Europe,America and south Asia,supplying obsolete and hard-to-find components to meet their specific needs.

With the principle of “Quality Parts,Customers Priority,Honest Operation,and Considerate Service”,our business mainly focus on the distribution of electronic components. Line cards we deal with include Microchip,ALPS,ROHM,Xilinx,Pulse,ON,Everlight and Freescale. Main products comprise IC,Modules,Potentiometer,IC Socket,Relay,Connector.Our parts cover such applications as commercial,industrial, and automotives areas.

We are looking forward to setting up business relationship with you and hope to provide you with the best service and solution. Let us make a better world for our industry!



Contact us

Tel: +86-755-8981 8866 Fax: +86-755-8427 6832

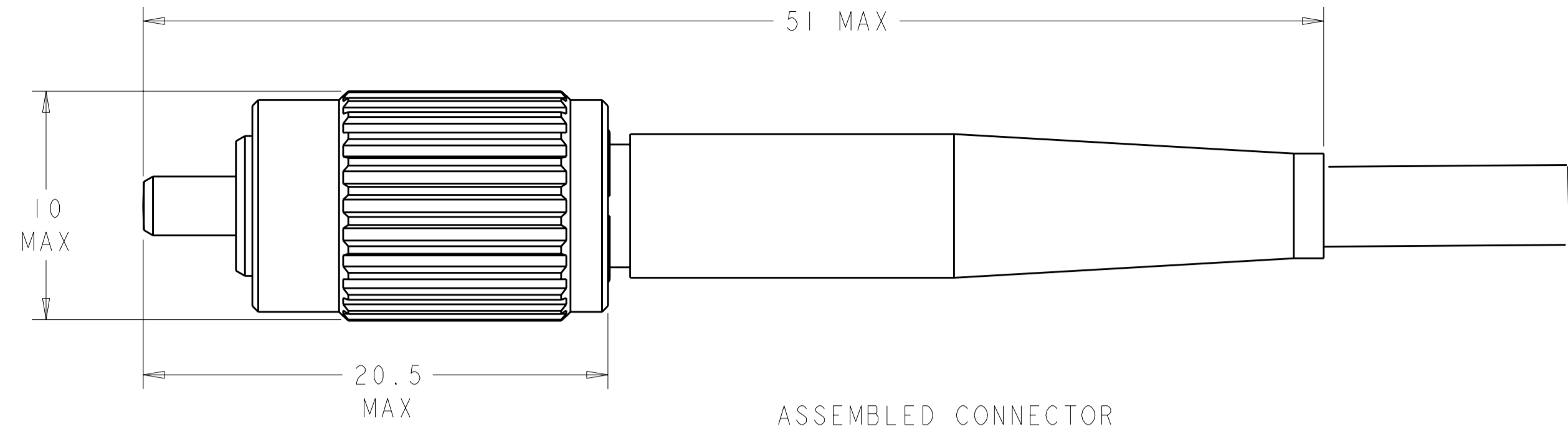
Email & Skype: info@chipsmall.com Web: www.chipsmall.com

Address: A1208, Overseas Decoration Building, #122 Zhenhua RD., Futian, Shenzhen, China



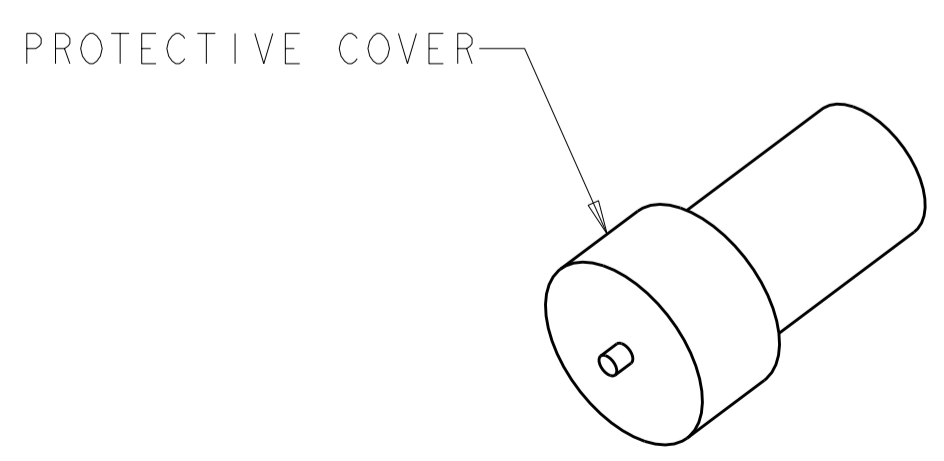
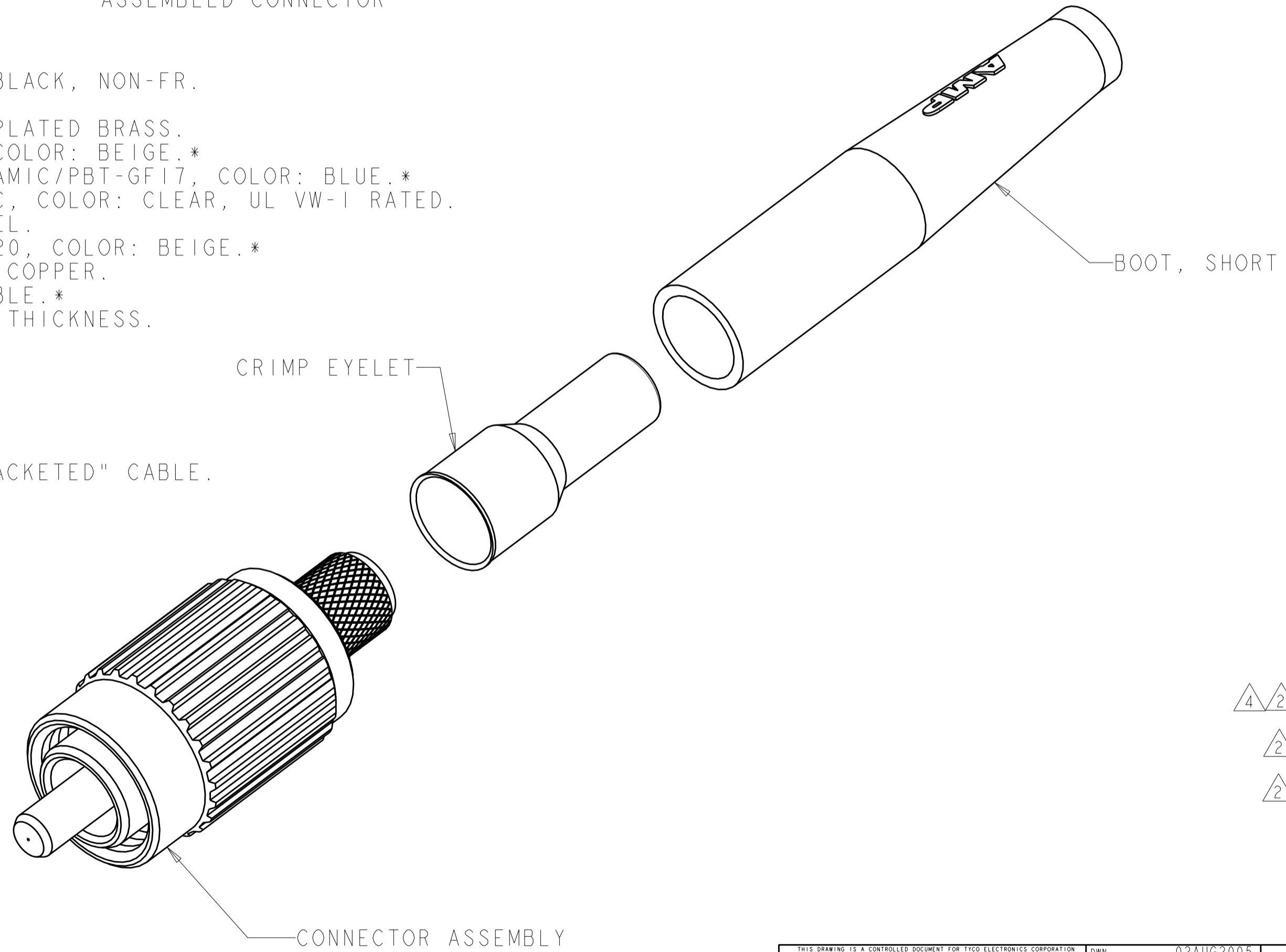
THIS DRAWING IS UNPUBLISHED. RELEASED FOR PUBLICATION 20
 © COPYRIGHT 20 BY TYCO ELECTRONICS CORPORATION. ALL RIGHTS RESERVED.

LOC	DIST	REVISIONS			
P	LTR	DESCRIPTION	DATE	DWN	APVD
CE	00	A	RELEASE TO ACTIVE	07JUN2006	BB SM



- 1 MATERIAL:
- PROTECTIVE COVER: LDPE, BLACK, NON-FR.
 - CONNECTOR SUB-ASSEMBLY:
 - COUPLING NUT: NICKEL PLATED BRASS.
 - PLUG BODY: PPS-GF40, COLOR: BEIGE.*
 - FERRULE ASSEMBLY: CERAMIC/PBT-GF17, COLOR: BLUE.*
 - EPOXY-FILL TUBING: PVC, COLOR: CLEAR, UL VW-1 RATED.
 - SPRING: STAINLESS STEEL.
 - RETAINER BODY: PES-GF20, COLOR: BEIGE.*
 - CRIMP EYELET: TIN PLATED COPPER.
 - BOOT: TPE, COLOR: SEE TABLE.*
- *UL94 V-0 RATED AT QUALIFYING THICKNESS.

- 2 BULK PACKAGE.
3. TO BE USED WITH 3.0mm "LOOSE JACKETED" CABLE.
- 4 CONTAINS NO EYELET OR BOOT.



4 2	-	5504649-9
2	BLUE	5504649-8
2	YELLOW	5504649-5
	YELLOW	5504649-4
	BLUE	5504649-1
	BOOT COLOR	PART NUMBER

THIS DRAWING IS A CONTROLLED DOCUMENT FOR TYCO ELECTRONICS CORPORATION. IT IS SUBJECT TO CHANGE AND THE CONTROLLING ENGINEERING ORGANIZATION SHOULD BE CONTACTED FOR THE LATEST REVISION.

DWN	B. BRIGGS	02AUG2005	Tyco Electronics Harrisburg, PA 17105-3608	
CHK	S. MILLER	02AUG2005		
APVD	S. BUCHTER	02AUG2005		
PRODUCT SPEC				
APPLICATION SPEC			NAME	CONNECTOR KIT, SINGLEMODE, FC, 3.0mm
WEIGHT			SIZE	A2
CUSTOMER DRAWING			CAGE CODE	00779
			DRAWING NO	5504649
			RESTRICTED TO	-
			SCALE	5:1
			SHEET	1 OF 1
			REV	A