



Chipsmall Limited consists of a professional team with an average of over 10 year of expertise in the distribution of electronic components. Based in Hongkong, we have already established firm and mutual-benefit business relationships with customers from,Europe,America and south Asia,supplying obsolete and hard-to-find components to meet their specific needs.

With the principle of “Quality Parts,Customers Priority,Honest Operation,and Considerate Service”,our business mainly focus on the distribution of electronic components. Line cards we deal with include Microchip,ALPS,ROHM,Xilinx,Pulse,ON,Everlight and Freescale. Main products comprise IC,Modules,Potentiometer,IC Socket,Relay,Connector.Our parts cover such applications as commercial,industrial, and automotives areas.

We are looking forward to setting up business relationship with you and hope to provide you with the best service and solution. Let us make a better world for our industry!



Contact us

Tel: +86-755-8981 8866 Fax: +86-755-8427 6832

Email & Skype: info@chipsmall.com Web: www.chipsmall.com

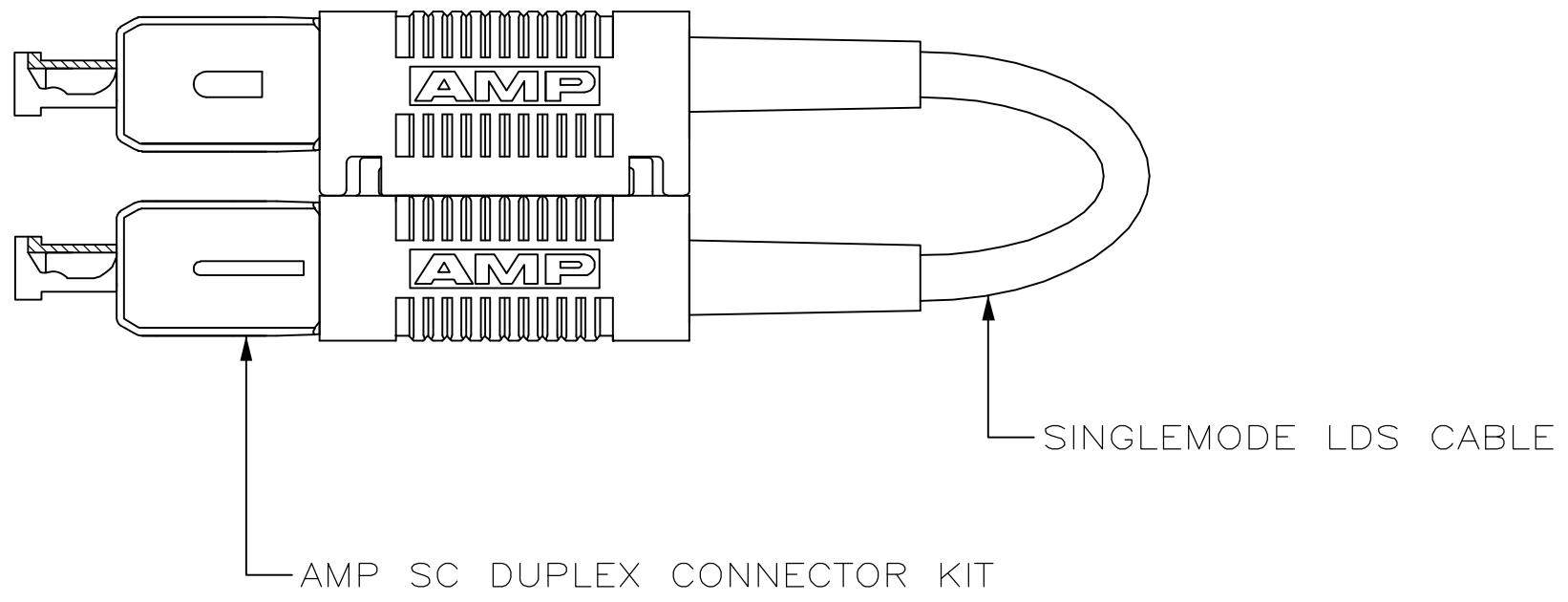
Address: A1208, Overseas Decoration Building, #122 Zhenhua RD., Futian, Shenzhen, China



THIS DRAWING IS UNPUBLISHED. RELEASED FOR PUBLICATION
 © COPYRIGHT BY TYCO ELECTRONICS CORPORATION. ALL RIGHTS RESERVED.

LOC	DIST	REVISIONS					
CE	16	P	LTR	DESCRIPTION	DATE	DWN	APVD
			A	RELEASED PER NPR	02 FEB 06	CSV	JD

1. 1.5 dB MAX INSERTION LOSS.
2. PRODUCT AND PROCESSING MUST MEET REQUIREMENTS OF THE TYCO ELECTRONICS STANDARD 230-702



5504883-1
 PART NUMBER

THIS DRAWING IS A CONTROLLED DOCUMENT.		DWN	C.S.VASU	02 FEB 06	 Tyco Electronics Corporation Harrisburg, Pa 17105-3608
DIMENSIONS: mm		CHK	J.DUNCAN	02 FEB 06	
		APVD	J.DUNCAN	02 FEB 06	
TOLERANCES UNLESS OTHERWISE SPECIFIED:		PRODUCT SPEC		NAME	
0 PLC ± -		-		LOOPBACK ASSEMBLY, FIBER OPTIC, SINGLEMODE, SC DUPLEX, OPTIMATE	
1 PLC ± -		APPLICATION SPEC		-	
2 PLC ± -		-		SIZE	A3
3 PLC ± -		-		CAGE CODE	00779
4 PLC ± -		-		DRAWING NO	C-5504883
ANGLES ± -		-		RESTRICTED TO	-
MATERIAL -		FINISH -		WEIGHT -	
-		-		CUSTOMER DRAWING	
-		-		SCALE	1:1
-		-		SHEET	1 OF 1
-		-		REV	A