



Chipsmall Limited consists of a professional team with an average of over 10 year of expertise in the distribution of electronic components. Based in Hongkong, we have already established firm and mutual-benefit business relationships with customers from,Europe,America and south Asia,supplying obsolete and hard-to-find components to meet their specific needs.

With the principle of "Quality Parts,Customers Priority,Honest Operation,and Considerate Service",our business mainly focus on the distribution of electronic components. Line cards we deal with include Microchip,ALPS,ROHM,Xilinx,Pulse,ON,Everlight and Freescale. Main products comprise IC,Modules,Potentiometer,IC Socket,Relay,Connector.Our parts cover such applications as commercial,industrial, and automotives areas.

We are looking forward to setting up business relationship with you and hope to provide you with the best service and solution. Let us make a better world for our industry!



Contact us

Tel: +86-755-8981 8866 Fax: +86-755-8427 6832

Email & Skype: info@chipsmall.com Web: www.chipsmall.com

Address: A1208, Overseas Decoration Building, #122 Zhenhua RD., Futian, Shenzhen, China



THIS DRAWING IS UNPUBLISHED. RELEASED FOR PUBLICATION 20
 © 2016 COMMSCOPE INC. CONFIDENTIAL NOTICE: THESE DRAWINGS AND SPECIFICATIONS ARE THE PROPRIETARY PROPERTY OF COMMSCOPE, INC. AND MAY BE USED ONLY FOR THE SPECIFIC PURPOSE AUTHORIZED IN WRITING BY COMMSCOPE, INC.

REVISIONS				
P	LTR	DESCRIPTION	DATE	APVD
C		REV; 40033535MCO	28SEP2016	GG TE

1 MATERIAL:

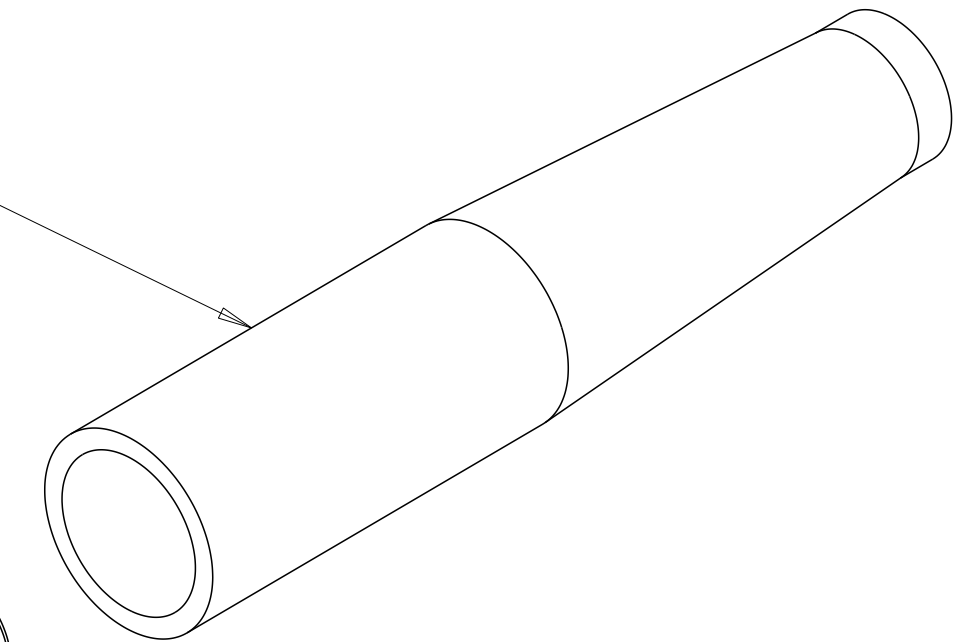
CONNECTOR HOUSING: PBT-GF17, COLOR: BEIGE.*
 CONNECTOR SUBASSEMBLY:
 PLUG BODY: PES-GF20, COLOR: BEIGE.*
 SPRING: STAINLESS STEEL
 FERRULE ASSEMBLY: CERAMIC/PBT-GF17, COLOR: BEIGE.*
 EPOXY-FILL TUBING: PVC, COLOR: CLEAR, UL VW-1 RATED.
 RETAINER BODY: PES-GF20, COLOR: BEIGE.*
 CRIMP EYELET: TIN PLATED COPPER
 BOOT: TPE, COLOR: SEE TABLE.*
 PROTECTIVE COVER: LDPE, COLOR: BLACK, NON-FR.
 *UL94 V-0 RATED AT QUALIFYING THICKNESS.

2. FOR USE WITH 2.0mm "LOOSE-JACKETED" CABLE.

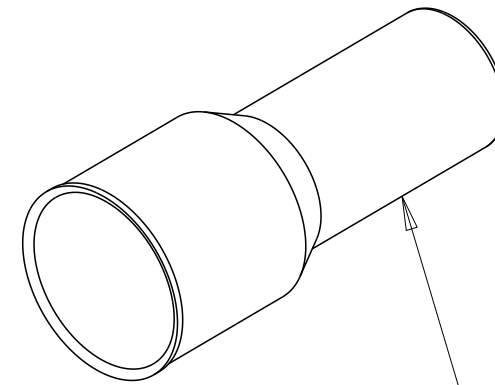
3 BULK PACKAGE.

4. INSTRUCTION SHEET 408-8674

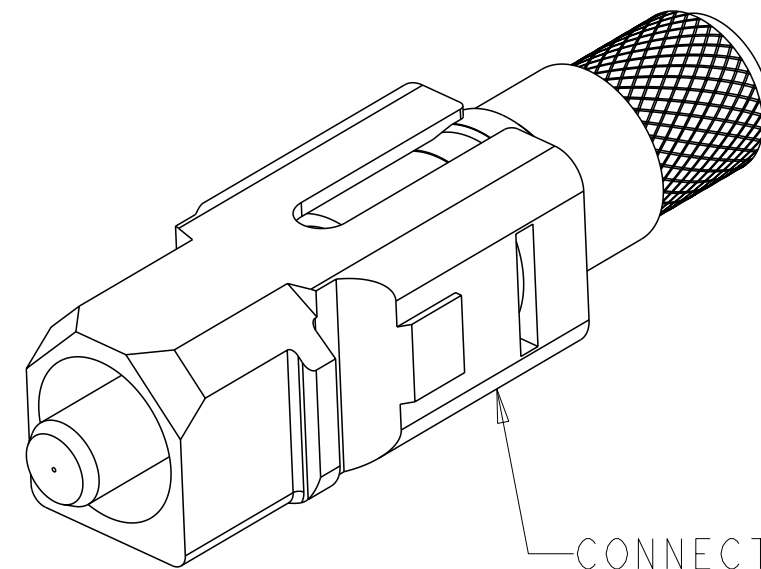
SHORT BOOT



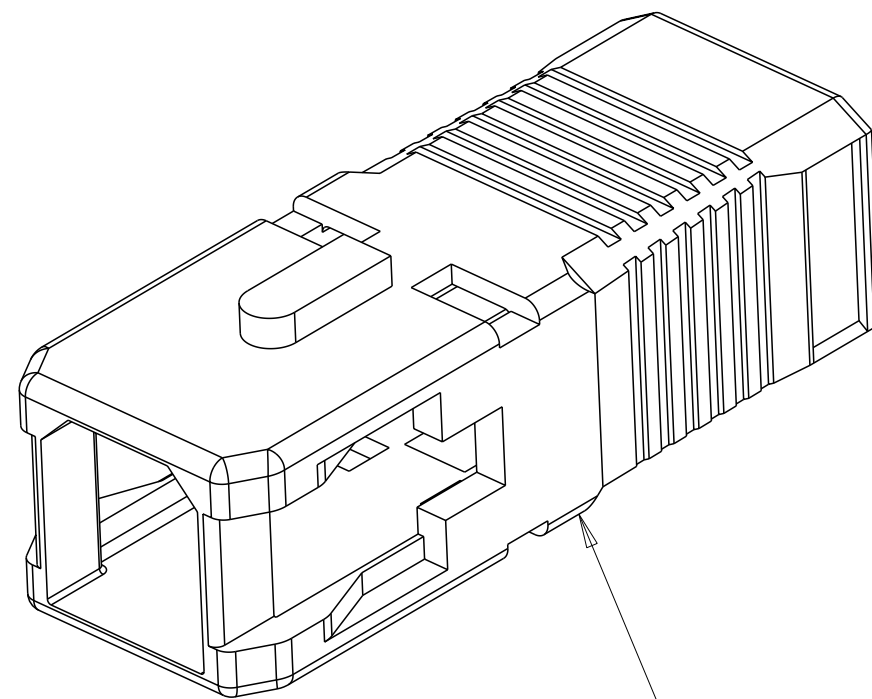
CRIMP EYELET



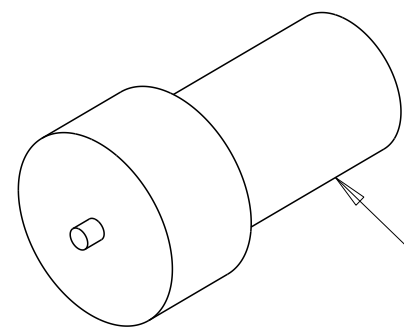
CONNECTOR SUBASSEMBLY



CONNECTOR HOUSING



PROTECTIVE COVER



BLACK	5504931-6
AQUA	5504931-5
RED	5504931-4
BLACK	5504931-3
BEIGE	5504931-1
BOOT COLOR	PART NUMBER

THIS DRAWING IS A CONTROLLED DOCUMENT.		DWN B. BRIGGS 05JAN2006	COMMSCOPE, INC.	
DIMENSIONS:		CHK S. MILLER 05JAN2006		
mm		APVD S. BUCHTER 05JAN2006		
TOLERANCES UNLESS OTHERWISE SPECIFIED:		PRODUCT SPEC	NAME AMP SC, MULTIMODE CONNECTOR KIT, 2.0mm	
0 PLC	±	APPLICATION SPEC	SIZE	CAGE CODE
1 PLC	±	WEIGHT	A200779	G-5504931
2 PLC	±	CUSTOMER DRAWING	SCALE	SHEET
3 PLC	±		5:1	1 OF 1
4 PLC	±			REV
ANGLES	±			C
FINISH	-			