



Chipsmall Limited consists of a professional team with an average of over 10 year of expertise in the distribution of electronic components. Based in Hongkong, we have already established firm and mutual-benefit business relationships with customers from,Europe,America and south Asia,supplying obsolete and hard-to-find components to meet their specific needs.

With the principle of “Quality Parts,Customers Priority,Honest Operation,and Considerate Service”,our business mainly focus on the distribution of electronic components. Line cards we deal with include Microchip,ALPS,ROHM,Xilinx,Pulse,ON,Everlight and Freescale. Main products comprise IC,Modules,Potentiometer,IC Socket,Relay,Connector.Our parts cover such applications as commercial,industrial, and automotives areas.

We are looking forward to setting up business relationship with you and hope to provide you with the best service and solution. Let us make a better world for our industry!



Contact us

Tel: +86-755-8981 8866 Fax: +86-755-8427 6832

Email & Skype: info@chipsmall.com Web: www.chipsmall.com

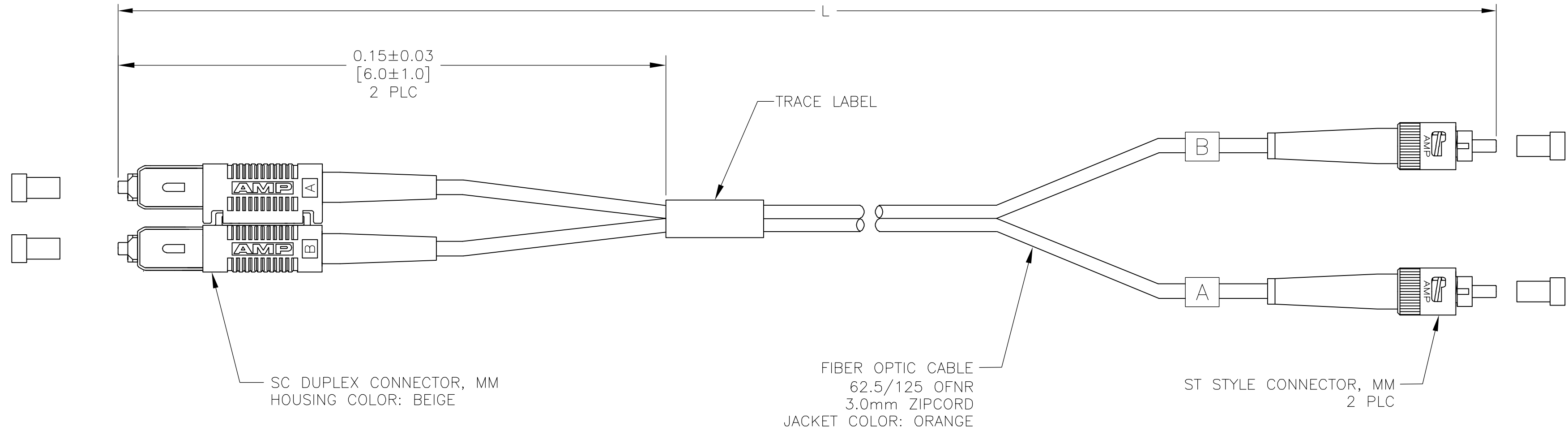
Address: A1208, Overseas Decoration Building, #122 Zhenhua RD., Futian, Shenzhen, China



THIS DRAWING IS UNPUBLISHED. RELEASED FOR PUBLICATION
 © COPYRIGHT BY TYCO ELECTRONICS CORPORATION. ALL RIGHTS RESERVED.

LOC	DIST	REVISIONS				
P	LTR	DESCRIPTION	DATE	OWN	APVD	
CE	17	A	RELEASED	27OCT05	JWD	JD

- 1. MAXIMUM CONNECTOR INSERTION LOSS IS 0.5dB PLUS CABLE ATTENUATION OF 1.5dB/km AT 1300nm (SEE TABLE)
- 2. PRODUCT AND PROCESSING MUST MEET REQUIREMENTS OF TYCO ELECTRONICS STANDARD 230-702



MAX IL (dB)	L METERS [INCHES]	PART NUMBER
0.55	30.00±0.30 [1181.1±11.8]	3-5504958-0
0.54	25.00±0.30 [984.2±11.8]	2-5504958-5
0.64	91.44±0.91 [3600.0±36.0]	1-5504958-6
0.51	4.00±0.08 [157.5±3.2]	1-5504958-5
0.50	0.305+0.051/-0.0 [12.0+2.0/-0.0]	1-5504958-4
0.50	2.44±0.05 [96.0±2.0]	1-5504958-3
0.52	13.00±0.15 [511.8±5.9]	1-5504958-2
0.52	11.00±0.15 [433.1±5.9]	1-5504958-1
0.51	8.00±0.15 [315.0±5.9]	1-5504958-0
0.51	7.00±0.08 [275.6±3.2]	5504958-9
0.51	6.00±0.08 [236.2±3.0]	5504958-8
0.53	20.00±0.30 [787.4±11.8]	5504958-7
0.52	15.00±0.15 [590.5±5.9]	5504958-6
0.52	10.00±0.15 [393.7±5.9]	5504958-5
0.51	5.00±0.08 [196.8±3.2]	5504958-4
0.50	3.00±0.05 [118.1±2.0]	5504958-3
0.50	2.00±0.05 [78.7±2.0]	5504958-2
0.50	1.00±0.05 [39.4±2.0]	5504958-1

THIS DRAWING IS A CONTROLLED DOCUMENT.		DWN J. W. DAVIS 27OCT05	Tyco Electronics Corporation Harrisburg, PA 17105-3608			
DIMENSIONS: METERS [INCHES]		CHK J. DUNCAN 27OCT05				
TOLERANCES UNLESS OTHERWISE SPECIFIED:		APVD F. McCORKEL 27OCT05	NAME CABLE ASSEMBLY, FIBER OPTIC, 62.5/125um, 3.0mm OFNR ZIPCORD, SC DUPLEX TO DUAL ST, RoHS			
0 PLC ± - 1 PLC ± - 2 PLC ± - 3 PLC ± - 4 PLC ± - ANGLES ± ± FINISH -		PRODUCT SPEC -	SIZE A2	CAGE CODE 00779	DRAWING NO. C-5504958	RESTRICTED TO -
MATERIAL -		APPLIC. SPEC -	SCALE NTS		SHEET 1 of 1	REV A
CUSTOMER DRAWING						