



Chipsmall Limited consists of a professional team with an average of over 10 year of expertise in the distribution of electronic components. Based in Hongkong, we have already established firm and mutual-benefit business relationships with customers from,Europe,America and south Asia,supplying obsolete and hard-to-find components to meet their specific needs.

With the principle of “Quality Parts,Customers Priority,Honest Operation,and Considerate Service”,our business mainly focus on the distribution of electronic components. Line cards we deal with include Microchip,ALPS,ROHM,Xilinx,Pulse,ON,Everlight and Freescale. Main products comprise IC,Modules,Potentiometer,IC Socket,Relay,Connector.Our parts cover such applications as commercial,industrial, and automotives areas.

We are looking forward to setting up business relationship with you and hope to provide you with the best service and solution. Let us make a better world for our industry!



## Contact us

Tel: +86-755-8981 8866 Fax: +86-755-8427 6832

Email & Skype: info@chipsmall.com Web: www.chipsmall.com

Address: A1208, Overseas Decoration Building, #122 Zhenhua RD., Futian, Shenzhen, China





### FEATURES

- RoHS compliant
- Primary current rating 15A<sup>4</sup>
- 50, 100, & 200 turn variants
- Primary to secondary isolation 1000Vrms
- 50kHz-500kHz frequency range
- Surface mount
- Industry-standard footprint
- UL94 V-0 package materials
- Tube or tape & reel packaging available
- J-STD-020C reflow

### PRODUCT OVERVIEW

The 5500 series of current sense transformers are designed to monitor AC currents. The transformers can be used for high frequency current sensing in applications such as switched-mode power supplies, motor control, and electronic lighting ballasts.

### SELECTION GUIDE

Order Code <sup>1</sup>	Turns Ratio	Min. Secondary Inductance mH	Max. DC Resistance		Isolation Voltage <sup>2</sup> (Pri-Sec) Vrms	Terminating Resistance to produce 1V <sub>OUT</sub> /1A <sub>IN</sub> ±0.1% Ω
			Primary (1,3-2,4) mΩ	Secondary (5-6) mΩ		
<b>55050C</b>	1:1:50	3.8	2.3	350	1000	50
<b>55100C</b>	1:1:100	14.8	2.3	850	1000	100
<b>55200C</b>	1:1:200	60.0	2.3	3600	1000	200

### ABSOLUTE MAXIMUM RATINGS

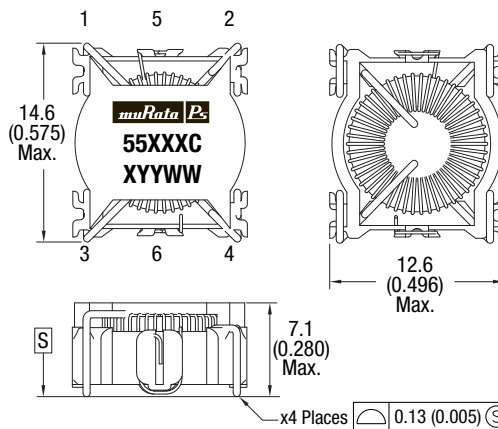
Operating free air temperature range	-40°C to 125°C
Storage temperature range	-40°C to 140°C

### SOLDERING INFORMATION<sup>3</sup>

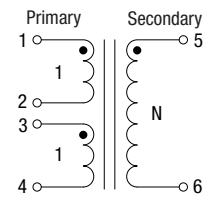
Peak reflow solder temperature	245°C
Pin finish	Reflowed tin

### PACKAGE SPECIFICATIONS

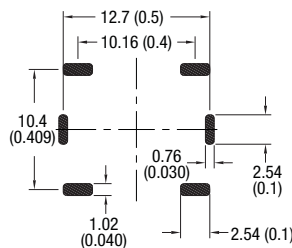
#### Mechanical Dimensions



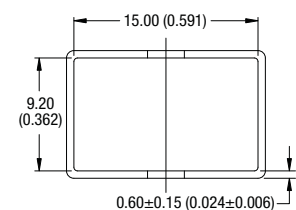
#### Schematic



#### Recommended Footprint Details



#### Tube Outline Dimensions



Tube length: 475±2.0 (18.701±0.079)  
Tube quantity: 35 Tube material: Antistatic coated clear PVC

Unless otherwise stated, all dimensions in mm (inches) ±0.25 (0.010).

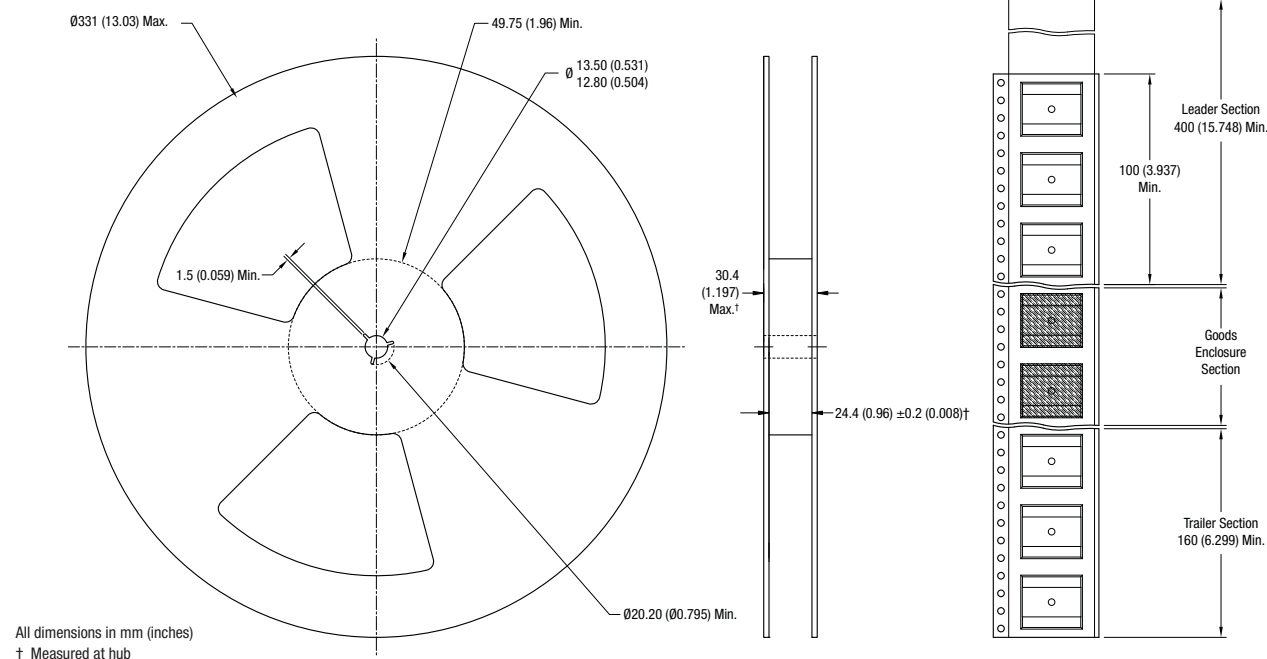
Specifications typical at T<sub>a</sub> = 25°C

1. If components are required in tape and reel format suffix order code with -R, e.g. 55050C-R.
2. Flash tested for 1 second.
3. For further information, please visit [www.murata-ps.com/rohs](http://www.murata-ps.com/rohs)
4. Primary windings connected in parallel.

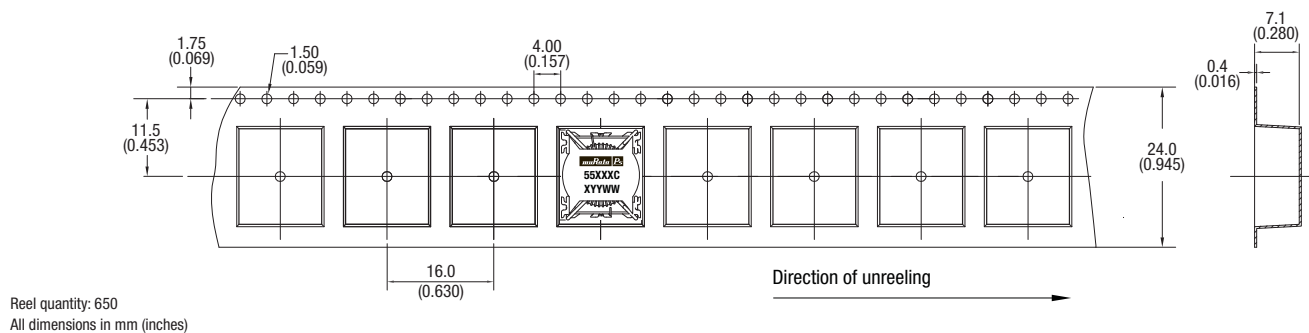


**PACKAGE SPECIFICATIONS**

**Reel Dimensions**



**Tape Outline Dimensions**



Murata Power Solutions, Inc.  
11 Cabot Boulevard, Mansfield, MA 02048-1151 U.S.A.  
ISO 9001 and 14001 REGISTERED

Murata Power Solutions, Inc. makes no representation that the use of its products in the circuits described herein, or the use of other technical information contained herein, will not infringe upon existing or future patent rights. The descriptions contained herein do not imply the granting of licenses to make, use, or sell equipment constructed in accordance therewith. Specifications are subject to change without notice.  
© 2011 Murata Power Solutions, Inc.