



Chipsmall Limited consists of a professional team with an average of over 10 year of expertise in the distribution of electronic components. Based in Hongkong, we have already established firm and mutual-benefit business relationships with customers from,Europe,America and south Asia,supplying obsolete and hard-to-find components to meet their specific needs.

With the principle of "Quality Parts,Customers Priority,Honest Operation,and Considerate Service",our business mainly focus on the distribution of electronic components. Line cards we deal with include Microchip,ALPS,ROHM,Xilinx,Pulse,ON,Everlight and Freescale. Main products comprise IC,Modules,Potentiometer,IC Socket,Relay,Connector.Our parts cover such applications as commercial,industrial, and automotives areas.

We are looking forward to setting up business relationship with you and hope to provide you with the best service and solution. Let us make a better world for our industry!



## Contact us

Tel: +86-755-8981 8866 Fax: +86-755-8427 6832

Email & Skype: info@chipsmall.com Web: www.chipsmall.com

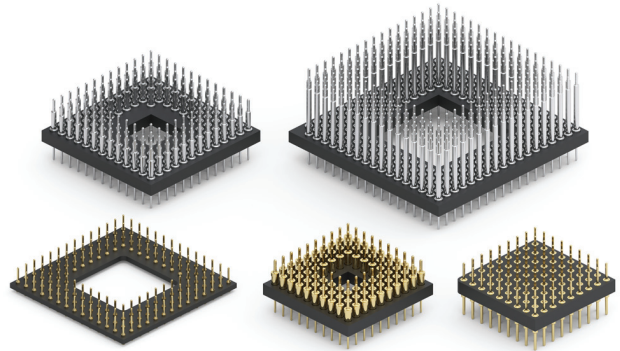
Address: A1208, Overseas Decoration Building, #122 Zhenhua RD., Futian, Shenzhen, China



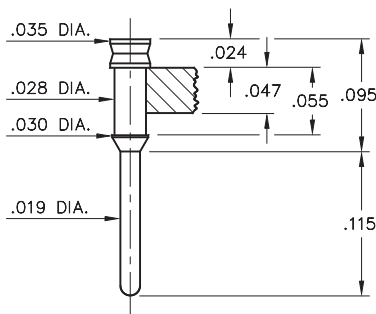
# PIN GRID ARRAY HEADERS

**SERIES 507, 550, 551, 599 • .100" AND INTERSTITIAL GRID • SURFACE MOUNT AND THROUGH-HOLE**

- Series 551 and 599 headers are available on .100" centers
- Series 507 and 550 PGA headers are available for interstitial patterns and designed for SMT adapter applications
- Series 550 and 551 are through-hole mount for adapter & board stacking applications
- Series 550 and 551 use High temperature PCT polyester insulator material suitable for all forms of soldering
- Series 507 and 599 use FR-4 epoxy insulator material
- For Electrical, Mechanical and Environmental Data, see page 137 for details

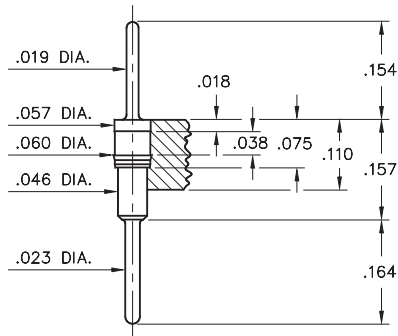


**SERIES 507**  
SMT HEADER PIN TYPE #0737



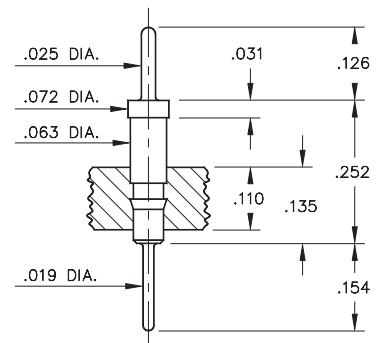
Interstitial Patterns Only

**SERIES 550**  
HEADER PIN TYPE #5012

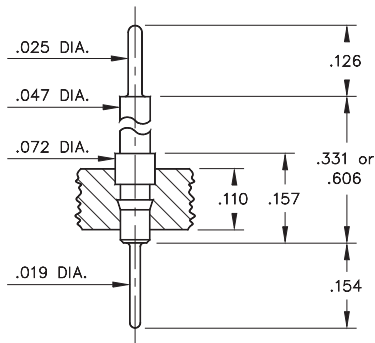


Interstitial Patterns Only

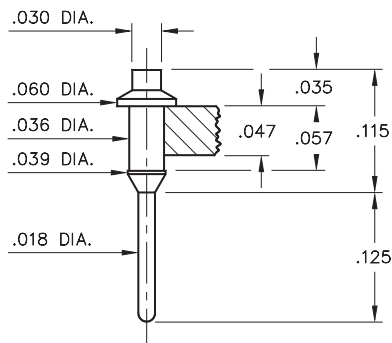
**SERIES 551**  
HEADER PIN TYPE #5503



**SERIES 551**  
HEADER PIN TYPE #5504 & #5505



**SERIES 599**  
SMT HEADER PIN TYPE #9976



XX=Plating Code  
See Below

RoHS-2  
2011/65/EU

Visit [www.mill-max.com/pgs](http://www.mill-max.com/pgs) to configure a formal part number

**SPECIFY PLATING CODE XX =**

10

90

40

Pin Plating



10 μ" Au

200 μ" Sn/Pb

200 μ" Sn

