



Chipsmall Limited consists of a professional team with an average of over 10 year of expertise in the distribution of electronic components. Based in Hongkong, we have already established firm and mutual-benefit business relationships with customers from,Europe,America and south Asia,supplying obsolete and hard-to-find components to meet their specific needs.

With the principle of “Quality Parts,Customers Priority,Honest Operation,and Considerate Service”,our business mainly focus on the distribution of electronic components. Line cards we deal with include Microchip,ALPS,ROHM,Xilinx,Pulse,ON,Everlight and Freescale. Main products comprise IC,Modules,Potentiometer,IC Socket,Relay,Connector.Our parts cover such applications as commercial,industrial, and automotives areas.

We are looking forward to setting up business relationship with you and hope to provide you with the best service and solution. Let us make a better world for our industry!



Contact us

Tel: +86-755-8981 8866 Fax: +86-755-8427 6832

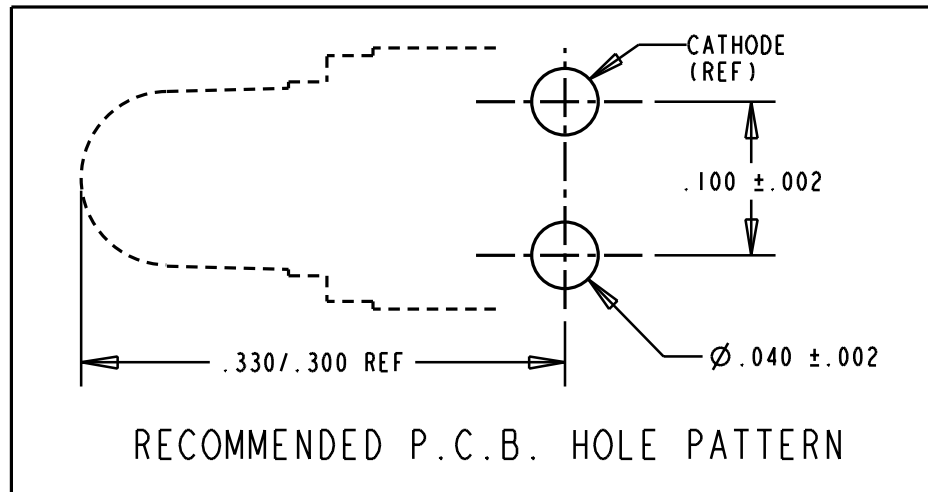
Email & Skype: info@chipsmall.com Web: www.chipsmall.com

Address: A1208, Overseas Decoration Building, #122 Zhenhua RD., Futian, Shenzhen, China



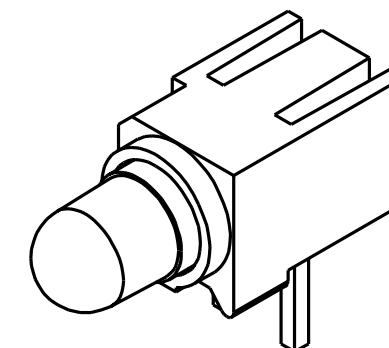
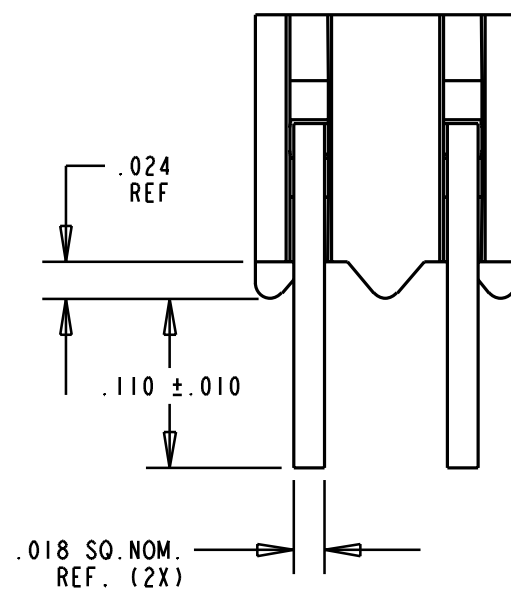
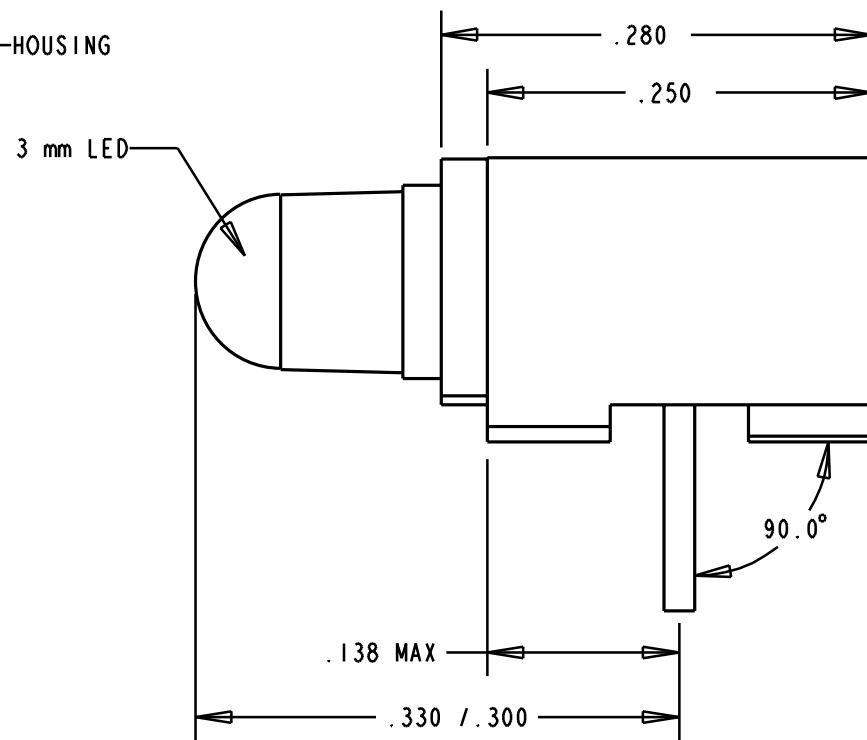
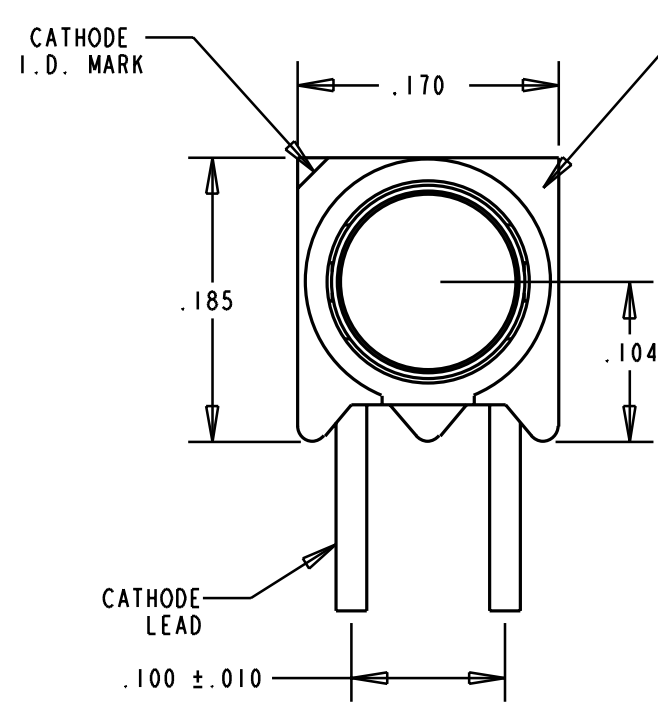
ASS'Y NO.	LIST NO.	COMCODE	LED COLOR	I _V (MIN.)	V _F (MAX.)	λ PEAK (nm)	I _R (MAX.) 5VDC	TEST COND.
551-0001-844	4	406212357	RED	1.0 mcd	2.2 V	613-635	100 μA	I _F = 10 mA
551-0001-845	5	406212365	YELLOW	1.0 mcd	2.2 V	584-591	100 μA	I _F = 10 mA
551-0001-846	6	406212381	GREEN	1.0 mcd	2.3 V	560-580	100 μA	I _F = 10 mA

REV.	ECN NO.	REVISIONS	DRN.	CKD.	APP.	DATE
B	—	P/N 551-0001-845 COMCODE 406212365 WAS 406212265; ADDED NOTE 5,6 AND .024 REF .018 SQ. NOM. REF. (2X), RECOMMENDED P.C.B. HOLE PATTERN, TITLE AND MODEL.	DC			



NOTES :

- 1- LAMP MUST BE PROPERLY SEATED IN BASE.
2. OBSERVE POLARITY WHEN INSERTING L.E.D. INTO HOUSING. (NON-STANDARD POLARITY)
- 3- PART MUST MEET LUCENT TECHNOLOGIES SPEC. WP-90931 L4, L5, L6 (REF. AT&T DWG #L-739234).
- 4- LED MUST MEET LUCENT TECHNOLOGIES SPEC. WP-90913 LIST #1 (RED), LIST #2 (YELLOW) AND LIST #3 (GREEN).
- 5- PACKAGE- 500 PIECES IN ANTISTATIC ZIP LOCK BAG. APPLY DIALIGHT LABEL WITH DIALIGHT P/N, DATE CODE, LED LOT #, QTY/BAG, COMCODE # "406212357 DIO WP90931L4" FOR -844; "406212365 DIO WP90931L5" FOR -845 AND "406212381 DIO WP90931L6" FOR -846.
- 6- DIALIGHT PART NO. 551-0001-844, 551-0001-845, 551-0001-846.



SCALE 5.000

THIS DRAWING AND THE CONTENTS HEREIN ARE CONFIDENTIAL AND THE SOLE PROPERTY OF DIALIGHT. REPRODUCTION OF THIS DRAWING OR CONSTRUCTION OF ANY PARTS WITHIN THIS DRAWING ARE FORBIDDEN WITHOUT THE WRITTEN CONSENT OF DIALIGHT.		
SCALE 8:1	DRAWING NUMBER	REV
ALL DIM'S IN: INCHES	C-16108	B
TOLERANCES: UNLESS OTHERWISE SPECIFIED	TITLE 3mm LED CBI	
FRACTIONS: ±1/64	MATERIAL	
DECIMALS (.XX): ±.020	Dialight	
DECIMALS (.XXX): ±.015	1913 ATLANTIC AVE. MANASQUAN, N.J. 08736	
ANGLES: ±3°	SHEET OF FAMILY TABLE:	
FINISH:	FSCM 83330	