



Chipsmall Limited consists of a professional team with an average of over 10 year of expertise in the distribution of electronic components. Based in Hongkong, we have already established firm and mutual-benefit business relationships with customers from,Europe,America and south Asia,supplying obsolete and hard-to-find components to meet their specific needs.

With the principle of “Quality Parts,Customers Priority,Honest Operation,and Considerate Service”,our business mainly focus on the distribution of electronic components. Line cards we deal with include Microchip,ALPS,ROHM,Xilinx,Pulse,ON,Everlight and Freescale. Main products comprise IC,Modules,Potentiometer,IC Socket,Relay,Connector.Our parts cover such applications as commercial,industrial, and automotives areas.

We are looking forward to setting up business relationship with you and hope to provide you with the best service and solution. Let us make a better world for our industry!



Contact us

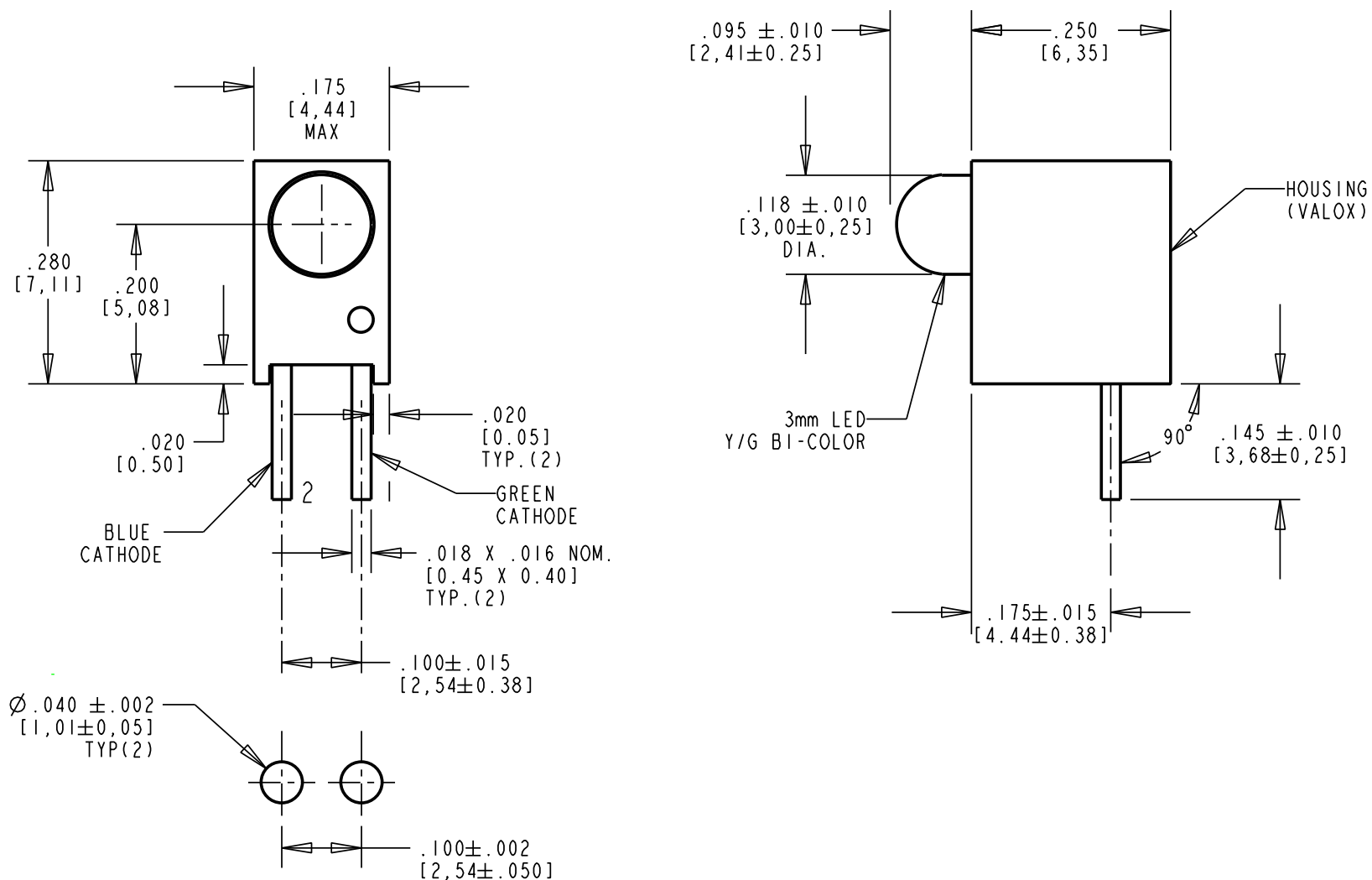
Tel: +86-755-8981 8866 Fax: +86-755-8427 6832

Email & Skype: info@chipsmall.com Web: www.chipsmall.com

Address: A1208, Overseas Decoration Building, #122 Zhenhua RD., Futian, Shenzhen, China



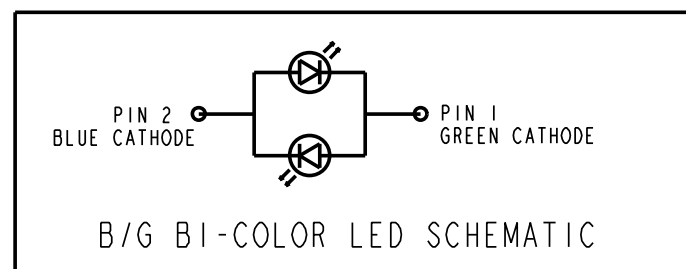
REV	ECN NO	REVISIONS	DRN	CKD	APP	DATE
A	—	NEW RELEASE	TWC	N.O.	MES	1-6-06
B	—	REVISED TOL. ON LED DIA. WAS ±.004 ON .100, .175 DIM'S WAS DEFAULT TOL, ADDED METRIC DIM (MILLIMETERS)	SM			



LED COLOR = YELLOW/GREEN BI-COLOR						
OPERATING CHARACTERISTICS AT 25°C AMBIENT						
CHARACTERISTICS	COLOR	MIN	TYP	MAX	UNITS	TEST CONDITIONS
LUMINOUS INTENSITY	BLUE	3.8	8.5		mcd	I _F = 20 mA
	GREEN	6.5	14			
FORWARD VOLTAGE	BLUE		4.0	5.0	V	I _F = 20 mA
	GREEN		2.1	2.6		
PEAK WAVELENGTH	BLUE		428		nm	
	GREEN		565			
VIEWING ANGLE	ALL		60		Degree	

ABSOLUTE MAXIMUM RATING AT 25°C AMBIENT			
	UNITS	BLUE	GREEN
POWER DISSIPATION	mW	100	75
CONTINUOUS FORWARD CURRENT	mA	20	30
DERATE LINEARLY FROM 30°C FOR BLUE / 50°C FOR GREEN	mA/°C	0.30	0.40
PEAK FORWARD CURRENT (1/10 DUTY CYCLE, 0.1 ms PULSE WIDTH)	mA	50	90
LEAD SOLDERING TEMPERATURE, 6 SEC., 1/16" FROM BASE	°C	260	
OPERATING TEMPERATURE	°C	-20 TO +80	
STORAGE TEMPERATURE	°C	-30 TO +100	

RECOMMENDED P.C.B.HOLE PATTERN



NOTES:

- LEADS TO FIT INTO HOLE PATTERN SPACED AS SHOWN.
- LEAD FINISH IS TIN (Sn) PLATED OVER NICKEL (Ni) ON COPPER ALLOY (Cu).
- LED LEAD DIMENSIONS SHOWN ARE MEASURED AT HOUSING EXIT.
- PIN NUMBERS FOR REFERENCE ONLY, DESIGNATION NON-EXISTENT ON PARTS.
- DIALIGHT PART NUMBER: 551-3307F.
- THIS ASSEMBLY CONTAINS ELECTROSTATIC DISCHARGE SENSITIVE DEVICES (ESDS). MAINTAIN ALL PRECAUTIONARY MEASURES DURING ASSEMBLY, HANDLING AND STORAGE IN ACCORDANCE WITH IPC-A-610.

RoHS Compliant 551-3307F Thru hole Bi-color CBI

Part Numbers with the "F" suffix ending are RoHS Compliant.
 Example: 551-3307F
 The bag packaging is marked with "RoHS Compliant" label or equivalent markings.
 Parts can be wave soldered, dip soldered or hand soldered using typical lead-free soldering process with max 260°C temp. for 5 sec.

THIS DRAWING AND THE CONTENTS HEREIN ARE CONFIDENTIAL AND THE SOLE PROPERTY OF DIALIGHT. REPRODUCTION OF THIS DRAWING OR CONSTRUCTION OF ANY PARTS WITHIN THIS DRAWING ARE FORBIDDEN WITHOUT THE WRITTEN CONSENT OF DIALIGHT.		
SCALE: DRAWING SCALE ALL DIM'S IN: INCHES (MM)	DRAWING NUMBER C-17342	REV B
TOLERANCES: UNLESS OTHERWISE SPECIFIED FRACTIONS: ±1/64 DECIMALS (.XX): ±.01 DECIMALS (.XXX): ±.005 DECIMALS (.XXXX): ±.0005 ANGLES: ±1°	TITLE 3mm LED CBI .200" HIGH ϕ , B/G BI-COLOR	
FINISH:	MATERIAL	
FSCM 83330	Dialight 1501 ROUTE 34 SOUTH FARMINGDALE, NJ 07727	
	SHEET II OF II	FAMILY TABLE:



ATTENTION:
OBSERVE PRECAUTIONS FOR
HANDLING ELECTROSTATIC
SENSITIVE DEVICES