



Chipsmall Limited consists of a professional team with an average of over 10 year of expertise in the distribution of electronic components. Based in Hongkong, we have already established firm and mutual-benefit business relationships with customers from,Europe,America and south Asia,supplying obsolete and hard-to-find components to meet their specific needs.

With the principle of “Quality Parts,Customers Priority,Honest Operation,and Considerate Service”,our business mainly focus on the distribution of electronic components. Line cards we deal with include Microchip,ALPS,ROHM,Xilinx,Pulse,ON,Everlight and Freescale. Main products comprise IC,Modules,Potentiometer,IC Socket,Relay,Connector.Our parts cover such applications as commercial,industrial, and automotives areas.

We are looking forward to setting up business relationship with you and hope to provide you with the best service and solution. Let us make a better world for our industry!



Contact us

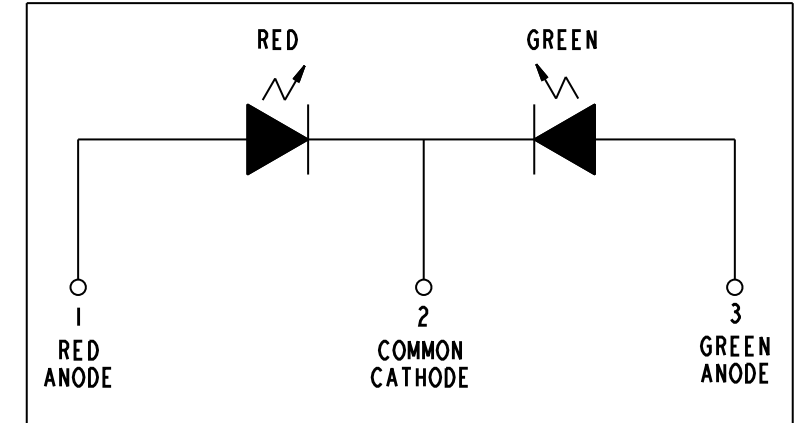
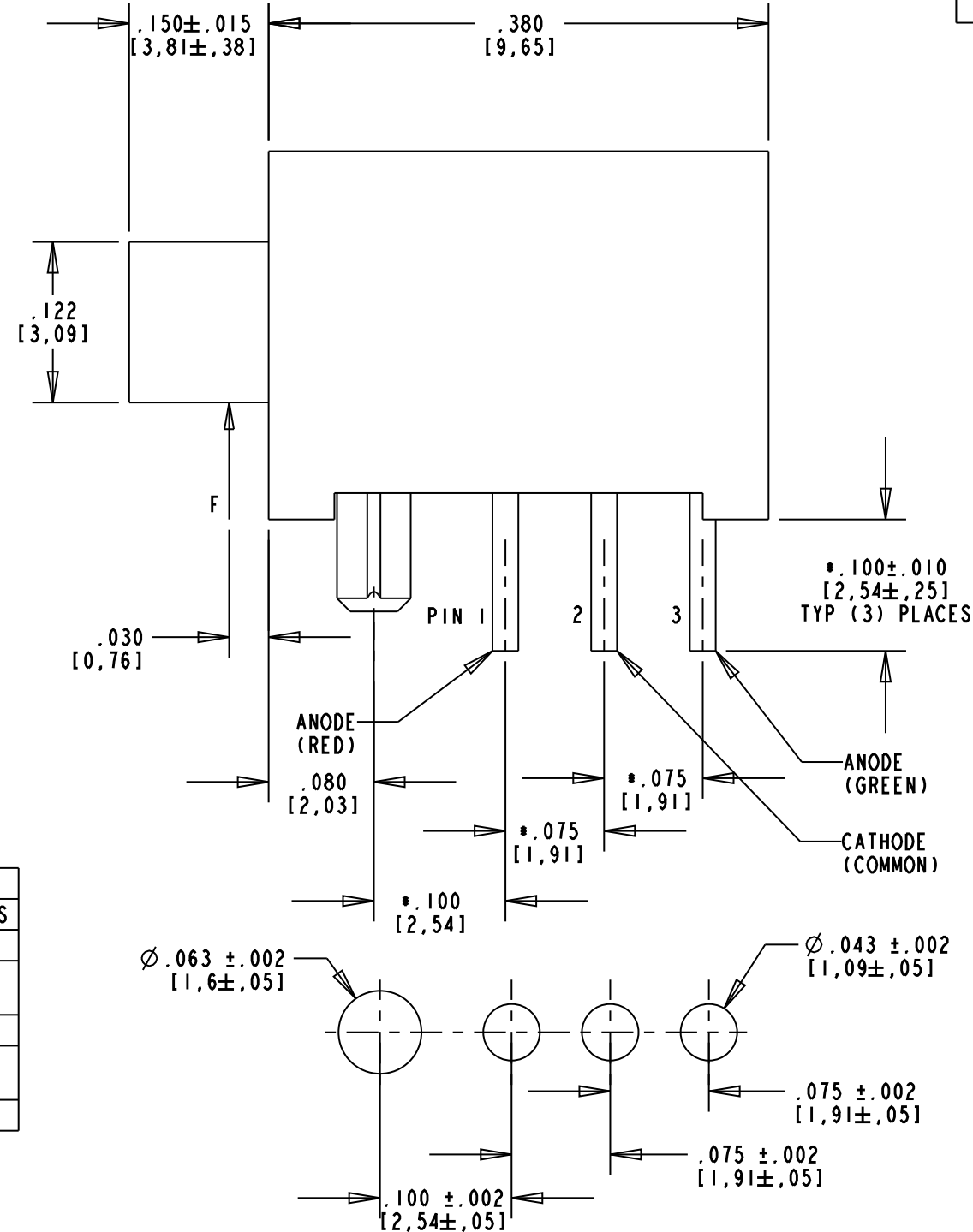
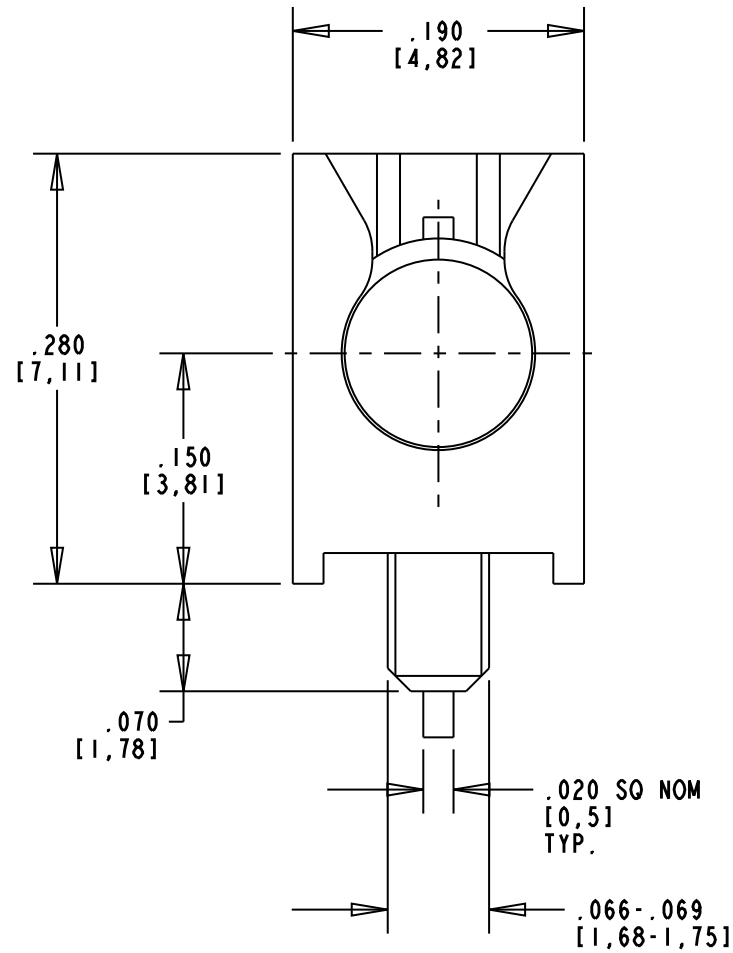
Tel: +86-755-8981 8866 Fax: +86-755-8427 6832

Email & Skype: info@chipsmall.com Web: www.chipsmall.com

Address: A1208, Overseas Decoration Building, #122 Zhenhua RD., Futian, Shenzhen, China



REV	ECN NO	REVISIONS	DRN	CKD	APP	DATE
A	—	NEW RELEASE	CE	AE	NO	1-26-07
B	—	UPDATED TOLERANCES; REVERSE CURRENT 100 WAS 20; INTENSITY ANGLE 116; ADDED METRIC UNITS.	AJF	KLJ	NO	7-23-09



RoHS Compliant 551-3508F
 Part Numbers with the "F" suffix ending are RoHS Compliant.
 Packaging is marked with "RoHS Compliant" label or equivalent markings.
 Parts can be wave soldered, dip soldered or hand soldered using typical lead-free soldering process with max 260°C temp. for 5 sec.

OPERATING CHARACTERISTICS AT 25° C AMBIENT					
LED CHARACTERISTICS	MIN	TYP.	MAX.	UNITS	TEST CONDITIONS
LUMINOUS INTENSITY	2	4		mcd	I _f = 20 mA
FORWARD VOLTAGE		2.0 2.1	2.5	V	I _f = 20 mA
REVERSE CURRENT			100	µA	V _R = 4V
PEAK WAVELENGTH		630 560		nm	I _f = 20 mA
2 X 1/2- INTENSITY ANGLE			116	DEGREES	I _f = 20 mA

ABSOLUTE MAXIMUM RATINGS AT 25° C AMBIENT	
POWER DISSIPATION	75 mW
DERATE LINEARLY FROM 25° C	.33 mA/°C
CONTINUOUS FORWARD CURRENT	30 mA
PEAK FORWARD CURRENT (D≤1/20, t≤1ms)	100 mA
PEAK REVERSE VOLTAGE	4 V
LEAD SOLDERING TEMPERATURE, 5 SEC., 1/16" FROM BASE	260°C
OPERATING TEMPERATURE	-30°C to +85°C
STORAGE TEMPERATURE	-30°C to +100°C

RECOMMENDED PC BOARD HOLE PATTERN

NOTES:

- LEADS TO FIT INTO HOLES SPACED AS PER PATTERN.
- BODY OF LED TO SNAP INTO HOUSING. RETENTION FORCE (F) APPLIED AS SHOWN TO BE 1.5 POUND MIN..
- "*" DENOTES CRITICAL DIMENSIONS.
- DIALIGHT PART NUMBER: 551-3508F
- THIS ASSEMBLY CONTAINS ELECTROSTATIC DISCHARGE SENSITIVE DEVICES (ESDS). MAINTAIN ALL PRECAUTIONARY MEASURES DURING ASSEMBLY, HANDLING AND STORAGE IN ACCORDANCE WITH IPC-A-610.

THIS DRAWING AND THE CONTENTS HEREIN ARE CONFIDENTIAL AND THE SOLE PROPERTY OF DIALIGHT. REPRODUCTION OF THIS DRAWING OR CONSTRUCTION OF ANY PARTS WITHIN THIS DRAWING ARE FORBIDDEN WITHOUT THE WRITTEN CONSENT OF DIALIGHT.		
SCALE: DRAWING SCALE ALL DIM'S IN: INCHES (MM)	DRAWING NUMBER C-17452	REV B
TOLERANCES: UNLESS OTHERWISE SPECIFIED FRACTIONS: ±1/64 DECIMALS (.XX): ±.02 DECIMALS (.XXX): ±.010 DECIMALS (.XXXX): ±.0005 ANGLES: ±1°	TITLE 3mm BI-COLOR CBI 3 LEADED R/G RoHS COMPLIANT	
FINISH:	MATERIAL	
FSCM 83330	Dialight 1501 ROUTE 34 SOUTH FARMINGDALE, NJ 07727	
SHEET 1 OF 1		FAMILY TABLE:



ATTENTION:
OBSERVE PRECAUTIONS FOR
HANDLING ELECTROSTATIC
SENSITIVE DEVICES