



Chipsmall Limited consists of a professional team with an average of over 10 year of expertise in the distribution of electronic components. Based in Hongkong, we have already established firm and mutual-benefit business relationships with customers from,Europe,America and south Asia,supplying obsolete and hard-to-find components to meet their specific needs.

With the principle of “Quality Parts,Customers Priority,Honest Operation,and Considerate Service”,our business mainly focus on the distribution of electronic components. Line cards we deal with include Microchip,ALPS,ROHM,Xilinx,Pulse,ON,Everlight and Freescale. Main products comprise IC,Modules,Potentiometer,IC Socket,Relay,Connector.Our parts cover such applications as commercial,industrial, and automotives areas.

We are looking forward to setting up business relationship with you and hope to provide you with the best service and solution. Let us make a better world for our industry!



Contact us

Tel: +86-755-8981 8866 Fax: +86-755-8427 6832

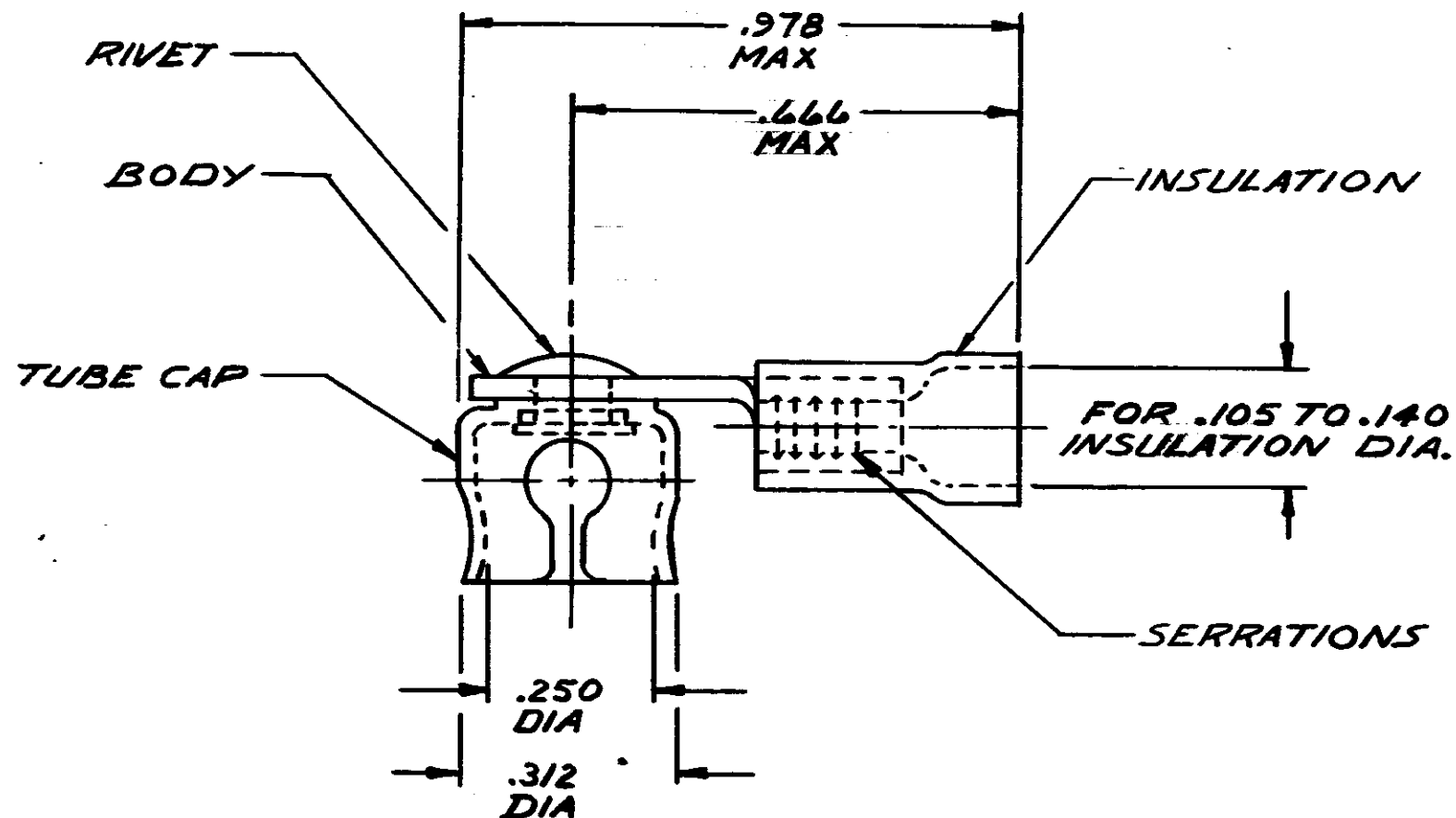
Email & Skype: info@chipsmall.com Web: www.chipsmall.com

Address: A1208, Overseas Decoration Building, #122 Zhenhua RD., Futian, Shenzhen, China



© COPYRIGHT 19 BY AMP INCORPORATED, HARRISBURG, PA.
 ALL INTERNATIONAL RIGHTS RESERVED. AMP INCORPORATED PRODUCTS
 COVERED BY U. S. AND FOREIGN PATENTS AND/OR PATENTS PENDING.

				1		LOC 9	DIST 14
REVISIONS							
P	F	ZONE	LTR	DESCRIPTION	DATE	APPROVED	
1	1		0	RELEASED PER NPS P79-0060	11/1/60	JLM	



TONGUE MATERIAL THICKNESS = .031 ± .002

BODY: COPPER (QQ-C-576) ANNEALED, TIN PLATE (MIL-T-10727)		55137-1
CLIP: COPPER/ZINC ALLOY (MIL-C-50) TIN PL (MIL-T-10727)		
RIVET: BRASS, TIN PL (MIL-T-10727)		PART NO
INSULATION: PVC, COLOR - BLACK		
MATERIAL & FINISH		
UNLESS OTHERWISE SPECIFIED DIMENSIONS ARE IN INCHES. TOLERANCES ON: DECIMALS ± ANGLES ±	CONTRACT NO	AMP AMP INCORPORATED Harrisburg, Pa.
	DR	
MATERIAL	APPD	NAME
SEE TABLE	APPD	PG TUBE CAP ASSY WIRE SIZE 22-16
FINISH	DSGN APPD	SIZE
SEE TABLE	OTHER APPD	CODE IDENT NO 00779 DRAWING NO 55137
		SCALE NTS
		SHEET 1 of 1