



Chipsmall Limited consists of a professional team with an average of over 10 year of expertise in the distribution of electronic components. Based in Hongkong, we have already established firm and mutual-benefit business relationships with customers from,Europe,America and south Asia,supplying obsolete and hard-to-find components to meet their specific needs.

With the principle of “Quality Parts,Customers Priority,Honest Operation,and Considerate Service”,our business mainly focus on the distribution of electronic components. Line cards we deal with include Microchip,ALPS,ROHM,Xilinx,Pulse,ON,Everlight and Freescale. Main products comprise IC,Modules,Potentiometer,IC Socket,Relay,Connector.Our parts cover such applications as commercial,industrial, and automotives areas.

We are looking forward to setting up business relationship with you and hope to provide you with the best service and solution. Let us make a better world for our industry!



Contact us

Tel: +86-755-8981 8866 Fax: +86-755-8427 6832

Email & Skype: info@chipsmall.com Web: www.chipsmall.com

Address: A1208, Overseas Decoration Building, #122 Zhenhua RD., Futian, Shenzhen, China



DWG. NO. SD-55 150-1605

E

D

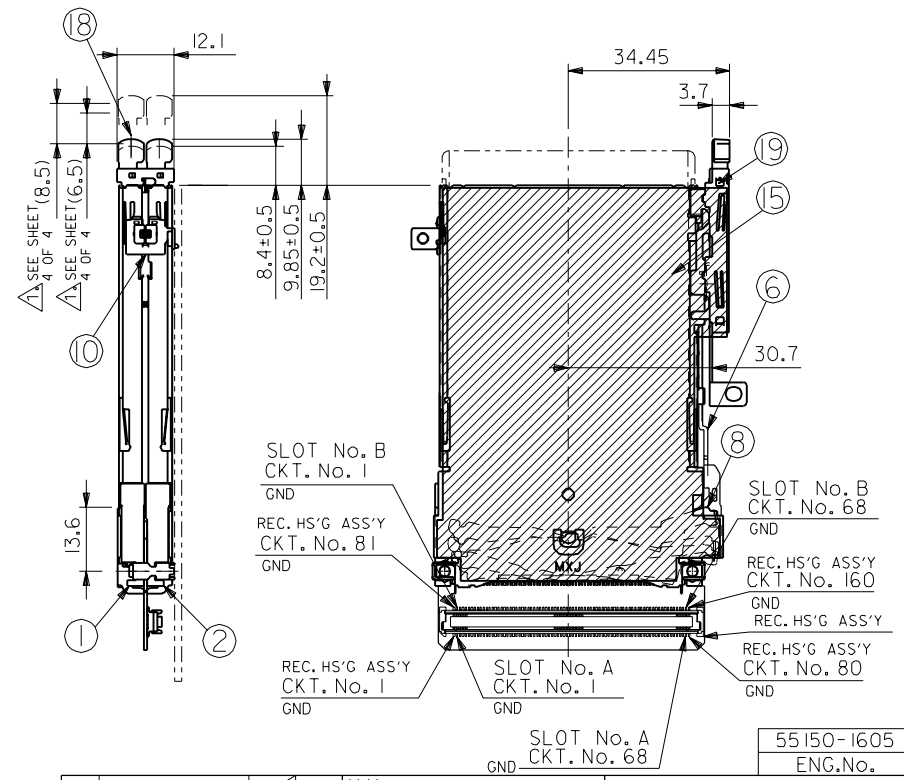
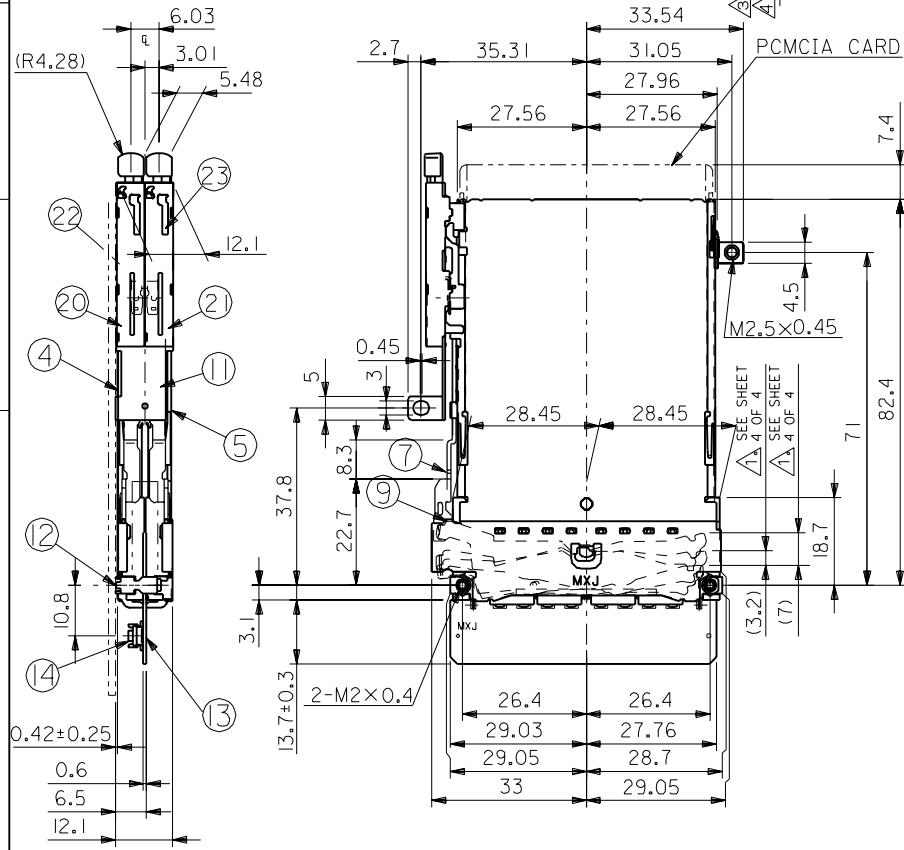
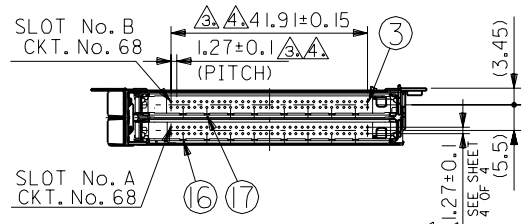
C

B

A

DIMENSIONS IN METRIC DO NOT SCALE DRAWING

NORMAL MOUNT TYPE



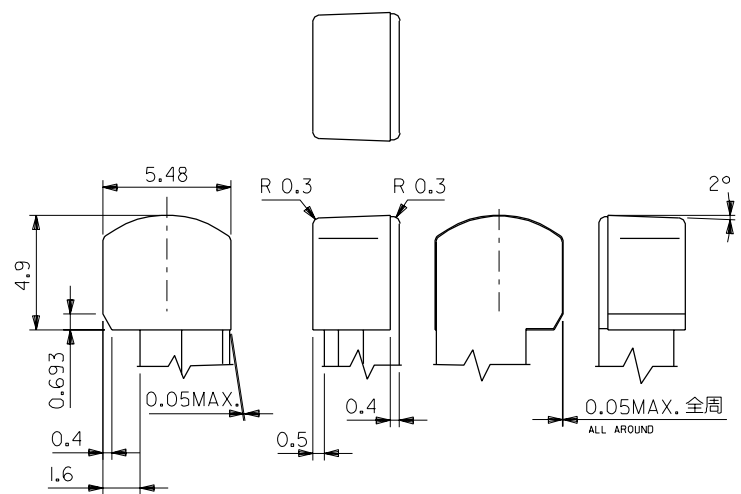
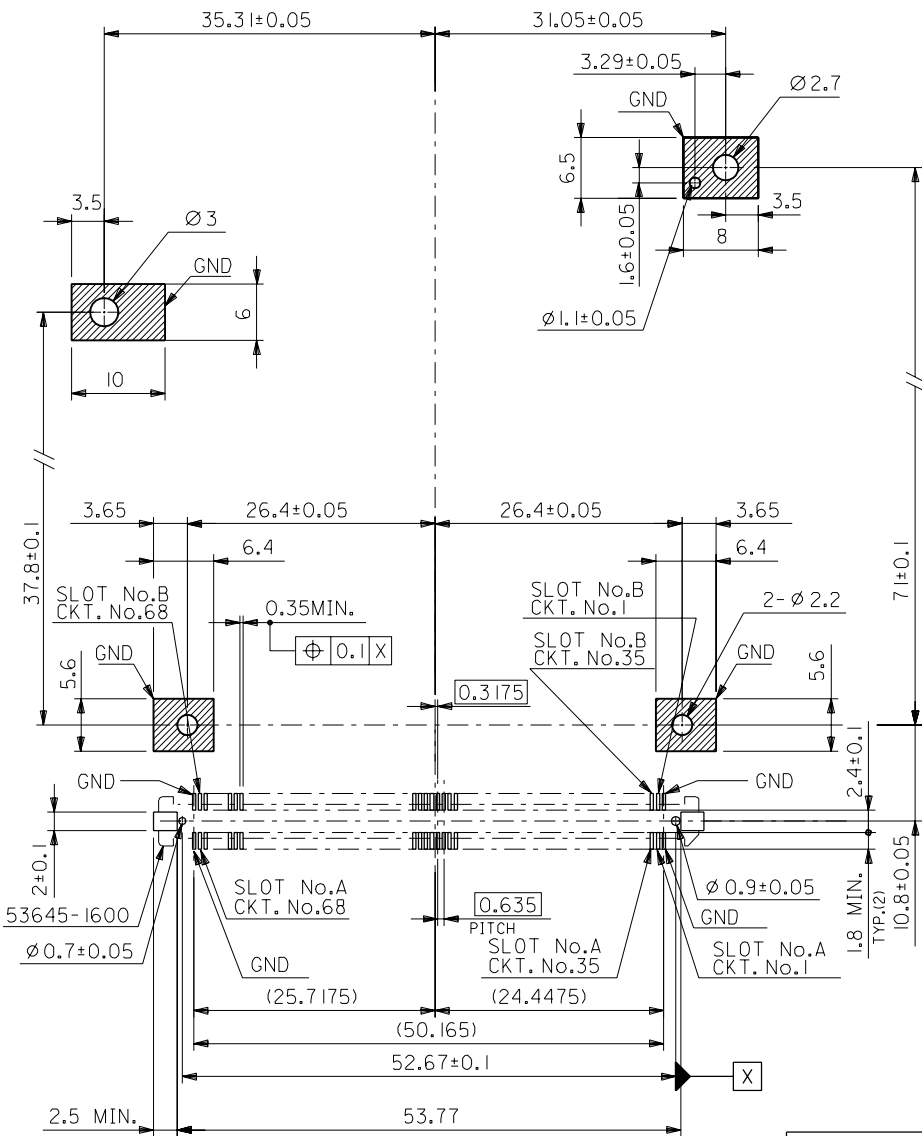
角度 ANGLE	±3°
30以上 OVER	+0.3
10以上 30未満 UNDER	+0.25
10未満 UNDER	+0.2
一般公差 GENERAL TOLERANCES	

記号 LTR	変更内容 REVISION RECORD	DR. CHK.	日付 DATE
0	新規作成 RELEASED (JD80372)	M.S	97/09/03

材料 MATERIAL	SHEET 4 OF 4 参照 SEE SHEET 4 OF 4
仕上げ FINISH	SHEET 4 OF 4 参照 SEE SHEET 4 OF 4
適用電線範囲 WIRE RANGE	—
被覆外径 INS. RANGE	—
DRAWN BY	M. Tanaka
CHK'D BY	T. Saitoh
APP'D BY	(Signature)
尺度 SCALE	1 - 1

MOLEX-JAPAN CO.,LTD. 日本モレックス株式会社	
REVISE ONLY ON CAD SYSTEM	
TITLE 名称 PC CARD CONN, EJECT MECHANISM METAL SHELL TYPE FOR CARD BUS	
DWG. NO.	SHEET 1 OF 4
SD-55150-1605	REV 0

THIS DRAWING CONTAINS INFORMATION THAT IS PROPRIETARY TO MOLEX(JAPAN) AND SHOULD NOT BE USED WITHOUT WRITTEN PERMISSION
本図面は日本モレックス(株)の所有する情報を含むもので 当社の許可なく複製を禁止する。
EN-01C(032)MXJ-32

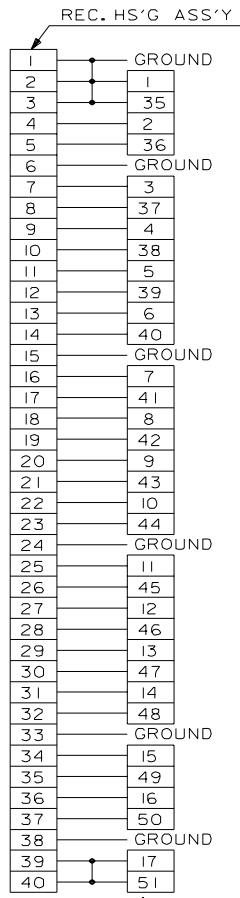


BUTTON詳細寸法：5-1
DETAIL OF BUTTON：5-1

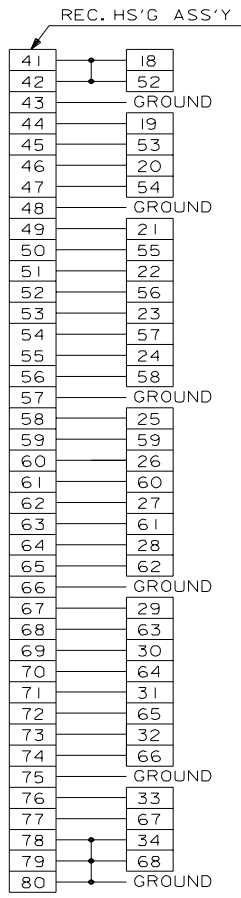
推奨基板寸法
RECOMMENDED PCB PATTERN LAYOUT

角度 ANGLE		±3°		材料 MATERIAL		molex MOLEX-JAPAN CO.,LTD. 日本モレックス株式会社	
30以上 OVER		+0.3		仕上げ FINISH		-	
10以上 30未満 OVER UNDER		+0.25		適用電線範囲 WIRE RANGE		-	
10未満 UNDER		+0.2		被覆外径 INS. RANGE		-	
一般公差 GENERAL TOLERANCES		記号 LTR		変更内容 REVISION RECORD		DRAWN BY: M. Yanaka	
		0		SHEET 1 OF 4 参照 SEE SHEET 1 OF 4		CHK'D BY: Y. Saitoh	
				DR. CHK. DATE		尺度 SCALE 2 - 1	
				DR. DATE		DWG. NO. SHEET 2 OF 4 REV	
				APP'D BY: Y. Saitoh		SD-55150-1605 0	

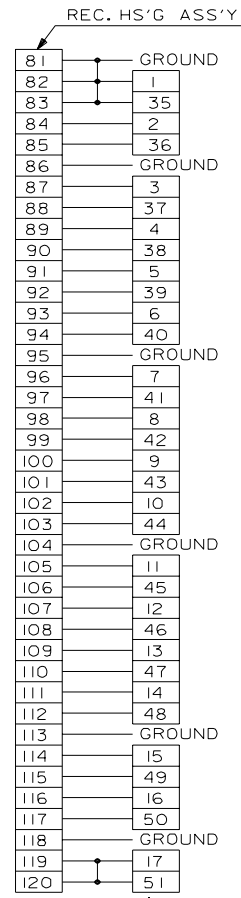
DWG. NO. SD-55150-1605



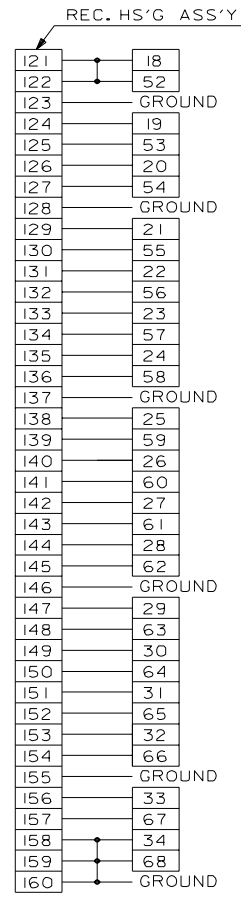
PC CARD CONN. SLOT A



PC CARD CONN. SLOT A



PC CARD CONN. SLOT B



PC CARD CONN. SLOT B

DIAGRAM A:
CIRCUIT ASSIGNMENT DWG.

材料 MATERIAL		MOLLEX MOLEX-JAPAN CO.,LTD. 日本モレックス株式会社	
仕上げ FINISH		REVISE ONLY ON CAD SYSTEM	
適用電線範囲 WIRE RANGE		TITLE 名称 PC CARD CONN. EJECT MECHANISM METAL SHELL TYPE FOR CARD BUS	
被覆外径 INS. RANGE		DWG. NO. SHEET 3 OF 4 REV	
DRAWN BY M. Tanaka		CHK'D BY Y. Saitoh	
SHEET 1 OF 4 参照 SEE SHEET 1 OF 4		DATE 97.09.03	
DR. CHK. 変更内容 REVISION RECORD		APP'D. 尺度 SCALE NONE	
一般公差 GENERAL TOLERANCES		SD-55150-1605 0	

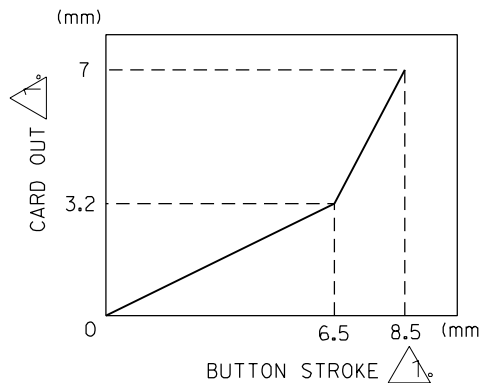
THIS DRAWING CONTAINS INFORMATION THAT IS PROPRIETARY TO MOLEX(JAPAN) AND SHOULD NOT BE USED WITHOUT WRITTEN PERMISSION
本図面は日本モレックス(株)の所有する情報を含むもので 当社の許可なく複製を禁止する。 EN-01(C032)MXJ-32

DIMENSIONS IN METRIC DO NOT SCALE DRAWING

110.033355515053.DGN

DWG. NO. SD-55150-1605

注)
 NOTES
 ボタンストロークが 6.5mmの時、カード飛び出し量は (3.2mm)。
 ボタンストロークが 8.5mmの時、カード飛び出し量は (7mm)。
 WHEN BUTTON PUSH STROKE IS 6.5mm, CARD OUT BY (3.2mm).
 WHEN BUTTON PUSH STROKE IS 8.5mm, CARD OUT BY (7mm).
 △接点部 CONTACT AREA 金めっき : 0.1 μmMIN.
 Au PLATING : 0.1 μmMIN.
 パラジウムニッケルめっき, Pd/Ni=80/20(%) 0.5 μmMIN.
 Pd-Ni PLATING, Pd/Ni=80:20(%) 0.5 μmMIN.
 半田付け部 SOLDER TAIL AREA 半田めっき, Sn/Pb=90/10(%) 2.0 μmMIN.
 Sn-Pb PLATING, Sn/Pb=90/10(%) 2.0 μmMIN.
 下地めっき UNDERPLATING ニッケルめっき : 1.5 μmMIN.
 Ni PLATING : 1.5 μmMIN.
 △ピンの倒れは、ピン根元を基準に全方向へ 0.1 MAX.とする。
 PIN TIP LEAN TOWARD ANY DIRECTION NOT TO EXCEED 0.1
 WHEN MEASURED FROM PIN BASE.
 △ピン根元に適用する。
 THIS DIMENSION TO BE MEASURED AT PIN BASE.
 △接点部 CONTACT AREA 金めっき : 0.3 μmMIN.
 Au PLATING : 0.3 μmMIN.
 下地めっき UNDERPLATING ニッケルめっき : 2.0 μmMIN.
 Ni PLATING : 2.0 μmMIN.
 △半田めっき, Sn/Pb=90/10(%) 2.0 μmMIN.
 下地めっき UNDERPLATING ニッケルめっき : 1.5 μmMIN.
 Ni PLATING : 1.5 μmMIN.



No.	品名 NAME	材料 MATERIAL	仕上げ FINISH	個数 PIECE
1	HOUSING (NORMAL)	ガラス入り耐熱樹脂 UL94V-0 色 : 自然色 LCP G.F. UL94V-0 COLOR : NATURAL	→	1
2	HOUSING (REVERSE)	ガラス入り耐熱樹脂 UL94V-0 色 : 自然色 LCP G.F. UL94V-0 COLOR : NATURAL	→	1
3	PIN	りん青銅 PHOSPHOR BRONZE	NOTES △ 参照 SEE NOTES △	136
4	METAL SHELL (FOR LEFT SIDE BUTTON)	ステンレス鋼 t 0.254 STAINLESS STEEL t 0.254	→	1
5	METAL SHELL (FOR RIGHT SIDE BUTTON)	ステンレス鋼 t 0.254 STAINLESS STEEL t 0.254	→	1
6	PUSH ROD (FOR LEFT SIDE BUTTON)	ステンレス鋼 t 0.8 STAINLESS STEEL t 0.8	→	1
7	PUSH ROD (FOR RIGHT SIDE BUTTON)	ステンレス鋼 t 0.8 STAINLESS STEEL t 0.8	→	1
8	LEVER (FOR LEFT SIDE BUTTON)	ステンレス鋼 t 0.4 STAINLESS STEEL t 0.4	→	1
9	LEVER (FOR RIGHT SIDE BUTTON)	ステンレス鋼 t 0.4 STAINLESS STEEL t 0.4	→	1
10	FRONT BRACKET	ステンレス鋼 t 0.5 STAINLESS STEEL t 0.5	→	1
11	SIDE PLATE	ステンレス鋼 t 0.5 STAINLESS STEEL t 0.5	→	1
12	REAR BRACKET	ステンレス鋼 t 0.5 STAINLESS STEEL t 0.5	→	2
13	PCB	ガラス布基材エポキシ樹脂 t 0.6 GLASS FABRIC BASE, EPOXY RESIN t 0.6	→	1
14	0.635 PITCH B-T0-B S/T REC. HS'G ASS'Y	SD-54031-1600 参照 SEE SD-54031-1600	→	1
15	INSULATION SHEET	ポリエステル t 50μm POLYESTER t 50μm	→	1
16	CARD BUS TERMINAL	りん青銅 PHOSPHOR BRONZE	NOTES △ 参照 SEE NOTES △	2
17	CARD BUS TERMINAL	りん青銅 PHOSPHOR BRONZE	NOTES △ 参照 SEE NOTES △	2
18	SLIDER	ガラス入りポリエステル UL94V-0 色 : 灰色 PBT G.F. UL94V-0 COLOR : GRAY	→	2
19	HEART CAM	ガラス入りポリエステル UL94V-0 色 : 黒色 PBT G.F. UL94V-0 COLOR : BLACK	→	2
20	SIDE COVER (FOR LEFT SIDE BUTTON)	ステンレス鋼 t 0.25 STAINLESS STEEL t 0.25	→	1
21	SIDE COVER (FOR RIGHT SIDE BUTTON)	ステンレス鋼 t 0.25 STAINLESS STEEL t 0.25	→	1
22	PIN PLATE	鋼 フッ素樹脂コーティング 8μ ~ 15μm STEEL FLUORINE RESIN COATING 8μ ~ 15μm	→	2
23	COIL SPRING	ステンレス鋼 φ 0.22 STAINLESS STEEL φ 0.22	→	2

DIMENSIONS IN METRIC DO NOT SCALE DRAWING

角度 ANGLE ±3° 30°以上 OVER +0.3 10°以上 30°未満 UNDER +0.25 10°未満 UNDER +0.2		記号 LTR 変更内容 REVISION RECORD 一般公差 GENERAL TOLERANCES	SHEET 1 OF 4 参照 SEE SHEET 1 OF 4 0	M.S. 19/09/03 DATE	材料 MATERIAL 表参照 SEE CHART 仕上げ FINISH 表参照 SEE CHART 適用電線範囲 WIRE RANGE — 被覆外径 INS. RANGE — DRAWN BY M. Yanaka CHK'D BY Y. Sarash APP'D BY (Signature) 尺度 SCALE NONE	MOLEX JAPAN CO., LTD. 日本モレックス株式会社 REVISE ONLY ON CAD SYSTEM TITLE 名称 PC CARD CONN, EJECT MECHANISM METAL SHELL TYPE FOR CARD BUS DWG. NO. SD-55150-1605 SHEET 4 OF 4 REV 0
--	--	---	--	--------------------------	---	--