



Chipsmall Limited consists of a professional team with an average of over 10 year of expertise in the distribution of electronic components. Based in Hongkong, we have already established firm and mutual-benefit business relationships with customers from,Europe,America and south Asia,supplying obsolete and hard-to-find components to meet their specific needs.

With the principle of “Quality Parts,Customers Priority,Honest Operation,and Considerate Service”,our business mainly focus on the distribution of electronic components. Line cards we deal with include Microchip,ALPS,ROHM,Xilinx,Pulse,ON,Everlight and Freescale. Main products comprise IC,Modules,Potentiometer,IC Socket,Relay,Connector.Our parts cover such applications as commercial,industrial, and automotives areas.

We are looking forward to setting up business relationship with you and hope to provide you with the best service and solution. Let us make a better world for our industry!



## Contact us

Tel: +86-755-8981 8866 Fax: +86-755-8427 6832

Email & Skype: [info@chipsmall.com](mailto:info@chipsmall.com) Web: [www.chipsmall.com](http://www.chipsmall.com)

Address: A1208, Overseas Decoration Building, #122 Zhenhua RD., Futian, Shenzhen, China



# High Current Chokes



This series is obsolete.

### Special Features

- Very high current capacity
- Low DCR
- Ferrite core
- VW-1 rated shrink tubing to cover winding
- Fixed lead spacing
- Operating temperature: -55 to +105 °C

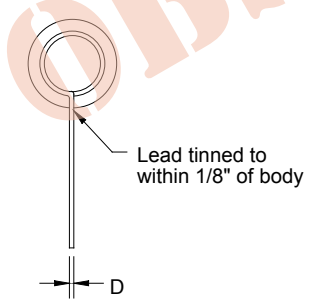
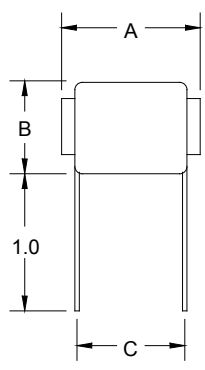
### Notes

\* Current to cause 5 % max. inductance drop or 35 °C max. temperature rise

† RoHS Directive 2002/95/EC Jan 27 2003 including Annex.

5500 Series							
Part Number	L (μH) ±20 % @ 1 KHz	DCR Ω Max.	I, DC* (A)	Dim. A Max.	Dim. B Max.	Dim. C ±.06	Dim. D ±.005
5501-RC	5	0.013	10	0.88	0.63	0.50	0.042
5502-RC	10	0.017	9	1.12	0.63	0.69	0.042
5503-RC	27	0.030	7	0.88	0.81	0.44	0.042
5504-RC	50	0.045	5.6	0.88	0.81	0.75	0.042
5505-RC	100	0.061	4.9	1.12	0.81	0.94	0.042
5506-RC	150	0.069	4.6	1.38	0.81	1.06	0.042
5507-RC	250	0.089	4	1.62	0.81	1.31	0.042
5508-RC	5	0.009	14	0.88	0.64	0.75	0.053
5509-RC	10	0.012	12	1.12	0.64	1.00	0.053
5510-RC	27	0.022	9	0.88	0.88	0.56	0.053
5511-RC	50	0.028	8	1.12	0.88	0.75	0.053
5512-RC	68	0.034	7.3	1.12	0.88	0.88	0.053
5513-RC	100	0.038	6.8	1.38	0.88	1.00	0.053
5514-RC	150	0.046	6.3	1.62	0.88	1.25	0.053
5515-RC	5	0.006	19	1.12	0.69	0.81	0.065
5516-RC	10	0.008	16	1.38	0.69	1.22	0.065
5517-RC	27	0.014	12.5	1.12	0.94	0.69	0.065
5518-RC	50	0.020	10.5	1.38	0.94	0.94	0.065
5519-RC	68	0.023	10	1.38	0.94	1.12	0.065
5520-RC	100	0.027	10	1.62	0.94	1.31	0.065
5521-RC	5	0.004	23	1.38	0.72	0.94	0.082
5522-RC	10	0.006	20	1.69	0.72	1.50	0.082
5523-RC	27	0.010	15	1.38	1.00	0.94	0.082
5524-RC	50	0.013	15	1.62	1.00	1.12	0.082

“-RC” suffix indicates RoHS compliance.



Dimensions: Inches