



Chipsmall Limited consists of a professional team with an average of over 10 year of expertise in the distribution of electronic components. Based in Hongkong, we have already established firm and mutual-benefit business relationships with customers from,Europe,America and south Asia,supplying obsolete and hard-to-find components to meet their specific needs.

With the principle of “Quality Parts,Customers Priority,Honest Operation,and Considerate Service”,our business mainly focus on the distribution of electronic components. Line cards we deal with include Microchip,ALPS,ROHM,Xilinx,Pulse,ON,Everlight and Freescale. Main products comprise IC,Modules,Potentiometer,IC Socket,Relay,Connector.Our parts cover such applications as commercial,industrial, and automotives areas.

We are looking forward to setting up business relationship with you and hope to provide you with the best service and solution. Let us make a better world for our industry!



Contact us

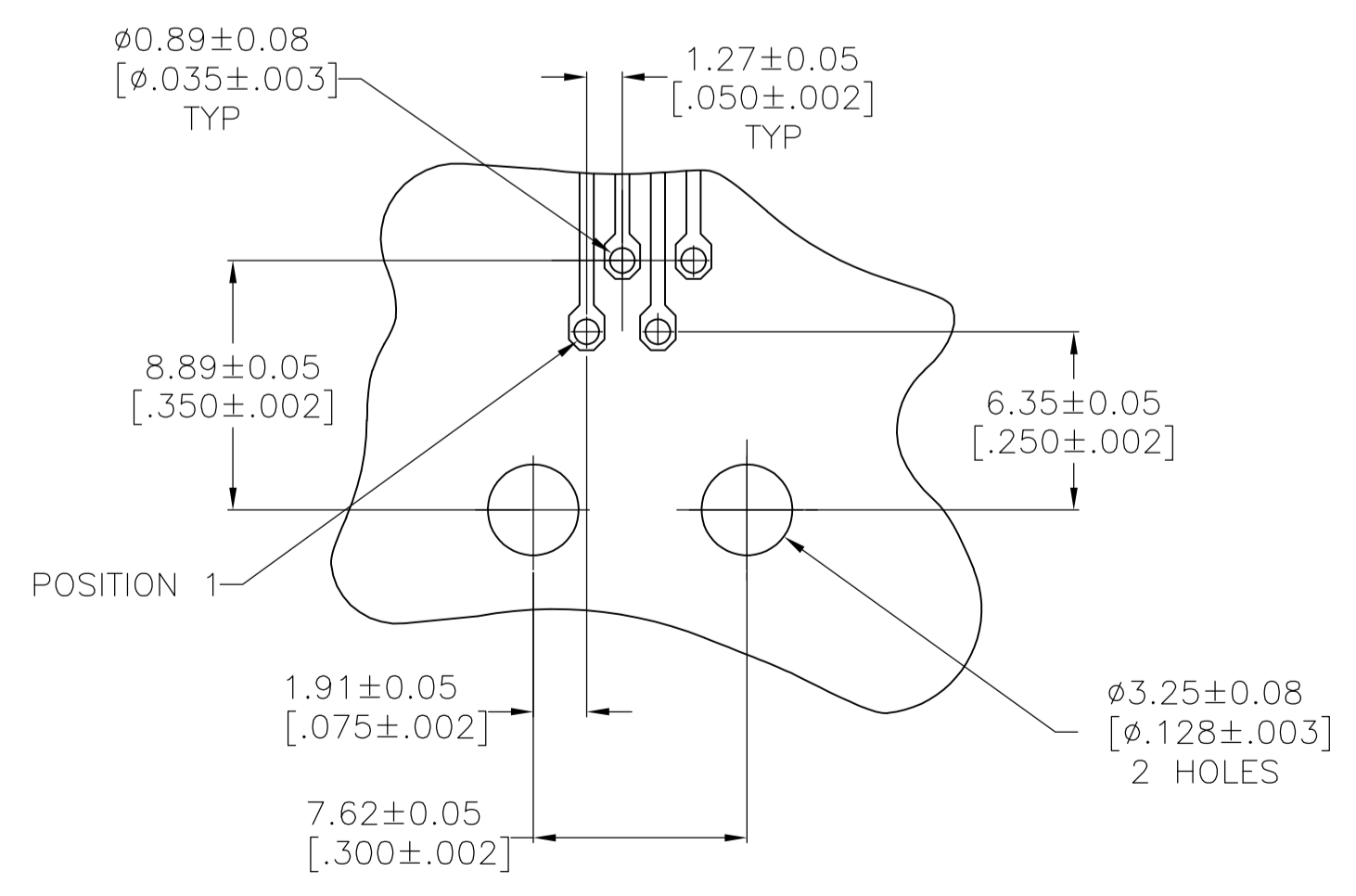
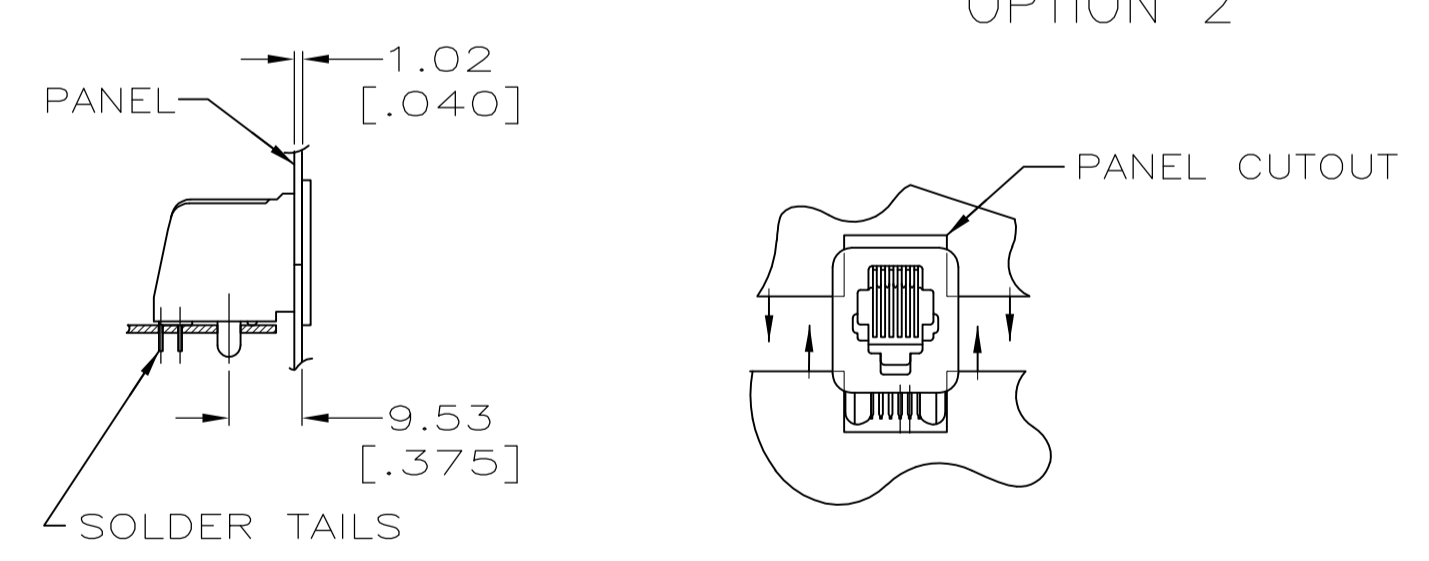
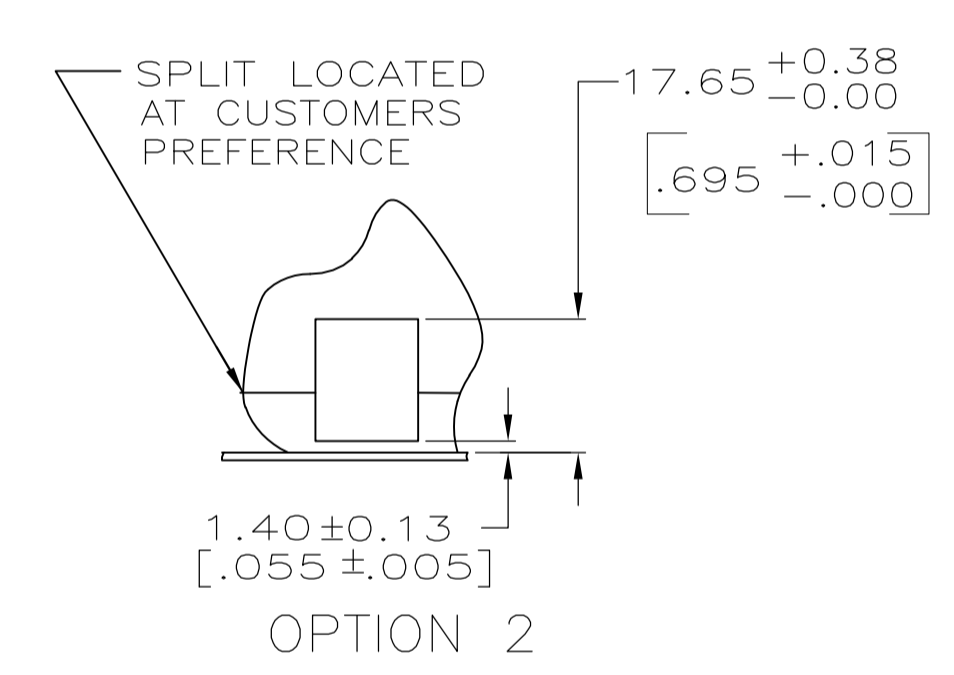
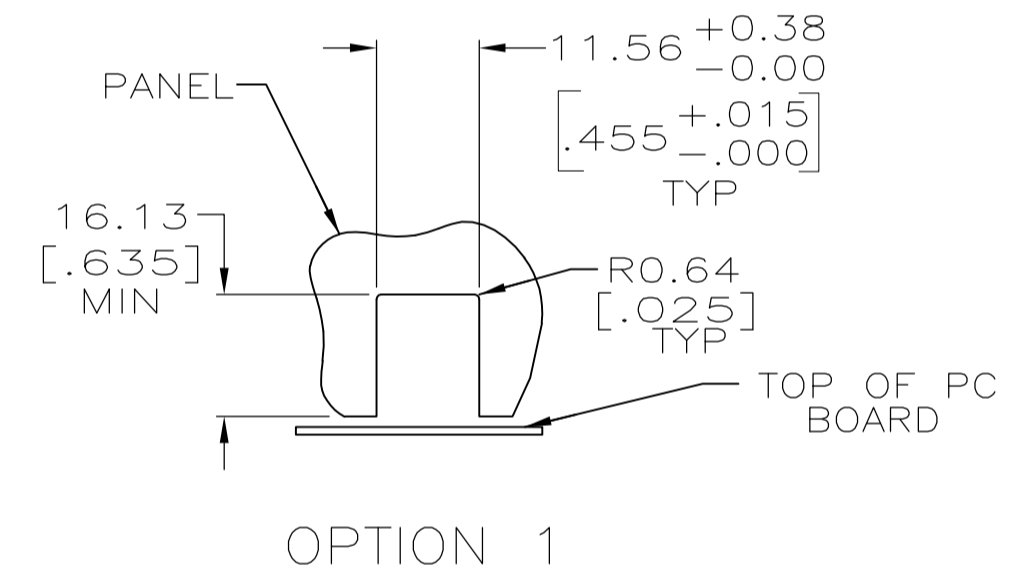
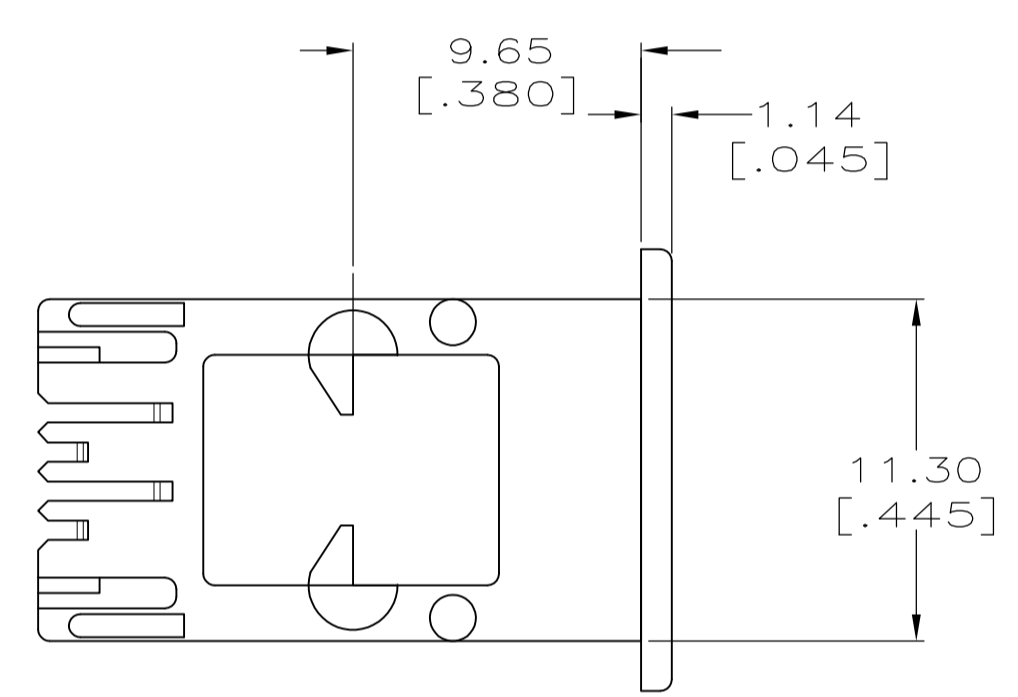
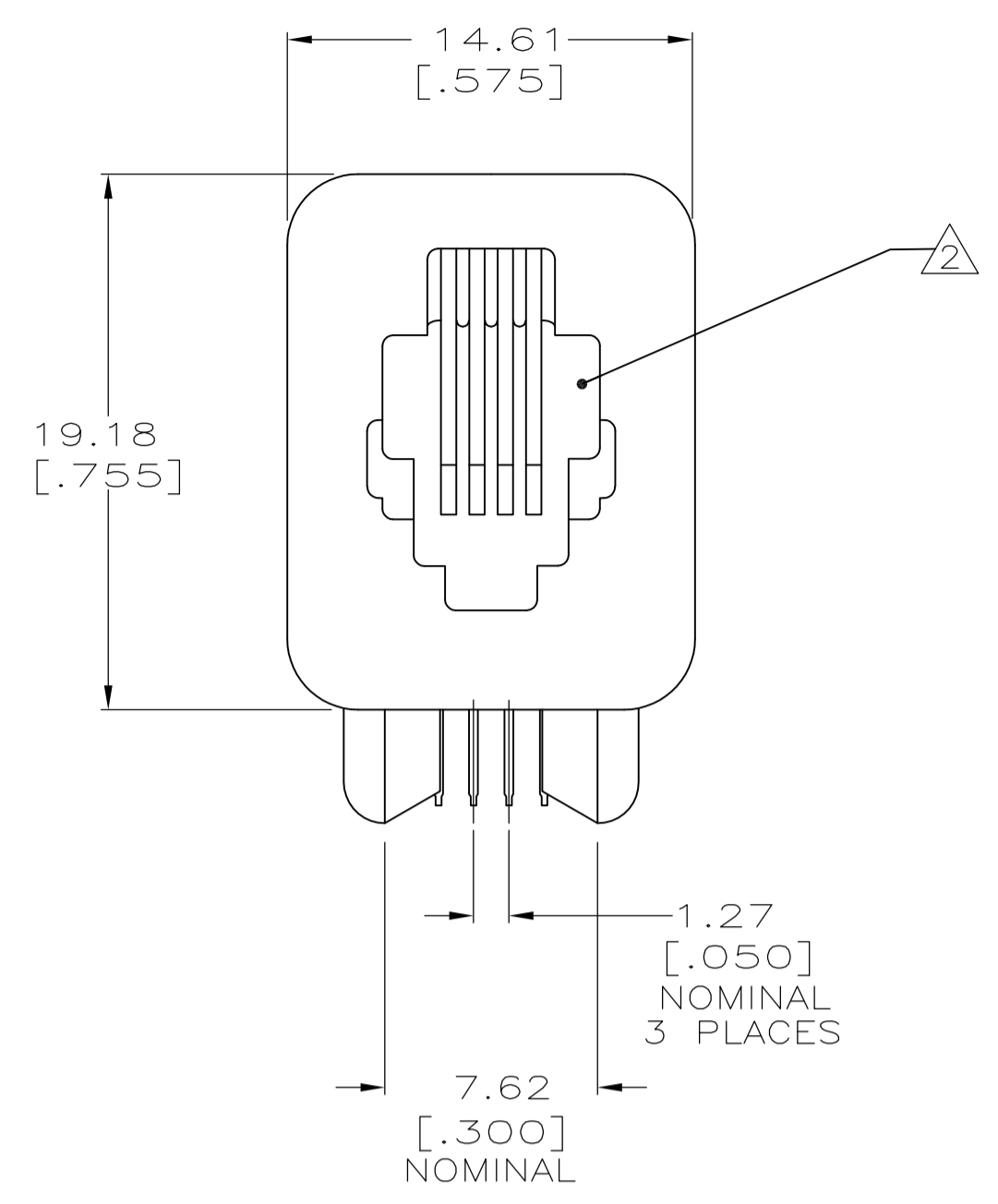
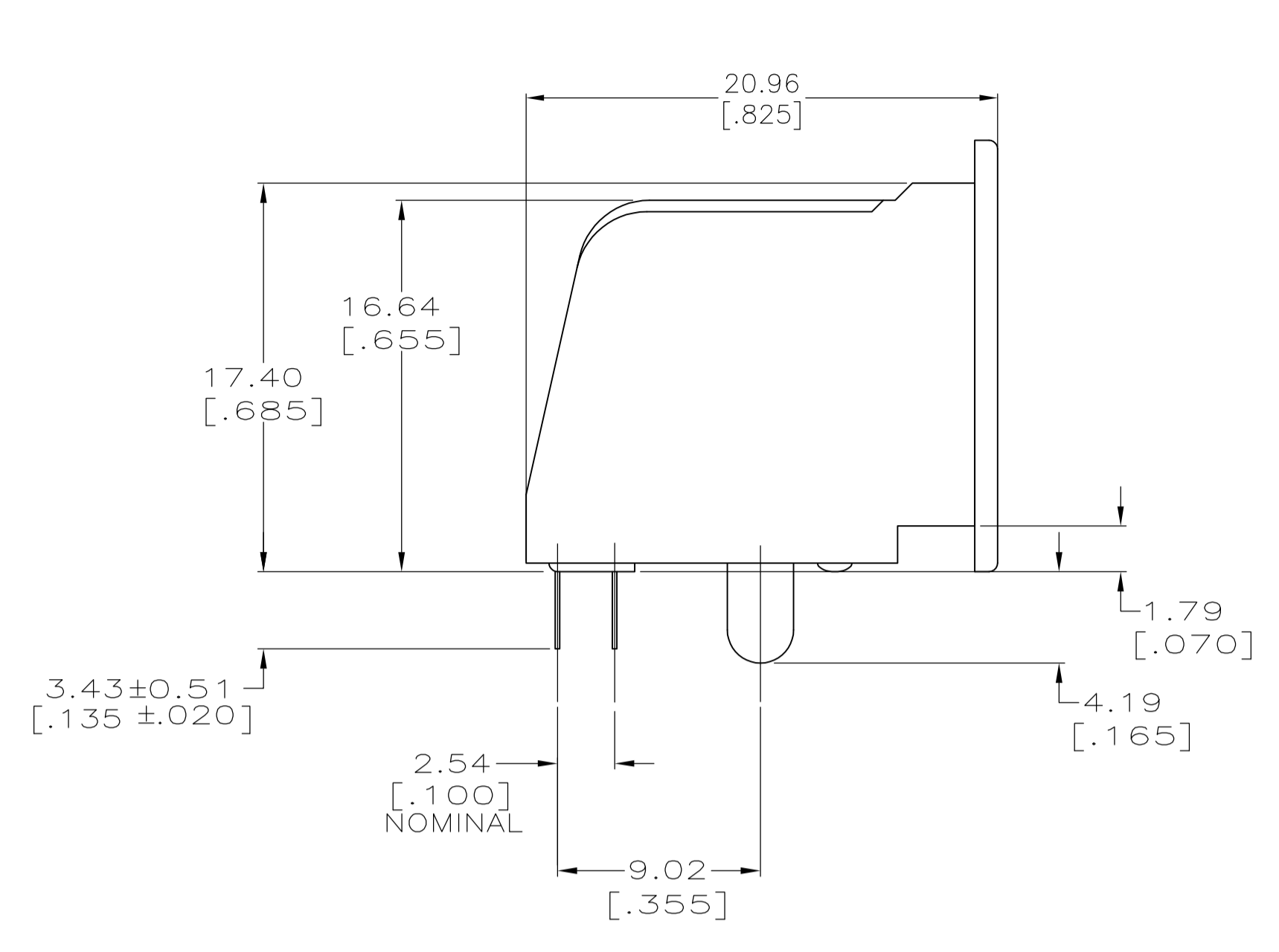
Tel: +86-755-8981 8866 Fax: +86-755-8427 6832

Email & Skype: info@chipsmall.com Web: www.chipsmall.com

Address: A1208, Overseas Decoration Building, #122 Zhenhua RD., Futian, Shenzhen, China



LOC		DIST		REVISIONS			
P	LTR	DESCRIPTION	DATE	DNW	APVD		
B		ECO-07-019669	23AUG2007	LAM	PR		



- MATERIAL: HOUSING - PBT POLYESTER
 COLOR: BLACK
 TERMINAL - 0.36 [.014] THICK
 PHOS-BRONZE PLATED WITH
 1.22 μm [.000050] MINIMUM THICK HARD GOLD IN LOCALIZED GOLD PLATE AREA AND
 3.81 μm [.000150] MINIMUM THICK MATTE TIN IN SOLDER AREA OVER 1.27 μm [.000050] MINIMUM THICK NICKEL UNDERPLATE.
- CAVITY CONFORMS TO FCC RULES AND REGULATIONS PART 68 AND REA BULLETIN 345-81, PE-76 SPECIFICATION FOR MODULAR TELEPHONE HARDWARE.
- ALL DIMENSIONS ARE MAXIMUM UNLESS OTHERWISE SPECIFIED.

5520241-2
 PART NUMBER

THIS DRAWING IS A CONTROLLED DOCUMENT.		DIN J. ALCORTA - 17JUN2005 DOCK 5		Tyco Electronics Corporation Tyco Electronics Corporation Harrisburg, Pa 17105-3608	
DIMENSIONS: mm [INCHES]		TOLERANCES UNLESS OTHERWISE SPECIFIED:		APVD S. FLICKINGER 17JUN2005 NAME	
0 PLC ± -		1 PLC ± -		PRODUCT SPEC 108-1163	
2 PLC ± -		3 PLC ± -		APPLICATION SPEC 114-2048	
4 PLC ± -		ANGLES ± ± ±		SIZE CAGE CODE DRAWING NO RESTRICTED TO	
MATERIAL SEE NOTE 1		FINISH SEE NOTE 1		WEIGHT - A1 00779 C=5520241	
		CUSTOMER DRAWING		SCALE 1:1 SHEET 1 OF 1 REV B	